

AQUAPIX®

W2024 SPLASH



UNDERWATER CAMERA

User Manual

FR : Un manuel dans votre langue est disponible sur Internet:

IT: Il manuale nella sua lingua può essere trovato su Internet:

ES: Puede encontrar un manual en su idioma en Internet:

PT: Um manual em seu idioma pode ser encontrado na Internet:

PL: Instrukcję w swoim języku możesz znaleźć na stronie:

SV: En handbok på ditt språk finns på Internet:

NL: Een handleiding in uw taal vindt u op internet:

bit.ly/3m65zBc



Table of content

Retaining instructions	3
Explanation of safety warnings.....	3
Product introduction.....	4
Intended use	4
Restrictions	5
Safety instructions	5
Operating environment.....	7
Using the camera.....	8
Description of the product	9
Description of the product display.....	10
First steps: Preparing the camera for first use	12
1. Battery installation	13
2. Format your memory card.....	14
Switching the camera on/off	15
Camera modes.....	15
Photo mode.....	17
Video mode.....	18
Playback mode	19
Button functions.....	19
Playback mode icons.....	21
Camera settings	23
Time and date settings.....	24
Transferring files from camera to computer	25
Cleaning	27
Box contents.....	27
Technical specifications	29
Disposal	30
Declaration of conformity	31

Disclaimer

Easypix makes no representations or warranties with respect to this manual and, to the maximum extent permitted by law, expressly limits its liability for breach of any warranty that may be implied to the replacement of this manual with another. Furthermore, Easypix reserves the right to revise this publication at any time without incurring an obligation to notify any person of the revision.

Easypix is not responsible or liable for misuse of the information that is contained herein. If you have any suggestions for improvements or amendments or have found errors in this publication, please notify us.

All pertinent state, regional, and local safety regulations must be observed when installing and using this product. For reasons of safety and to help ensure compliance with documented system data, only the manufacturer shall perform repairs to components.

Failure to observe this information can result in injury or equipment damage.

Copyright © by Easypix GmbH

All rights reserved. No part of this publication may be reproduced, distributed, or transmitted in any form or by any means, including photocopying, recording, or other electronic or mechanical methods, without the prior written permission of the publisher. For permission requests, please write to the publisher below.

Easypix GmbH, Em Parkveedel 11, 50733 Köln, Germany
support@easypix.eu • www.easypix.eu

Retaining instructions

Read this manual and its safety instructions before using this product. Follow all the instructions. This will avoid fire, explosions, electric shocks or other hazards that may result in damage to property and/or severe or fatal injuries.

The product shall only be used by persons who have fully read and understand the contents of this user manual.

Ensure that each person who uses the product has read these warnings and instructions and follows them.

Keep all safety information and instructions for future reference and pass them on to subsequent users of the product.

The manufacturer is not liable for cases of material damage or personal injury caused by incorrect handling or non-compliance with the safety instructions.

Explanation of safety warnings



WARNING

Warning indicates a hazard with a medium level of risk which, if not avoided, could result in serious injury.

NOTICE

Indicates information considered important, but not hazard-related.

Product introduction

The Aquapix W2024 ‘Splash’ is a high quality digital still and video camera.

Waterproof to 3M and featuring a 10MP sensor, it captures photos up to 16MP resolution and high definition 720p video.

Powered by 2x AAA batteries (not included) W2024 ‘Splash’ utilizes a full colour 2.4” display and 8x digital zoom to ensure your photos and videos are framed and captured as required.

Intended use

This product is intended for use anywhere photos or videos are taken. It’s 3m waterproof rating means it can also be completely submerged and used under water.

NOTICE

WATERPROOF AND DUSTPROOF PERFORMANCE

The waterproof and dustproof performance described do not guarantee that the camera will remain completely waterproof or free from damage and trouble under all conditions.

Do not subject the camera to excessive shock, vibration or pressure by dropping it, hitting it or placing a heavy object on it.

Failure to observe this precaution could deform the camera, cause water to seep inside, or damage the airtight seals, resulting in camera malfunction.

Restrictions



WARNING

The product is not suitable for children under 3 years because of choking hazard.

- Contains small parts, in order to avoid swallowing, please ensure any use by children is undertaken with adult supervision.
- The camera is suitable for use underwater to a maximum depth of 3 metres. Do not use the camera at depths exceeding 3 metres.
- Do not use your camera in hot springs, hot tubs or jacuzzis where it can be exposed to extreme water temperature.

Safety instructions



WARNING

This product is only suitable for the purpose described, the manufacturer is not liable for damage caused by abnormal use.



WARNING

Please read this instruction manual carefully before use, and ensure the batteries are installed correctly.

- Do not leave the camera in a high or low temperature environment for a prolonged period of time.
- Keep the camera out of the reach of small children.
- No special maintenance is required during use. Please contact the seller or manufacturer if your device displays a fault.
- Please dispose of the waste and residues at the end of the service life of the product according to local laws and regulations.



WARNING

- If you think this product is damaged in any way, please do not use the product.
- Do not open this product without permission.
- Contains small parts, in order to avoid swallowing, please ensure any use by children is undertaken with adult supervision.



WARNING

BATTERIES

- Insert the batteries and memory card before using the camera underwater. Take care to ensure that all flaps and covers are closed and that no water can penetrate the camera. If this happens, turn off the camera and do not use it underwater.
- Never open the battery compartment under water. If moisture appears on the lens during use, it may be leaking. Remove the batteries and the memory card and return the camera to your

dealer for repair.

- Please remove the batteries if the camera is not going to be used for an extended period of time.



WARNING

- To avoid the risk of electric shock, do not insert the power cord with wet hands. The battery compartment should only be opened with clean, dry hands to also ensure that no dirt enters the camera when inserting, changing or removing the batteries or SD card.
- In order to prevent product damage or negatively affecting the sound or image quality, please ensure a sufficient distance is maintained from objects that generate strong magnetic fields or radio waves, such as electrical appliances.
- In the unlikely event of overheating, smokes or unpleasant odors coming from the unit, disconnect it immediately from the charging cable and remove the battery to avoid a fire.

Operating environment

- Do not expose the device to abnormally high or low temperatures.
- Store the device cool (at room temperature) in a dry and dust-free location and never expose the product to high temperatures or direct sunlight.
- Always protect your camera from falls, shock and impact.

Using the camera

As your camera is waterproof, it can be used under water while playing and swimming etc.

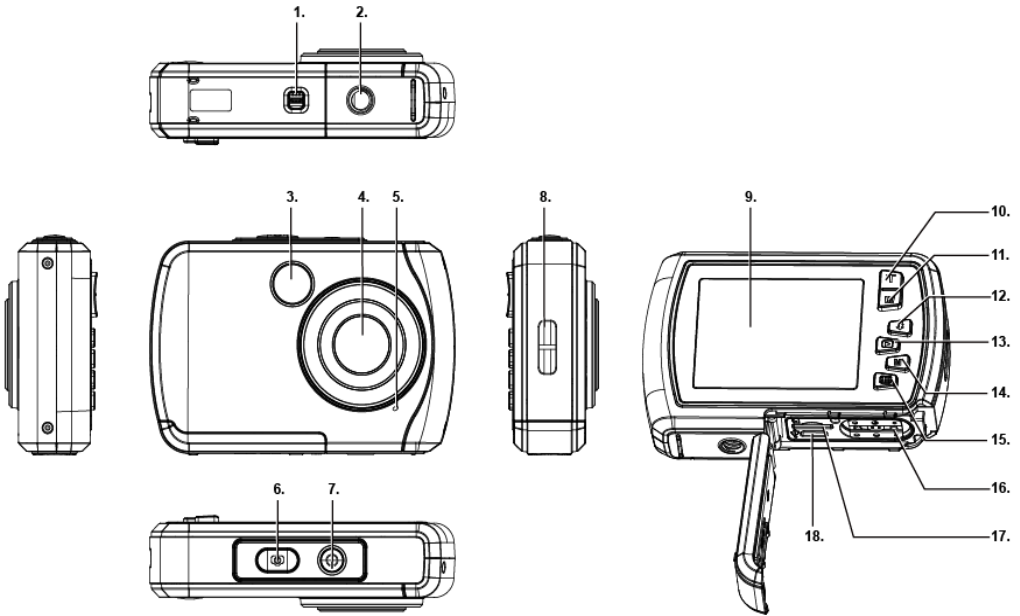
To prevent it from sinking or getting lost in the water, you can attach the included wrist strap to the camera before entering the water.

To prevent damage please ensure that you do not open the camera while in the water.

After use in swimming pool water or sea or lake salt water, please rinse it with clean tap water and wipe dry before opening the battery compartment.

The cameras default settings are optimised for most circumstances enabling you to take photos or videos immediately after inserting a memory card and switching it on.

Description of the product



- 1. Battery door lock
- 2. Tripod connection
- 3. Flash
- 4. Lens
- 5. Microphone
- 6. Shutter button
- 7. Power button
- 8. Wrist strap tether
- 9. Display

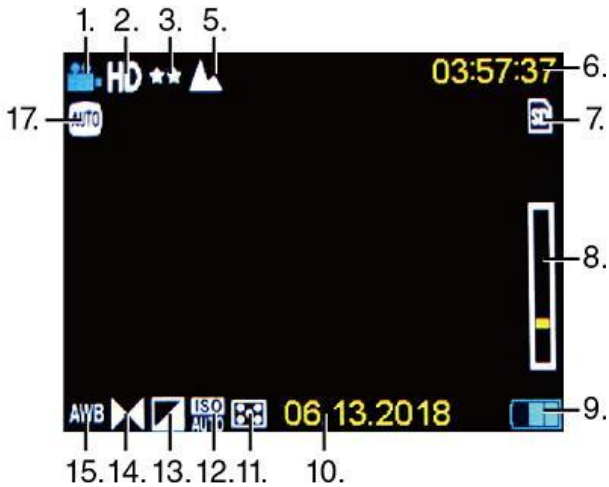
- 10. UP / ZOOM IN (T) button
- 11. DOWN / ZOOM OUT (W) button
- 12. RIGHT / FLASH LIGHT button
- 13. LEFT / PLAYBACK button
- 14. MODE button
- 15. MENU / SET button
- 16. Battery compartment
- 17. MicroSD card slot
- 18. USB interface

Description of the product display

PHOTO MODE



VIDEO MODE



	Function	Set by
--	-----------------	---------------

1	Camera mode	Mode button
2	Image Resolution	Menu / options
3	Image Quality	Menu / options
4	Anti-shake	Menu / options
5	Landscape	Menu / options
6	Nr. of photos that can be taken	Not adjustable
7	Memory card	Micro SD confirmation
8	Zoom bar	T/ W buttons
9	Battery power	Power remaining
10	Current date	Menu / options
11	Metering	Menu / options
12	ISO value	Menu / options
13	Light exposure	Menu / options
14	Sharpness	Menu / options
15	White balance	Menu / options
16	Flash mode	Flash button
17	Scene	Menu / options

First steps: Preparing the camera for first use

NOTICE

Opening and Closing the battery compartment:

Always ensure the camera and your hands are

dry.

Ensure that there is no debris inside the battery-chamber or memory card slot.

Always ensure that the battery cover is firmly closed and the security lock is in the lock position before using the camera.

1. Battery installation

- Move the Lock/Unlock Switch on the battery cover to the unlock position
- Open the battery cover by pushing it in the direction of the arrow



- Install 2x AAA (1.5V) batteries ensuring the correct polarity - see fig.3.
- Close the battery cover and push the Lock/ unlock switch to the Lock position.

NOTICE



Batteries and electronic equipment should be disposed of in accordance with applicable local regulations, and you should not throw them into household garbage to avoid irreversible pollution.

2. Format your memory card

NOTICE

To ensure the optimal functioning of your camera, please note the following important information:

- Before using any micro SD card in your camera for the first time, please ensure your memory card is formatted in the camera. This option can be found in the camera's settings menu. (Menu > SD > Format).
- The maximum memory card capacity supported is 32GB. Use of memory cards exceeding the maximum recommended capacity may result in file errors.
- The recording time varies depending on the resolution selected.

Memory Card installation (MicroSD Card of Class 4 or higher)

1. Ensure the camera is turned off
2. Open the battery / memory card cover as described above

3. Insert a Micro SD card into the memory card slot in the direction indicated near the card slot.
4. Push the Micro SD card until you hear a slight clicking sound, which confirms the SD card is correctly installed.
5. Close the battery cover and push the Lock/ unlock switch to the Lock position.

Switching the camera on/off

SWITCHING ON THE CAMERA

Press the Power button to power on the camera.

The TFT screen turns on with the camera in Photo Capture Mode (the default mode).

SWITCHING OFF THE CAMERA

While the camera is on, short press the Power button to switch the camera off.

Note: Your camera has an auto-off function. The camera will automatically switch off when it is left idle for a period of time – this is adjustable in the 'Auto Power Off' menu.

Camera modes

There are 3 camera modes: Photo, Video and Playback.

The mode icon is displayed in the top-left corner of the TFT screen.

Photo mode is the default mode when the camera is switched on.

You can change the camera mode by pressing the Mode (M) button.



When in Photo Mode, the photo icon will display on the top-left corner of the TFT screen.

Use this mode to capture photos. To take a picture, point your camera as required and press the Shutter button.

The photo is automatically saved to your camera's memory card.

To access the various menus for the Photo mode, press the Menu button while in the Photo mode.



When in Video Mode, the Video icon will display on the top-left corner of the TFT screen.

Use this mode to capture videos. To take a video, press the Shutter button to start recording.

A red record indicator appears and flashes on the TFT screen while the recording is in progress.

To stop recording, press the Shutter button again. The video is automatically saved to your camera's memory card.

To access the various menus for the Video mode, press the MENU button while in the video mode.



When in Playback Mode, this icon will display on the top-left corner of the TFT screen.

You can use the Left/ Right buttons to scroll through and view the photos and videos that you have previously taken. You can also delete

or edit them as desired.

To access the various menus for the Playback mode for photos and videos, press the MENU button while in the Playback mode.

NOTE:

You can also press the PLAYBACK button to enter the Playback mode directly.

Photo mode



1. After switching on, the camera will be in photo mode and ready to take photos.

2. You can press the Mode button (M) to change to photo mode. The camera mode is displayed at the top-left corner on the TFT screen.
3. Use the T (zoom in) or W (zoom out) buttons to zoom in/ out as required.
4. Hold the camera steady and press the Shutter button. The photo is taken and saved to the memory card.

NOTE: When you see the “Card Full” message on the screen, the memory card has run out of capacity.

You must therefore download and save the images stored on the card to a computer in order to free up memory card capacity for further use.

Alternatively you can simply insert a new memory card, ensuring it is formatted in the camera before first use.

Video mode

1. Press the M (Mode) button to switch to video mode.
2. Use the T (zoom in) or W (zoom out) buttons to zoom in/ out.
3. Press the Shutter button to start recording. A red recording indicator flashes on the TFT screen to confirm recording is in progress.
4. Press the Shutter button again to stop recording. The video recorded is automatically saved to the memory card.

Playback mode

1. Press the Playback button to enter the playback mode.
The last image (photo or video) is displayed on the screen.
2. Press the Left (previous image) or Right (next image) buttons to scroll through the all images.
3. “JPG” appears under the Mode icon to indicate that the displayed image is a photo.
“AVI” appears under the Mode icon to indicate that the displayed image is a video.

When the displayed image is a video, press the Shutter button to start video playback. Press again the Shutter to pause the video. Press the Left button to quit playback.

Button functions

Some buttons have one single function however other buttons have multiple functions depending on the current operating mode.

The table below outlines the various button functions:

Button	Photo mode	Video mode	Photo playback mode	Video playback mode
Shutter	Take a photo	Start / Stop recording	----	Start and pause video playback
T (Tele)	Zoom in	Zoom in	Zoom in	----
W (Wide)	Zoom out	Zoom out	- Zoom out - To activate photo thumbnail	To activate thumbnail image view

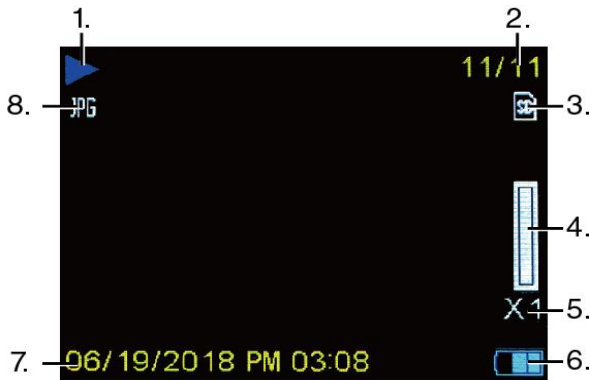
			view	
Flash / Right	Select the flash option: Force off, Force on, Auto, Red eye reduction	----	- Next photo - Shift right	Next video
Playback / Left	----	----	- Previous photo - Shift left	- Previous video - Stop a video playing
Mode	- Change mode - Exit menu	- Change mode - Exit menu	Exit playback mode and return to previous mode	Exit playback mode and return to previous mode
Menu	- Set menu - Confirm a settings menu option			

NOTE: Button operation is disabled during the recording or playback of a video.

Playback mode icons

The following status icons are displayed when reviewing photos or playing video.

PHOTO PLAYBACK MODE



1	Camera mode
2	Current image no. / Total quantity
3	Memory card
4	Zoom bar
5	Magnification factor
6	Battery power
7	Date / time stamp
8	Current image format

VIDEO PLAYBACK MODE ICONS

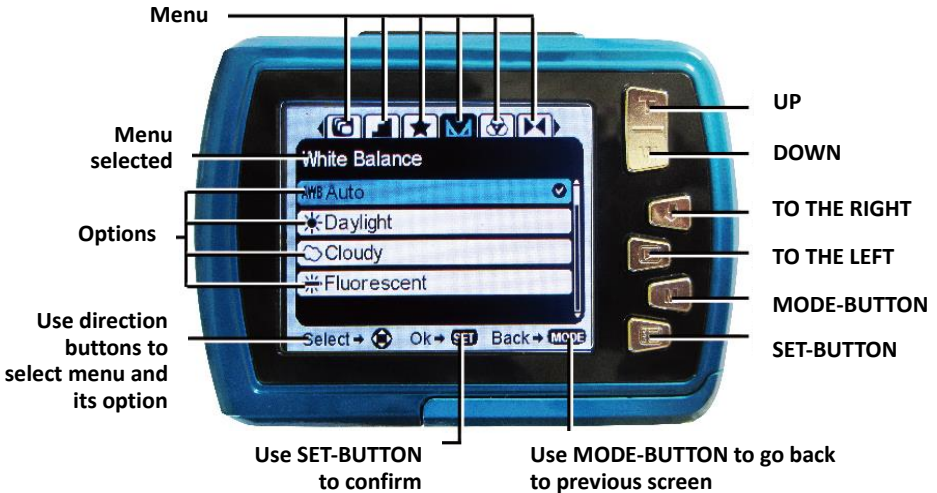


1	Playback mode
2	Resolution
3	Current image no. / Total quantity
4	Memory card
5	Battery power
6	Playback time counter
7	Press shutter button to play
8	Current file format

NOTE: You can hide the icons on screen by pressing the Mode button for 2 seconds. Short press the Mode button to make the settings visible again.

Camera settings

Each camera mode has a set of menu options specific to that mode. To select a menu and option please use the buttons as indicated below:



1. Press the Set button to open the menus for the current mode.
2. Press the Left or Right direction control button to scroll through the various menus for the current mode.
3. Press the Up (T) or Down (W) direction control buttons to highlight a menu option.
4. Press the Set button to confirm and save the highlighted menu option.

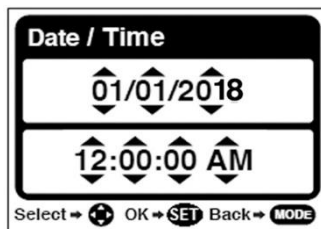
5. If the selected option can be remembered by the camera, a selection icon will appear to the right of the selected menu option.

Changes made to these options remain saved until you decide to change them again at a later time, or restore the camera to factory default settings.

Note: Some menu options are single-use functions that are not stored by the camera and therefore do not display this icon when selected.

At any time you can press the Mode button to exit the menus and return to the previous screen

Time and date settings



1. In photo mode or video mode press the Set button to enter the settings options.
2. Press the Left or Right button to scroll to and select the 'Date/Time' menu.
3. Press the Up or Down button to highlight the 'Date Setup' menu option, then press the Set button to select it. The 'Date Setup' sub-menu will open as the image above.
4. Scroll through the window with the Right and Left buttons.

5. For each field in the menu, use the Up and Down buttons to set the date and time.
6. When you have finished setting the date and time, press the Menu button to save your settings and return to the previous mode.

Transferring files from camera to computer

NOTICE

Disconnect all other USB-powered devices from the computer. Connecting the camera and other USB-powered devices to the same computer simultaneously may cause a camera malfunction or excessive power supply from the computer, which could damage the camera or memory card.

WINDOWS:

1. Use the USB cable that came with your camera to connect your camera to your computer.
2. Turn on the camera.
3. MSDC appears on the TFT screen.
4. A window appears with a list of options. Select “Open folder to view files” and click OK.
5. Open the DCIM folder and the folder inside to view the media files.
6. Select the media and copy the files from this folder into your computer.

Alternatively, select the files and choose Copy from the Edit menu.

Then select a folder and choose Paste from the Edit menu.

7. Do not disconnect the cable during transfer.
Doing so will cancel the current transfer of any files to your computer.
8. When finished, ensure the camera's connection with Windows is properly terminated before disconnecting the cable.

MAC:

1. Use the USB cable that came with your camera to connect your camera to your computer.
2. Turn on the camera.
3. MSDC appears on the LCD.
4. The camera's device icon appears on the desktop.
5. Click on the device icon and open the DCIM folder and the folder inside to view the media files.
6. Select the files and drag them to your computer. Alternatively, select the files and choose Copy from the Finder's Edit menu. Then select a folder and choose Paste from the Edit menu.
7. Do not disconnect the cable during transfer. Doing so will cancel the current transfer of files to your computer.
8. When finished, ensure the device icon is dragged to the bin before disconnecting the cable.
9. Alternatively, right click and select the 'Eject....' Option.

Cleaning

- After use in water, turn off the camera, ensure the battery compartment is tightly closed, and rinse the camera with fresh water within 30 minutes.
- The best cleaning method is to immerse the camera in a basin of fresh water for 10 minutes.
When the camera is immersed in water, air bubbles may be seen coming from the water drain holes of the camera such as openings in the microphone or speakers. This is not a malfunction.
- Do not use soap or detergents, as they could negatively affect the integrity of the waterproof seals on the camera.
- Allow the camera to dry at room temperature after rinsing.

Box contents

- **Camera**
- **Hand strap**
- **USB cable**
- **Manual EN/DE**

Manuals in further languages are available for download at www.easypix.info/download-manuals/download/w2024/

Technical specifications

*by interpolation

Waterproof	Up to 3m
Image Sensor	5MP CMOS sensor
Image Resolution	16M (4608x3456)*, 14M (4416x3312)*, 12M (4000x3000)*, 10M (3648x2736)*, 8M (3264x2448)*, 7M (3648x2048)*, 5M (2592x1944), 3M (2048x1536), 2M (31920x1080), VGA (640x480)
Video Resolution	HD 720P (1280x720), VGA (640x480), QVGA (320x240)
File Format	JPEG (Photo), AVI (Video)
External Memory	Compatible with MicroSD Cards up to 32GB (not included)
LCD Display	2.4" / 6.1cm Colour display
Lens	F/2.8, f=6.8mm
Zoom	8x digital zoom
Exposure	-3.0EV ~ +3.0EV
White Balance	Auto, Daylight, Cloudy, Fluorescent, Incandescent
ISO	Auto, 100, 200, 400
Flash	Off, On, Auto, Red Eye Reduction
Self-Timer	2 sec, 5 sec, 10 sec, Off
Auto Power Off	1 min, 3 min, 5 min, 10 min, Off
Microphone	Built-in
USB Interface	USB
Battery	2x AAA (1.5V) batteries required (not included)

Working Temperature	0~45°C
---------------------	--------

Disposal



Dispose of packaging

For disposal, separate packaging into different types. Cardboard and board must be disposed of as paper and foil must be recycled.



Séparez les éléments avant de trier

IMBALLAGGIO ESTERNO PAP 22 Cartone carta	IMBALLAGGIO INTERNO PAP 22 Cartone carta
RACCOLTA DIFFERENZIATA	Verifica le disposizioni del tuo Comune. Svuotare l'imballaggio. Conferisci in raccolta il contenitore vuoto.



Disposal of Waste Electrical and Electronic Equipment and/or Battery by users in private households in the European Union.

This symbol on the product or on the packaging indicates that this cannot be disposed of as a household waste. You must dispose of your waste equipment and/or battery by handling it over to the applicable take-back scheme for the recycling of electrical and electronic equipment and/or battery. For more information about recycling of this equipment and/or battery, please contact your city office, the shop where you purchased the equipment or your household waste disposal service. The recycling of materials will help to conserve natural resources and ensure that it is recycled in a manner that protects human health and environment.

Declaration of conformity



We hereby declare that the CE marking has been affixed to this product in accordance with the essential requirements and relevant provisions of the European directives.

The declaration of conformity can be downloaded here:
www.easypix.info/download/pdf/doc_w2024.pdf