

easyDix®

500 DIAMOND

Manual

1. Get to know your camera

1.1 Features

- 5.0 Mega pixels resolution sensor
- Video clips
- Web camera
- Built-in flash Light
- TV output
- 2.4" LTPS real color display
- Internal 16MB flash memory and SD card support
- Driver free for Windows XP/Vista and MAC 9.x and X.x
- Macro mode

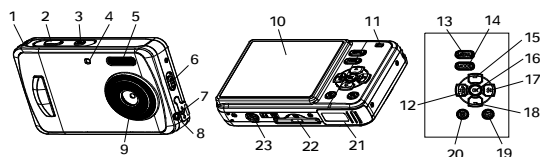
1.2 Specifications

Sensor	5.0 Mega pixel CMOS sensor
Image resolution	12.0 Mega pixels: (4032x3024) (Hardware Interpolation)
	8.0 Mega pixels: (3264x2448) (Hardware Interpolation)
	5.0 Mega pixels: (2560x1920)
Lens	3.0 Mega pixels: (2048x1536)
	1.3 Mega pixels: (1280x960)
	300K pixels: (640x480)
Focus range	F/2.8 f=8.5mm
Macro mode	0.5m. ~ Infinity
Digital zoom	11cm – 18cm
Flash strobe	8x
LCD display	Built-in (Auto/force/off)
White balance	2.4" real color LTPS TFT
Video mode	Auto/Daylight/cloudy/Tungsten/Fluorescent
Built-in memory	30fps@QVGA & 20fps@VGA
Picture Capacity in 16M memory (The quantity of pictures varies and depends on the complexity of the scene)	16MB Flash memory
	VGA: (640x480) --138 Pictures
	1.3M: (1280x960) -- 54 Pictures
	3.1M: (2048x1536) -- 28 Pictures
	5.0M: (2560 x 1920) -- 21 Pictures
External memory card	8.0M: (3264x2448) -- 14 Pictures
	12M: (4032x3024) --3 Pictures
File format	SD card supports up to 8GB
Self timer	Picture: JPEG, Video: AVI, Voice: WAV
PC interface	2/10/10+2 seconds
TV-out	USB 1.1
Power source	NTSC/PAL
	2xAAA alkaline batteries.

1.3 System requirement

Operating System	Windows XP/Vista or above
CPU	Mac 9.x or X.x
RAM	Pentium III or above
Interface	At least 64MB
CD	USB port
	4x speed CD ROM or above

2. Functional parts:



1	Strap hook	Hook for attaching the wrist strap to the camera.
2	Shutter	Press this button to take photographs or to start/stop recording a short video clip.
3	Power on/off button	Press this button to turn on, press again to turn off.
4	Self-timer	Blinking when the self-timer function is operating.

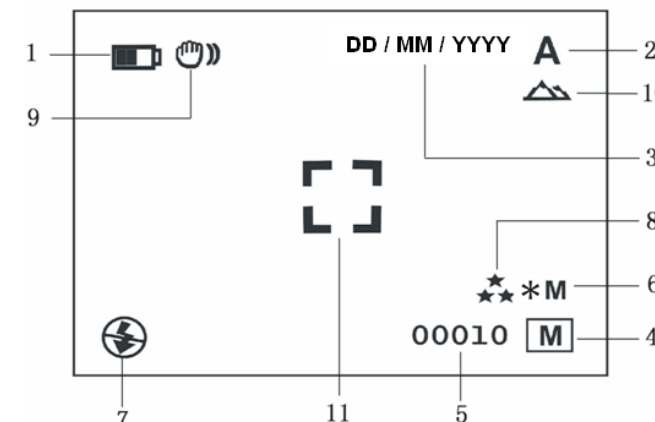
	indicator	
5	Flash light	Use the built-in flash to give the subject extra lighting if it is in dark surroundings (the best flash distance is recommended within 1.5m.).
6	Macro switch	Macro mode: Select this mode to take close-up photographs (distance 11cm - 18cm). Normal mode: Select this mode to take photographs from 0.5m - infinity
7	USB interface	Via this connection, you can download photographs and video clips to a computer.
8	AV port	For television connection.
9	Lens	Records the image to be taken. Note: Keep the lens clean. Dirt and fingerprints will affect the quality of the picture.
10	LCD screen	Display photographs, video clips, camera setting and menu.
11	Busy LED	When the indicator is lit, the camera is busy.
12	Left/ display	For menu LEFT selection, and LCD display on / off.
13	Menu	For camera setting.
14	Mode	Press it to select different mode.
15	UP	UP & Digital zoom in
16	OK	Press it to confirm changes.
17	Right/flash light	For menu right selection, and selection of flash light mode.
18	Down	Down & Digital zoom out
19	Playback	Press it to enter playback mode.
20	Delete	Press it to delete the photo in playback mode.
21	Battery door	2xAAA alkaline batteries
22	SD card slot	SD card slot.
23	Tripod connector	To fix the camera on tripod.

3. Details for camera setting

Size	12M pixel resolution	4032 x 3024
	8.0M pixel resolution	3264 x 2448
Quality	5.0M pixel resolution	2560 x 1920
	3.0M pixel resolution	2048 x 1536
Scene mode	1.3M pixel resolution	1280 x 960
	VGA resolution	640 x 480
Exposure value	Fine(Default)/Standard/Economy	Picture quality set
	Auto(Default)/Sport/Night/Portrait/Landscape/Backlight	Scene set
White balance	+/-2, +/-5/3, +/-4/3, +/-2/3, +/-1/3 +/-1, 0(Default)	Level of exposure
	Auto (Default)	Automatic white balance
	Daylight	White balance selected for daylight surrounding
	Cloudy	White balance selected for cloudy surrounding
	Tungsten	White balance selected for tungsten lighting
ISO	Fluorescent	White balance selected for fluorescent surrounding
	Auto(Default)/100/200	Sensitivity select
Color	Standard (Default) / Vivid / Sepia / Monochrome	Color setting
	Normal(Default) / High / Low	Saturation setting
Self timer	Normal(Default) / Hard /Soft	Sharpness setting
	2s	Set the delay time at 2s to take a picture
	10s	Set the delay time at 10s to take a picture
Date Input	10+2s	Set the delay time at 10s to take a picture, and then every 2s to take pictures automatically.
	Off(Default)/Set	DD,MM,YYYY
Time Stamp	Off(Default)/Date Only/Date & Time	Show the date and / or time on the pictures
	Continuous shoot	Can continuously shoot up to 3 pictures within 10 seconds.
Format	Execute/cancel	Format the memory card.
	English(Default)/T-Chinese/S-Chinese/French/German/Italian/Spanish/Portuguese	Select display language
Auto power off	1/3/5 min and Off	Auto power off in 1min, 3min(default) or 5 min if no operation
	Execute/cancel	Restore default setting
Light-Frequency (Flicker)	50Hz	Main European electricity frequency
	60Hz	Main American electricity frequency
TV- Out	NTSC	American and Japanese video format
	PAL	European video format.
USB	PC Cam	Work as a web camera.
	Disk Drive	Act as a portable disk.

Note: The camera will remain the last setting when it is turned off.

4. Explanation of the status icons



Item	Function	Description
1	Battery indicator	The batteries are full. The batteries are empty.
2	Recording mode	A Setting for photographs taking Setting for videos capture
3	Date stamp	Displays the date day/month/year
4	Memory or SD card indicator	Indicates memory or SD card M: Pictures stored in built-in memory SD: Pictures stored in SD card
5	Photo / Video counter	Photo mode :No. of balance picture can be taken; Video mode: Balance of recording time in second; Playback mode: The No. of pictures or video clips
6	Selected Resolution	12M= 4032x3024; 8M= 3264x2448; 5M=2560x1920; 3.0M = 2048x1536; 1.3M=1280x960; VGA=640x480;
7	Flash indicator	Force flash. Auto Flash: The camera determines if the flash must be used or not. No Flash: The flash is turned off.
8	Picture quality	Three stars: The quality is fine (Default). Two stars: The quality is standard. One star: The quality is economy.
9	Brightness Alert	Alert user to hold the camera steadily.
10	Normal / Macro mode indicator	Normal mode (0.5m – infinity) Macro mode (11cm –18cm)
11	View center	

5. Using the camera

5.1 Installing the batteries

1. Open the battery door.
2. Insert 2 AAA alkaline batteries into the camera.
3. Turn on the camera.
Press the POWER button to turn it on (press it again to turn off).

5.2 Inserting a memory card (not included)

This camera has built-in internal memory. This memory can be extended with a SD memory card (not included).

Follow the instructions given below to insert the optional SD memory card into the camera.

1. Turn off the camera first.
2. Insert the SD card into the camera.

Note: There is only one right direction to insert the SD memory card into the slot. Do not force the card into the slot, or else it may damage both the camera and the SD memory card.

Note: The SD memory card must be formatted before taking photographs. See the following sections for more information.

5.3 Formatting the memory or SD card

1. Press Menu button
2. Select Setup setting by right key.
3. Press OK to confirm and select by up or down key.
4. Press OK to format the card or memory.

5.4 Setting the resolution

The camera can be set to different resolutions.

1. Press MENU to set proper resolution.

Resolution: VGA (640X480) , 1.3M (1280x960) 3.0M (2048X1536),

5M (2560 x 1920), 8M (3264x2448), 12M (4032x3024)

2. Six different resolutions will be displayed. Select the desired resolution by using the ▲ or ▼ buttons and then press the OK button to confirm the selection.

5.5 Taking photographs

1. Turn on the camera by pressing the ON/OFF button.
2. Press MODE to set the camera to photo mode (A).
3. Depending on the distance to the object being photographed, use Macro switch to adjust the distance. Select the flower symbol (🌸) if you wish to take a close-up photograph (11cm –18cm).
If you wish to take photograph of surroundings or people (0.5m - infinity), set the Macro switch to Normal mode (▲).
4. If you are not sure if there is enough lighting, turn the automatic flash (A) on by pressing the flash button. (If the battery power is too low, the flash won't be activated).
5. Use the LCD screen to aim the object you wish to photograph.
6. Press Shutter button and hold the camera steadily for 2 to 3 sec, until the LCD display turn on again.

Caution: 1) Taking picture for fast-moving object is not recommended.
2) Image may be distorted when taking picture in a moving vehicle.

5.6 Zoom in and out

The camera can zoom in up to 8 times.

1. Zoom in by pressing the ▲ or ▼ button, a number will appear on the display. 8.0 is the maximum zoom.
2. You can zoom in by pressing the UP or DOWN button.

5.7 Taking photographs using self-timer function

You can use the self-timer function when you wish to take a photograph for yourself or when you wish to photograph for an object where the camera must be as still as possible, for example on the stand.

1. Set the camera to photo mode.
2. Press the MENU button. The quick menu will appear.
3. Press ▼ to self-timer mode, press OK and ▲ or ▼ to set the delay time: 2seconds / 10 seconds / 10+2seconds or off.
4. Press the OK button to confirm. The self-timer function is now ready for use.
5. Aim at the object you wish to photograph.
6. Press the SHUTTER button to take a photograph.
7. The self-timer indicator LED in the front will blink.
8. The photograph will be taken after the timer reaches the delay time that you pre-set, and the camera will beep once.

5.8 Recording video clips

1. Press the MODE button to select the video clip mode.
2. Press the SHUTTER button to start recording video, press the SHUTTER button again to stop recording. The video clip will now be saved as an AVI file in the camera memory.

3. Press MENU to set proper resolution, EV and WB, and press OK to confirm.

5.9 Playback photographs

1. Press PLAYBACK button, press ◀ or ▶ to select the video clip or photo.
2. Press ▲, it will go to 2x zoom, press ▲ again to 3x zoom..... up to 8x.
3. Press "OK" and then Press ▲, ▼, ◀ or ▶ to shift the image.
4. Press MENU to select SLIDE SHOW, and then press OK to confirm. The pictures saved in your camera or your SD card will be displayed in sequence automatically.

5.10 Playback video clips

1. When video clips are displayed, press OK to play, and press DOWN key to stop.
2. Press OK to pause the playback
3. Press Playback key to exit.

5.11 Delete photographs and video clips

You can choose to delete a single photograph / video clip, or delete all the photographs / video clips in the memory.

5.11.1 Delete photograph

Follow the instructions given below to delete photograph.

1. Press PLAYBACK to enter the playback mode.
2. Press the MENU button and select Delete One/Delete All, press OK to confirm.
3. If you select Protect picture, your current file or images can not be deleted.
4. Press MENU to exit.

NOTE: Select 'Deleting All' and Press OK to confirm, all the pictures will be deleted.

5.11.2 Shortcut to delete one picture

1. Press PLAYBACK to enter Playback mode.
2. Select the photo (video) you want to delete, press DELETE button.
3. Press OK to confirm.

6. Installing the camera driver

The driver in the CD has to be installed, under following applications:

For Windows XP and Windows Vista: Using as a PC cam only. (Download picture /video is driver free)

6.1 Uninstalling old drivers and devices

There is a chance for a conflict between the new driver and an existing driver in the computer. In that case, it is better to remove those drivers before installing the new driver.

1. Enter Windows 'Safe Mode' (press F8 when starting Windows and then select 'Safe Mode' from the menu which will be displayed).
2. Click on 'Start – Settings – Control Panel' and double-click on 'Add/Remove Programs' icon.
3. Find all the programs for similar, old devices and remove these by clicking on the 'Add/Remove' button. When in 'Safe Mode', it is possible for some programs to appear twice. In that case, remove all the programs which appear twice.
4. Restart the computer.

6.2 Installing the driver for Windows XP / Windows Vista

Note: Make sure all other programs are closed during the installation process.

Note: During installation for Windows XP/Vista, you may receive a message saying that the driver has not been signed. This does not cause a problem for the functionality of the program. Please click "Yes" to continue.

Note: For example, 'D: \ is used to indicate the CD-ROM drive. This may be different for your computer.

1. Insert the CD-ROM into your computer's CD-ROM drive. The installation program will start automatically. If it does not start automatically, please do the following:
a) Select 'Run' from Windows Start menu.
b) Type [D:\SETUP.EXE] and click on 'OK' to start the Software Installer.
2. The Software Installer will appear.
3. Select the language you wish to use for the installation.
4. Click on 'Install driver' to start the installation of the camera driver.
5. Follow the on-screen instructions.

6.3 Connecting the camera

The camera can be connected to the computer in two different modes: Mass Storage Device, or as a PC camera for video conferencing on the Internet.

6.3.1 Connecting as a mass storage device

1. Turn the camera on by pressing the ON/OFF button.
2. Press MENU button and press RIGHT key to select the Setup setting.

3. Press ▼ button to set USB connection.
4. Press ▲ or ▼ button to choose the Disk Drive mode.
5. Press OK to confirm.
6. Connect the camera to the computer.
7. Windows will automatically detect the camera. You can use this camera as a removable disk.

6.3.2 Connecting as a PC camera

When you connect the camera as a PC camera, you can use the camera as a web cam for video conferencing on the Internet by using Windows NetMeeting or Windows Messenger.

(You must install the driver before connecting the Digital Camera to your computer.)

1. Turn the camera on by pressing the ON/OFF button.
2. Press MENU button and press RIGHT key to select the Setup setting.
3. Press ▼ button to choose USB connection.
4. Press ▲ or ▼ button to choose the PC camera mode.
5. Press OK to confirm.
6. Connect the camera to the computer.
7. Windows will automatically detect the camera. You can use this camera as a web camera.

7. Trouble shooting

Problem	Cause	Solution
Cannot turn on the camera by pressing the "power" button.	Low battery power. Battery placed at wrong polarities.	Replace or install the battery correctly.
Photos can not be saved when taking pictures.	The memory card or built-in memory hasn't been formatted properly.	Format the memory in SETUP mode of the camera. Please refer to section 5.3.
Cannot find removable disk after connecting the camera to the computer.	1. Connection failure. 2. The mode of the camera is not set to removable disk properly	1. Make sure all cable connections are secured and restart the computer if necessary. 2. Set the camera to removable disk mode, refer to section 6.3.1 (system setting, USB connection).
Flash does not work.	Battery Power is too low.	Replace with new ALKALINE battery.
The batteries used up very fast.	Use wrong type of battery.	Replace with new ALKALINE battery.
The photos are over exposure	Set the flash light to force mode in bright environment.	Set the Flash light to Auto mode
The photos are blurry	1. The camera is not held steadily 2. The lens of camera is dirty 3. The camera is Set to wrong macro mode.	1. Hold the camera steadily until it beeps when taking photo. 2. Clean the lens with soft dry cloth. 3. Set the macro mode according to the distances of subject.
Get a warning message: "Capture device was not detected" when trying to open PC cam.	1. Conflict with another camera or video device. 2. The mode of the camera is not set to PC cam mode properly.	1. Remove any other camera driver completely from your system. Sometimes you have to re-install your system. 2. Set the camera to PC cam mode, refer to section 6.3.2 (system setting, USB connection).
Cannot preview image in PC Camera mode.	"Preview" is not selected in option Menu in PC.	Click "preview" in the "option" menu to select it.



■ For EU only

A

AM-DC542K-GB-CLV-R1