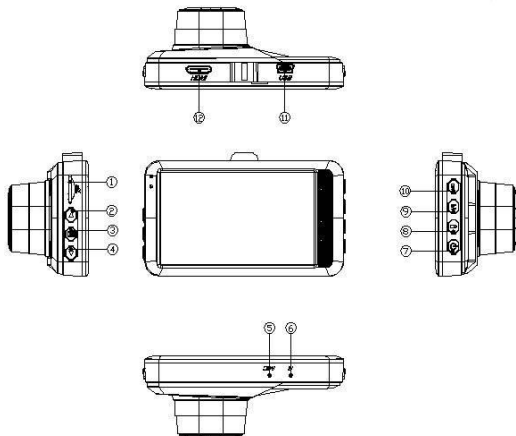


easypix®  
**SV4**  
**STREETVISION**



1) TF Slot

3) Menu

5) Mic

7) Power

9) Mode

11) USB

2) Up

4) Down

6) Reset

8) Lock

10) OK

12) HDMI-OUT



## IMPORTANT INFORMATION

To ensure the optimal functioning of your camera, please note the following important information:

- The camera must be connected to the car cigarette lighter socket via the AC adapter for proper operation.

**MicroSD card:**

- Please ensure your memory card is formatted in the camera before first using the card for the first time (Settings > Format).

- The maximum capacity memory card supported is 32GB.

Use of memory cards exceeding the maximum recommended capacity may result in file errors.

- For best results, we recommend using high quality Micro SD cards Class 10 with U3 High Speed or higher.

**Safety instructions:**

**WARNING: The camera is not suitable for children under 36 months because of choking hazard.**



**WARNING: Always protect your camera from falls, blows and bumps.**

- Keep a sufficient distance from objects that generate strong magnetic fields or radio waves, such as electrical appliances to prevent them from damaging the product or affecting the sound and image quality.
- Store the device cool (at room temperature) in a dry and dust-free location and never expose the product to high temperatures or permanently direct sunlight.
- In the unlikely event of overheating, smokes or unpleasant odors coming out of the unit, disconnect it immediately from the charging cable and remove the battery to avoid a fire.

## FUNCTION DESCRIPTION

### 1) TF Slot - Memory Card Slot

### 2) Up

Page up

In the settings menu or playback mode, short press **【Up】** to navigate up.

### 3) Menu

In standby, short press **【Menu】** to enter the settings menu

Short press **【Up】** or **【Down】** to select the menu options

Short press **【OK】** to confirm.

Short press **【Menu】** to exit the menu setting page.

The menu settings process is the same in video mode, camera mode and playback mode.

### 4) Down

Page down

In the settings menu or playback mode, short press **【Down】** to navigate down.

### 5) MIC – Built-in microphone for audio recording

### 6) Reset

Short press the Reset button, to restart the camera.

### 7) Power

To Turn On:

Long press **【Power】** and hold for 3s to turn the camera on.

After switching on the camera will start recording automatically.

To Turn Off:

Long press **【Power】** and hold for 3s.

The camera will automatically save the current video file and user settings and shut down.

## 8) Lock

During recording, short press to protect the current file from deletion.

## 9) Mode

Function: Mode switch function

In standby mode, short press **【Mode】** to switch between different modes (video/camera/playback).

## 10) OK/Pause key

Function 1: Confirm selected menu item

In standby video mode/camera mode/playback mode, short press **【Menu】** to enter the menu.

Short press **【Up/Down】** to browse, and press **【OK】** to confirm.

Function 2: Start/Stop video recording.

In video mode, short press **【OK】** to start taking video, and short press **【OK】** again to stop taking video.

Function 3: Camera

In camera mode, short press **【OK】** to take a photo.

Function 4: Pause video playback

In playback mode, short press **【OK】** to pause the video playback.  
Short press **【OK】** start playback again.

## **11) USB**

USB data interface

Function 1: Connection to PC for data transfer

Function 2: Connection to an external power supply to charge the battery or operate the camera.

## **12) HDMI-Out**

Connect a HDMI cable to this port to view your content on a TV while in playback mode

# **SPECIAL FEATURES**

## **G-sensor**

This camera features a built-in G-sensor. In the case of a serious vehicle impact, the camera will save and protect the recorded video against being overwritten and this will be indicated by the on screen 'lock' icon. This protected video file will not be overwritten during normal operation.

Note: The sensitivity of the G-Sensor is adjustable, and its settings may be changed in the setup menu according to your preference.

## **One-press lock function**

This camera also features a one-press lock function, which allows you to manually mark files you wish to protect from deletion during the camera's normal recording and over-writing process.

To protect a file, while in video mode, short press **【Lock】** and the current recording will be protected.

### **Auto power On / Off**

Your camera will automatically power on and start recording when the vehicle ignition is turned on.

This will be confirmed by the illuminated charge indicator and the video recording indicator will flash.

When the vehicle ignition is switched off, the camera will automatically save the recorded video and power off.

All recorded videos will be saved to the inserted memory card in multiple separate files.

When the memory card is full, the camera will automatically over-write the first (oldest) file.

### **Manual Power On / Off**

Long press **【Power】** for 3 seconds to turn the camera on .

Long press **【Power】** for 3 seconds again to turn the camera off.

Note: The camera will automatically shut down when the battery is low.

### **Photo mode**

Switch the camera on and short press **【Mode】** to enter photo mode.

The icon in the upper left corner will change from video to photo.

Short press **【OK】** to take a photo.

Short press **【Mode】** to switch back to video mode.

### **Video / Photo playback**

Switch the camera on and short press **【Mode】** twice to switch to playback mode.

Short press **【Up】/【Down】** to select a photo file to view or video file to playback.

Short press **【OK】** to confirm your selection.

To exit Playback mode short press **【Mode】** .

### **Time setting**

In standby and while no video is recording, short press **【Menu】** to enter the setup menu.

Short press **【Up】** / **【Down】** to move the cursor to the time / date setting option.

Short press **【OK】** to enter the time setting menu.

**【Note】** Please ensure the time and date are saved correctly to ensure the most accurate information is available in the event of a traffic incident.

### **USB mode**

Connect the camera to a computer USB port using the USB cable.

## **TECHNICAL SPECIFICATIONS**

G-sensor	Built-in
LCD screen size	3" /7.6cm (16:9)
Lens	140°
Video resolution	Full HD (interpolated), HD, VGA
Video format	AVI
Loop recording	Yes
Photo resolution	3M, 2M, 1M
Photo format	JPG
Memory card	SDHC TF card up to 32GB (not included)
MIC	Yes
Frequency	50HZ/60HZ
Power interface	5V 1A



## TROUBLE SHOOTING

➤ **For problems encountered during normal user please try the resolutions suggested below:**

- **Can't take photos and record video**

Ensure the memory card has enough available space or is not locked

- **The camera automatically stops when recording**

Ensure you are using a compatible high-speed SDHC memory card. Class 10 or higher recommended.

- **"File Error" message appears when viewing a photo or playing back a video**

Ensure your memory card is formatted before first use.

- **Video recording is not clear**

Ensure the camera lens is free from grease and dirt.

- **Black image when recording sky or water scenes**

Scenes with high contrast will influence the automatic exposure function of the camera. Please adjust the EV setting in the camera settings menu.

- **The video color on a cloudy day and in outdoor light is distorted**

In the camera settings menu set the "white balance" function to automatic.

- **There is a flickering or interference in the image**

IN the camera settings menu set the 'Frequency' to 50Hz or 60Hz according to your local power supply frequency.

- **The camera is unresponsive or frozen.**

Restore to factory settings by pressing the Reset button.

**Note:** After restarting you may need to reset the time and date.



All product specifications are correct at time of print and are subject to change without prior notice.

Easypix GmbH reserve the right for errors or omissions.

For technical help please visit our support area on [www.easypix.eu](http://www.easypix.eu).

## **CONFORMITY**

The manufacturer hereby declares that the CE marking was applied to the product StreetVision SV4 in accordance with the basic requirements and other relevant provisions of the following CE Directives:

2014/53/EU

2011/65/EC RoHS

2014/30/EU EMV

2012/19/EC WEEE



The EC Declaration of Conformity can be downloaded here:

[http://www.easypix.info/download/pdf/doc\\_sv4.pdf](http://www.easypix.info/download/pdf/doc_sv4.pdf)

## DISPOSAL



### Dispose of packaging

For disposal, separate packaging into different types. Cardboard and board must be disposed of as paper and foil must be recycled.



### **Disposal of Waste Electrical and Electronic Equipment and/or Battery by users in private households in the European Union.**

This symbol on the product or on the packaging indicates that this cannot be disposed of as a household waste. You must dispose of your waste equipment and/or battery by handing it over to the applicable take-back scheme for the recycling of electrical and electronic equipment and/or battery. For more information about recycling of this equipment and/or battery, please contact your city office, the shop where you purchased the equipment or your household waste disposal service. The recycling of materials will help to conserve natural resources and ensure that it is recycled in a manner that protects human health and environment.



### Battery warning

- Never dismantle, crush, or pierce the battery, or allow the battery to short-circuit. Do not expose battery being placed in high temperature environment, if battery leaks or bulges, stop continue to use.
- Always charge using the charger. Risk of explosion if battery is replaced by an incorrect type.
- Keep the battery out of reach of children.
- Batteries may explode if exposed to naked fire. Never dispose of batteries in a fire.
- Disposed of used batteries observing local regulations.
- Before disposing the device, please remove the battery.



The camera is not suitable for children under 3 years

because of choking hazard.



Made in China / Only for EU

**easypix**<sup>®</sup>

LIFESTYLE ELECTRONICS