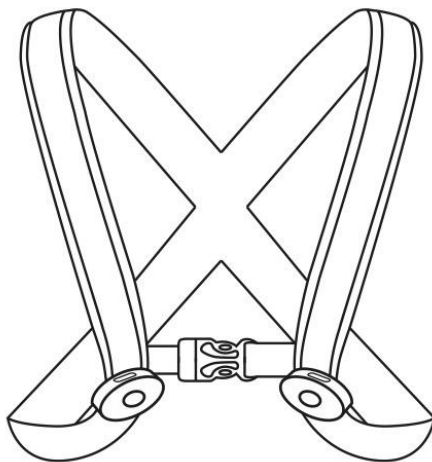


STREET ***GLOW***[®]

FULL SPECTRUM LED VEST



USER MANUAL

FR : Un manuel dans votre langue est disponible sur Internet:

IT: Il manuale nella sua lingua può essere trovato su Internet:

ES: Puede encontrar un manual en su idioma en Internet:

PT: Um manual em seu idioma pode ser encontrado na Internet:

PL: Instrukcję w swoim języku możesz znaleźć na stronie:

SWE: En handbok på ditt språk finns på Internet:

NL: Een handleiding in uw taal vindt u op internet:

www.easypix.info/download-manuals/download/streetglow/

Table of content

Retaining instructions	3
Explanation of safety warnings.....	3
Product introduction.....	4
Intended use	5
Restrictions	6
Safety instructions	7
Operating environment.....	8
Using the luminous vest.....	9
Description of the components	11
Function	12
Switching on/off	12
Battery installation	13
Cleaning	14
Box contents.....	14
Specifications	15
Disposal	16
Declaration of conformity	16

Disclaimer

Easypix makes no representations or warranties with respect to this manual and, to the maximum extent permitted by law, expressly limits its liability for breach of any warranty that may be implied to the replacement of this manual with another. Furthermore, Easypix reserves the right to revise this publication at any time without incurring an obligation to notify any person of the revision. Easypix is not responsible or liable for misuse of the information that is contained herein. If you have any suggestions for improvements or amendments or have found errors in this publication, please notify us. All pertinent state, regional, and local safety regulations must be observed when installing and using this product. For reasons of safety and to help ensure compliance with documented system data, only the manufacturer shall perform repairs to components. Failure to observe this information can result in injury or equipment damage. Copyright © by Easypix GmbH

All rights reserved. No part of this publication may be reproduced, distributed, or transmitted in any form or by any means, including photocopying, recording, or other electronic or mechanical methods, without the prior written permission of the publisher. For permission requests, please write to the publisher below.

Easypix GmbH, Em Parkveedel 11, 50733 Köln, Germany.
support@easypix.eu • www.easypix.eu

Retaining instructions

Read this manual and its safety instructions before using this product.

Follow all the instructions. This will avoid fire, explosions, electric shocks or other hazards that may result in damage to property and/or severe or fatal injuries.

The product shall only be used by persons who have fully read and understand the contents of this user manual.

Ensure that each person who uses the product has read these warnings and instructions and follows them.

Keep all safety information and instructions for future reference and pass them on to subsequent users of the product.

The manufacturer is not liable for cases of material damage or personal injury caused by incorrect handling or non-compliance with the safety instructions.

Explanation of safety warnings



WARNING

Warning indicates a hazard with a medium level of risk which, if not avoided, could result in serious injury.

NOTICE

Indicates information considered important, but not hazard-related.

Product introduction

Be safe, be seen!

StreetGlow is a luminous vest designed to improve your visibility in low light conditions. With extra bright LEDs, it enables you stand out from your surroundings and enhances your safety as a road user.

The luminous vest is worn on the upper body, where it can be easily fit over a thick jacket. The product provides improved visibility at dusk and in the dark.

StreetGlow is powered by 4x CR2032 lithium batteries which provide up to 80 hours of continuous operation.

StreetGlow does not replace the bicycle light that is mandatory in road traffic, but it does IMPROVE AND ENHANCE your visibility with the result that you will be seen earlier by other road users.



WARNING

WARNING! The product is not a substitution for a bicycle light, which is a legal requirement for use on the road.

The product is designed to enhance your visibility in traffic so you are seen earlier by other road users.

WARNING! Improved visibility alone can not completely prevent accidents. Please remain alert when travelling in traffic.

WARNING! In order for the product to perform as intended please ensure the belt is kept clean and unobstructed at all times while in use. A dirty StreetGlow will not be as visible as a clean one. Please note that visibility can be reduced by dirt or wear.

WARNING! Carrying a backpack over the belt reduces the protection considerably. It is therefore recommended to wear the belt **OVER THE BACKPACK**.

Intended use



WARNING

This product is designed to improve visibility while on the road or undertaking outdoor activities and does not replace any other legal requirements such as a bicycle light!

You are obliged to use a light specifically designed for road use on your bicycle (or other vehicle).

StreetGlow improves visibility at dusk and in the dark.

The product is intended for use as a visibility aid only.

It cannot be used as a high visibility warning belt in motor vehicles as required by the law on carrying in motor vehicles.

This product is splashproof and it not suitable for use under water.

Restrictions



WARNING

Danger for children:

- This product is not a toy. Please ensure adult supervision at all times when fitting the belt.
- The product is not suitable for children under 3 years. Danger of suffocation. Danger of strangulation.
- Do not allow children to climb when wearing the waistcoat as there is a risk of getting caught.
- Product contains small parts. Batteries can be life-threatening if swallowed. Therefore keep the product and batteries out of the reach of small children.

Safety instructions



WARNING

This product is only suitable for the purpose described, the manufacturer is not liable for damage caused by abnormal use.



WARNING

Please read this instruction manual carefully before use, and ensure the batteries are installed correctly.

- Do not leave the product in a high or low temperature environment for a prolonged period of time.
- Keep the product out of the reach of small children.
- No special maintenance is required during use.
Please contact the seller or manufacturer if your device displays a fault.
- Do not make any changes to the product. Improper modifications or repairs may cause danger to the user and will void any warranty.
- The LEDs are not replaceable. If the LEDs reach the end of their life, the entire belt must be replaced.
- Please dispose of the waste and residues at the end of the service life of the product according to local laws and regulations.



WARNING

BATTERIES:

- Use only batteries approved for use with this product:
CR2032 batteries
- Please remove the batteries if the product is not going to be used for an extended period of time.
- If a battery has leaked, avoid contact with skin, eyes and nose.
- Batteries must not be charged, taken apart or thrown into fire.

Operating environment

- Do not expose the product to abnormally high or low temperatures.
- Store the product cool (at room temperature) in a dry and dust-free location.
- This product is splashproof and it not suitable for use under water. Do not immerse the product in water or other liquids. The product is not washable.

Using the luminous vest

1. Fit the vest so that the crossed straps ("X") are on your back.
2. Buckle the fastener.
3. Make any final size adjustments using the adjustable straps while ensuring a secure but comfortable fit.

NOTICE

Always wear the vest in a visible and closed position to achieve the best effect.

BACK



FRONT (Chest)

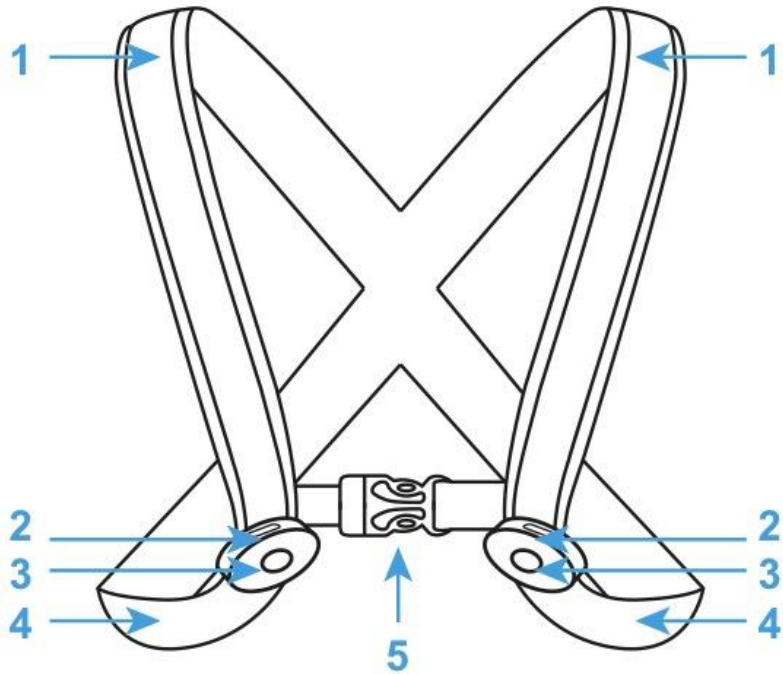


Adjustable strap

Fastener

Adjustable strap

Description of the components



1. LED light straps
2. Battery compartment
3. - On/off switch
- Mode selection:
Light always on / Slow flash light / Fast flash light
4. Adjustable strap
5. Fastener

Function

The StreetGlow luminous vest is made of durable nylon and uses thermoplastic polyurethane fibre optic technology in addition to LED light.

This creates an even, highly visible surface that helps you stand out on the road in most weather conditions.

The product consists of two crossing LED straps and contains two on/off switches - one for each strap.

The switch allows you to choose whether the strap should flash or glow constantly.

The 4x CR2032 batteries provide up to 80 hours of continuous operation.

Switching on/off

To switch on/off, press the on/off switch on both battery compartments:

1x = Constant light mode

2x = Fast flashing mode

3x = Slow flashing mode

4x = Off

Battery installation

The product contains 4x batteries (2x batteries for each side).

- Open both battery holders by pushing them through the battery chambers – from top to bottom.
- Place 2x batteries on top of each other, and then insert them into a holder. Make sure the polarity is correct.
- Then push the holder back into the battery chamber – from bottom to the top.



NOTICE



Devices marked with this symbol must not be disposed of with household waste! You are legally obliged to dispose of old appliances as well as batteries separately from household waste.

Information on collection points that accept old appliances/batteries free of charge is available from your local authority or town council.

Cleaning



WARNING

- **Never immerse the product in water or other liquids.**
- Wipe the product regularly with a soft cloth.
- The product is not washable.

Box contents

- LED luminous vest
- CR2032 lithium batteries (4x)
- Manual EN/DE

*Manuals in further languages are available for download at
www.easypix.info/download-manuals/download/streetglow/*

Specifications

StreetGlow	Full Spectrum LED Vest
LED luminous modes	<ul style="list-style-type: none"> • Constant light • Slow flashing mode • Fast flashing mode
Reflective surface	Reflective materials provide additional visibility when the LED light is not in use
Visibility	Visible from up to 100M in clear line of sight
Suitable for all-weather use	Splashproof (IPX4)
Adjustable size	<ul style="list-style-type: none"> • Easy to put on and take off • Elastic quick fastener • Comfortable to wear
On/Off switch	<ul style="list-style-type: none"> • To switch on and off • To switch between modes
Material	Nylon
Length	Adjustable
Batteries	CR2032 lithium batteries (4x)
Long-term battery operation	<ul style="list-style-type: none"> • Constant light (up to 60 hours) • Slow flashing mode (up to 70 hours) • Quick flashing mode (up to 80 hours)

NOTICE

The product is designed to improve visibility while on the road or undertaking outdoor activities and does not replace any other legal requirements such as a bicycle light! You are obliged to use a light specifically designed for road use on your bicycle (or other vehicle).

Disposal



Dispose of packaging.

For disposal, separate packaging into different types. Cardboard and board must be disposed of as paper and foil must be recycled.



Disposal of Waste Electrical and Electronic Equipment and/or Battery by users in private households in the European Union.

This symbol on the product or on the packaging indicates that this cannot be disposed of as a household waste. You must dispose of your waste equipment and/or battery by handing it over to the applicable take-back scheme for the recycling of electrical and electronic equipment and/or battery. For more information about recycling of this equipment and/or battery, please contact your city office, the shop where you purchased the equipment or your household waste disposal service. The recycling of materials will help to conserve natural resources and ensure that it is recycled in a manner that protects human health and environment.

Declaration of conformity



We hereby declare that the CE marking has been affixed to this product in accordance with the essential requirements and relevant provisions of the European directives. The Declaration of Conformity for **StreetGlow** can be downloaded here:

http://www.easypix.info/download/pdf/doc_streetglow.pdf