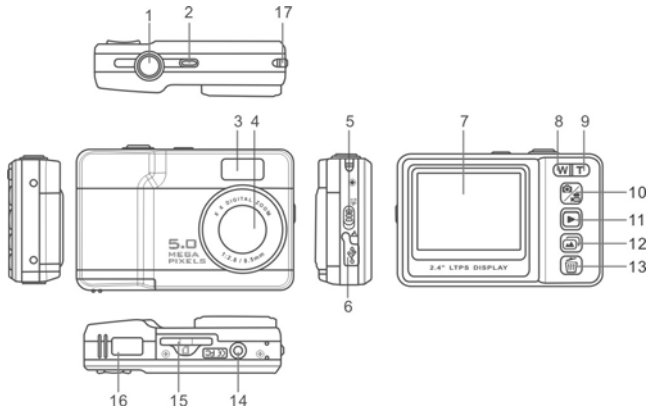


1. Get to know your camera

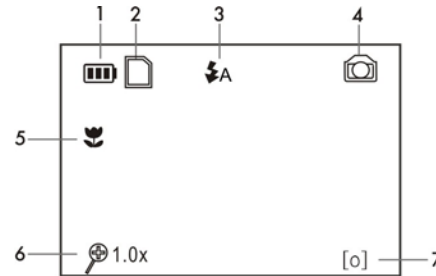
- 5.0 Mega pixels resolution sensor
- Digital still camera
- Digital video camcorder
- Built-in flash Light
- 2.4" TFT color display
- Internal 16MB flash memory and SD card support
- Driver free for Windows XP/Vista and MAC 9.x and X.x
- Macro mode

2. Functional part



1	Shutter/OK	Press this button to take photographs or to start/stop recording a video clip, or to confirm changes in menu mode.
2	Power on/off button	Press this button to turn on, press again to turn off.
3	Flash	Use the built-in flash to give the subject extra lighting if it is in dark surroundings (the best flash distance is recommended within 1.5m.).
4	Lens	Records the image to be taken. Note: Keep the lens clean. Dirt and fingerprints will affect the quality of the picture.
5	Macro switch	Macro mode: Select this mode to take close-up photographs (distance 11cm - 18cm). Normal mode: Select this mode to take photographs from 0.5m - infinity
6	USB interface	Via this connection, you can download photographs and video clips to a computer.
7	LCD screen	Display photographs, video clips, camera setting and menu.
8	WIDE	Digital zoom out
9	TELE	Digital zoom in
10	Mode	Press it to select PHOTO/ VIDEO mode.
11	Playback	Press it to enter playback mode. press again to quit playback mode.
12	Slide Show	Press it to start slide show.
13	Delete	Press it to delete the photo in playback mode.
14	Tripod connector	To fix the camera on tripod.
15	SD card slot	SD card storage location.
16	Battery door	For 2xAA alkaline batteries
17	Strap hook	Hook for attaching the wrist strap to the camera.

3. Explanation of the status icons



Item	Function	Description
1	Battery indicator	The batteries are full. The batteries are empty.
2	Memory or SD card indicator	Internal memory or SD card Photos will be stored in SD card, if no, photos will be stored in built-in memory
3	Flash indicator	Auto Flash: The camera determines if the flash must be used or not. No Flash: The flash is turned off.
4	Recording mode	Photographs taking. Videos capture
5	Normal / Macro mode indicator	Normal mode (0.5m – infinity) (not display). Macro mode (11cm –18cm)
6	Zoom Indicator	Showing zoom ratio.
7	Photo / Video counter	Photo mode : Balance of photos can be taken; Video mode: Recording time in second; Playback mode: The No. of pictures or time in video clips.

4. Using the camera

4.1 Installing the batteries

- Open the battery door.
- Insert 2x AA alkaline batteries into the camera.
- Close the battery door.



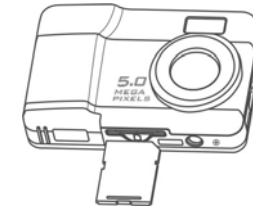
4.2 Inserting a memory card (not included)

This camera has built-in internal memory. This memory can be extended with a SD memory card (not included).

Follow the instructions given below to insert the optional SD memory card into the camera.

- Turn off the camera first.
- Insert the SD card into the camera.

Note: There is only one right direction to insert the SD memory card into the slot. Do not force the card into the slot, or else it may damage both the camera and the SD memory card.



4.3 Taking photographs

- Turn on the camera by pressing the POWER button.
- Press the button to select the photo mode .
- Depending on the distance to the object being photographed, use Macro switch to adjust the distance. Select the flower symbol () if you wish to take a close-up photograph (11cm –18cm).
If you wish to take photograph of surroundings or people (0.5m - infinity), set the Macro switch to Normal mode ().
- Use the LCD screen to aim the object you wish to photograph.
- Press the SHUTTER button and hold the camera steadily for 1 to 2 sec, until the LCD display turn on again.

Caution: 1) Taking picture for fast-moving object is not recommended.
2) Image may be distorted when taking picture in a moving vehicle.

4.4 Zoom in and out

The camera can zoom in up to 8 times.
Zoom in or out by pressing the or button, a number will appear on the display showing the ratio of zoom 8.0 is the maximum.

4.5 Recording video clips

- Press the button to select the video clip mode .
- Press the SHUTTER button to start recording video and press the SHUTTER button again to stop recording. The video clip will now be saved as an AVI file in the camera memory.

4.6 Playback photographs

- Press the to get into playback mode.
- Select pictures by pressing the or buttons.
- Press the to start SLIDE SHOW . The photos saved in your camera or your SD card will be displayed in sequence automatically.

4.7 Playback video clips

- When video clips are displayed, press the SHUTTER button to start playing the video and press the SHUTTER button again to stop the playback.
- Press the button to exit.

4.8 Delete photographs and video clips

You can delete a single photo / video clip in the memory.
Follow the instructions given below to delete photograph.

- Press to enter the playback mode.
- Press the or buttons to select photo/ video.
- Press button to enter delete mode.
- Use or buttons to select 'YES' or 'NO' for deleting photo/video.
- Press SHUTTER to confirm.
- Press to exit.

5. Connecting the camera

The camera can be connected to the computer as Mass Storage Device.

6. Specifications

Sensor	5.0 Mega pixel CMOS sensor
Image resolution	5.0 Mega pixels: (2560x1920)
Lens	F/2.8 f=8.5mm
Focus range	0.5m. - Infinity
Macro mode	11cm – 18cm
Digital zoom	8x
Flash strobe	Built-in (Auto)
LCD display	2.4" TFT color display
White balance	Auto
Video mode	30fps@QVGA & 30fps@VGA
Built-in memory	16 MB Flash memory
Picture capacity in 16M memory	5.0M: (2560x1920)--18 Pictures
External memory	SD card supports up to 4GB
File format	Picture: JPEG, Video: AVI
PC interface	USB 2.0
Power source	2xAA alkaline batteries.(Rechargeable battery is not recommended)

8. System requirement

Operating System	Windows XP/Vista or above Mac 9.x or X.x
CPU	Pentium II or above
RAM	At least 64MB
Interface	USB port
CD	4x speed CD ROM or above

9. Troubleshooting

Problem	Cause	Solution
Cannot turn on the camera.	Low battery power. Battery placed at wrong polarities.	Replace or install the battery correctly.
Photos can not be saved when taking pictures.	The memory card or built-in memory hasn't been formatted properly.	
Cannot find removable disk after connecting the camera to the computer.	Connection failure.	Make sure all cable connections are secured and restart the computer if necessary.
Flash does not work.	Battery Power is too low.	Replace with new ALKALINE battery.
The batteries used up very fast.	Use wrong type of battery.	Replace with new ALKALINE battery.
The photos are blurry	The camera is not held steadily	Hold the camera steadily until it beeps when taking photo.
Cannot preview image in PC Camera mode.	"Preview" is not selected in option Menu in PC.	Click "preview" in the "option" menu to select it.



For EU only