

User's Manual

Contents

Introduction	P3
Features	P3
Package contents	P3
Getting Started	P4-P7
Attach the hand strap	P8
Insert the batteries	P8-P9
Insert an SD card	P10-P11
Play Multimedia	P12-P20
-Photo/Video/Audio Clip Browsing	P12
-MPEG4 Player	P12
-Audio Clip Browsing	P12
MP3 Player	P18-P20
-Play	P18
-Lyric Display	P20
Voice Pen	P21-P22
Alarm Clock	P21-P22
Calendar	P22
World time	P22-P23
Calculator	P23-P24
Currency Exchange	P24
File Browser	P25
Games	P25
Pc-Camera	P26
Camera Mode	P32-P41
-Take Pictures	P33
-Digital Zoom	P33
-Use the Flash	P34
-Use the Self-Timer	P34
-Continuous Shots	P34-P35
-Couple Shots	P35
-Picture Frame	P36
-Change the Focus	P36
-Record Videos	P37
-Adjust the Camera Settings	P37-P41
Install the software	P42
Record TV program	P43
Karaoke	P43
Appendix 1: Specifications	
Appendix 2: Error Messages	
Appendix 3: Exchange Rate Table	
Appendix 4: Introduction of Blaze MP3 Workshop	
Appendix 5: Introduction of Blaze Video Magic	

Chapter 1 Introduction

Hello.

Thank you for purchasing this digital camera, which will bring you a wonderful new life style, and enable you to enjoy a modern stylish life.

It integrates entertainment and shooting, which enables you to enjoy high definition shooting of up to 5 megapixels, and experience the unique entertainment of this player and the exciting world of multimedia. You can use this digital camera to enjoy mp3 format music, play videos, shoot video clips, record audio, play audio, store data, calculate, make a calendar, adjust your world time, exchange currencies, and play various interesting games.

Features:

- Compact, stylish design
- 8× digital zoom
- 5 megapixels high-resolution CMOS (2592 *1944 pixels)
- Maximum resolution of 12 megapixels (extrapolated resolution)
- Video capture resolution of 320*240@30 fps, 640*480@30fps
- Supports MP3/WAV music format
- Supports Divx/Mov/ASF multimedia playing format
- Ultra-large 2.5" LCD
- Built-in 128 MB memory
- Supports SD card media
- USB2.0 port
- TV output and input
- Built-in microphone and speaker

Package contents:

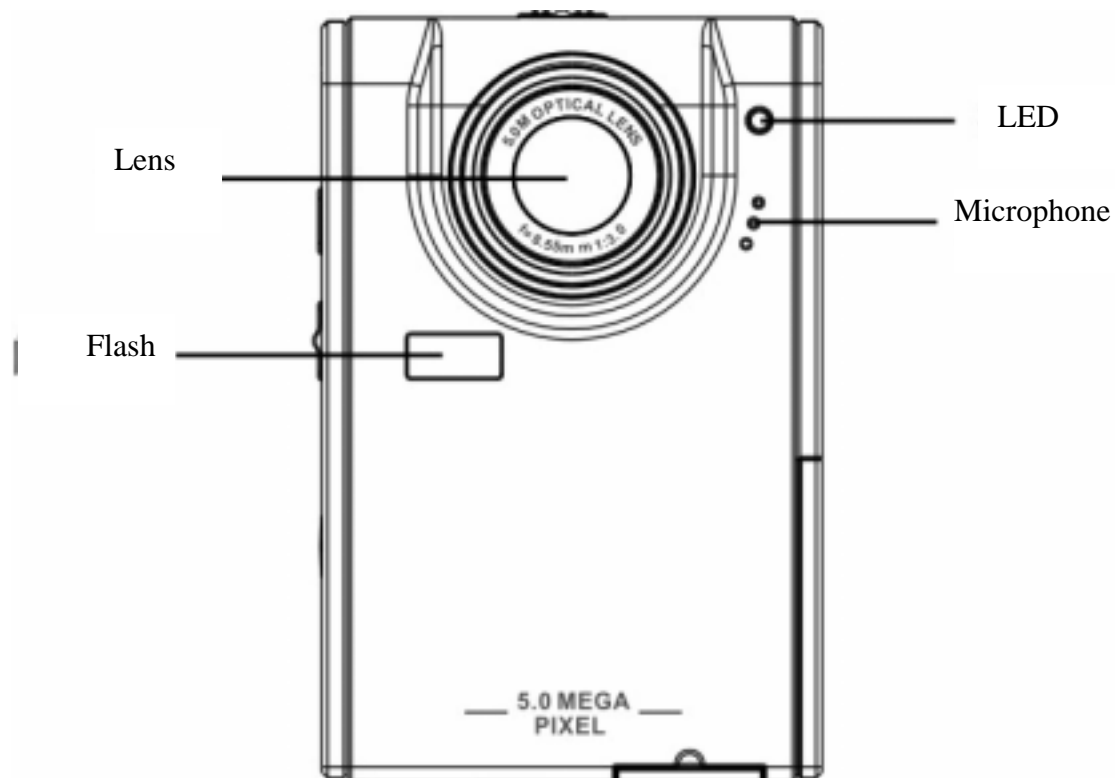
Make sure that your package contains the following components. If anything is missing or damaged, contact your dealer immediately. Retain the packaging in case you need to ship the digital camera in the future.

- Digital camera
- Hand strap
- Quick start guide
- Driver and software CD
- User's manual (on CD)
- Lithium battery
- USB cable
- TV-IN cable
- TV-OUT cable
- Earphone
- Charger
- Traveling Bag

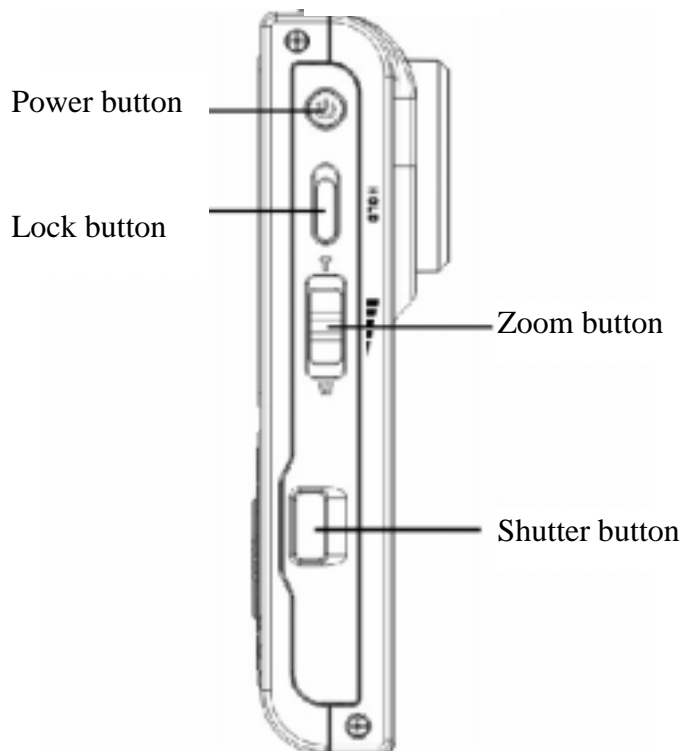
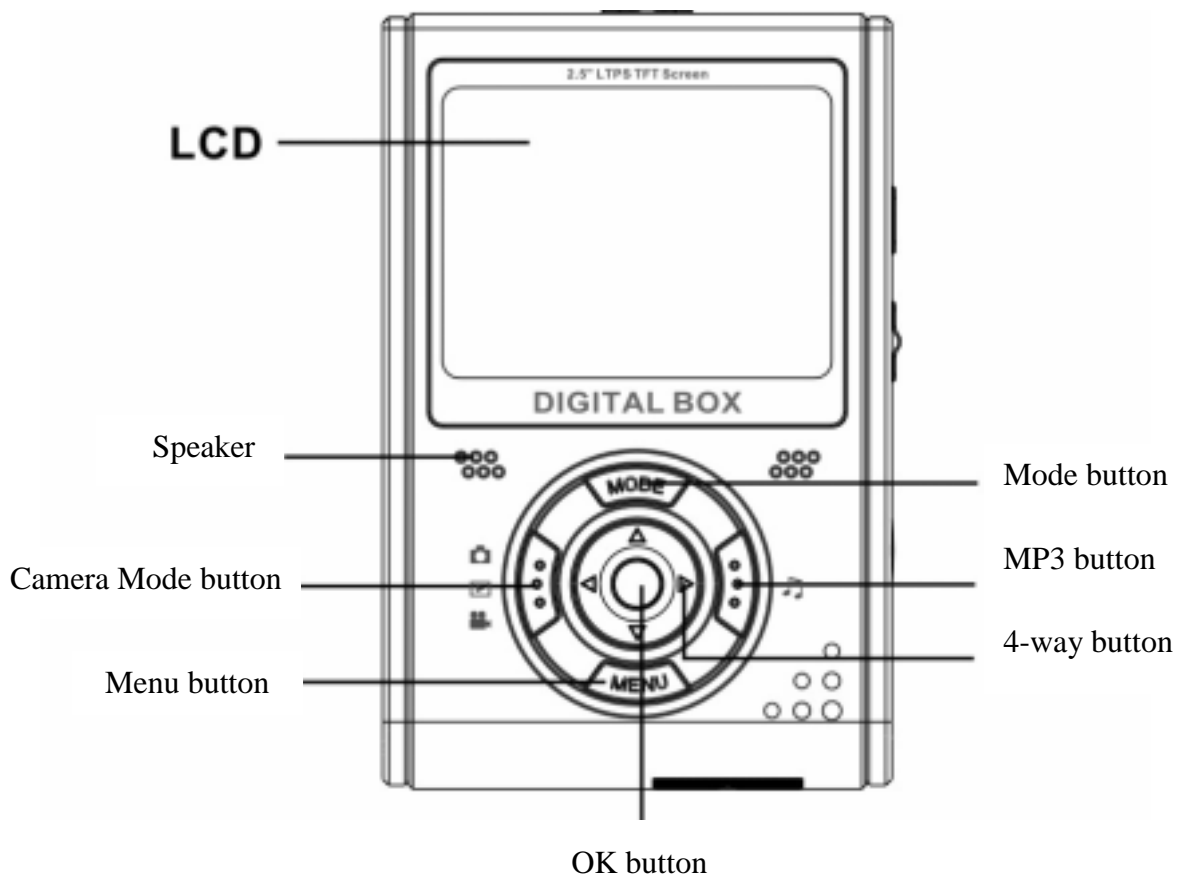
Digital camera overview:

Familiarize yourself with the controls of the digital camera with the illustrations below.

Front view

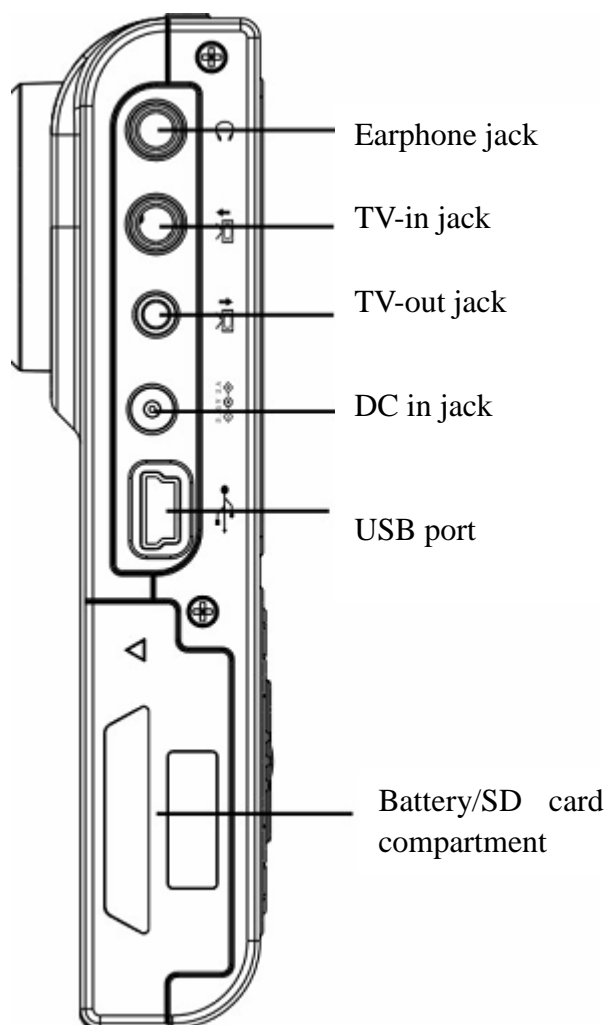


Rear View

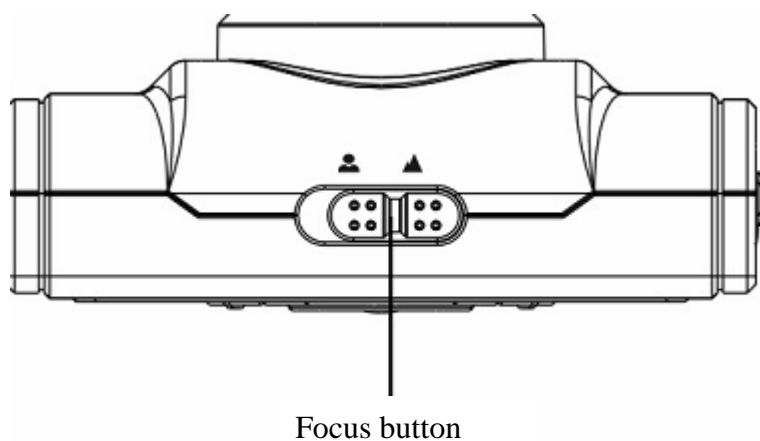


Side Views: Left

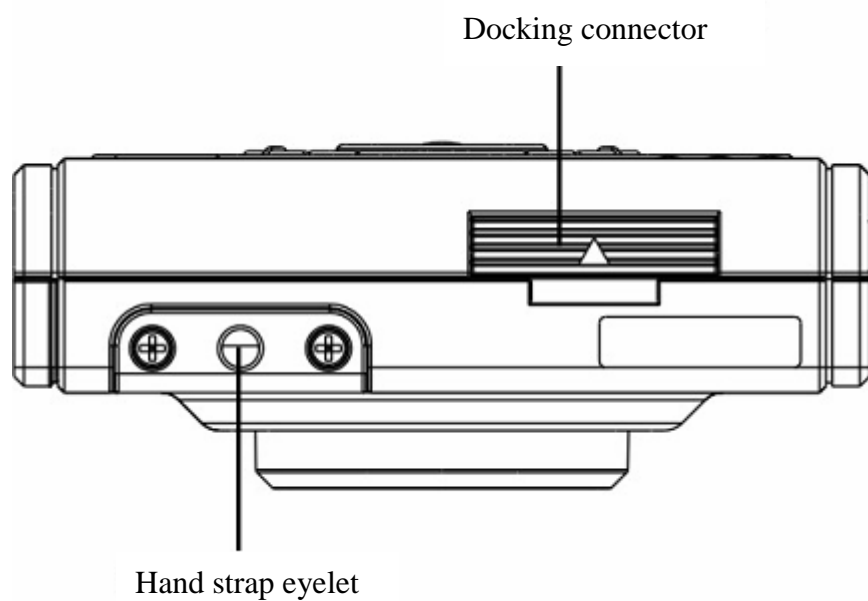
Right



Top View



Bottom View



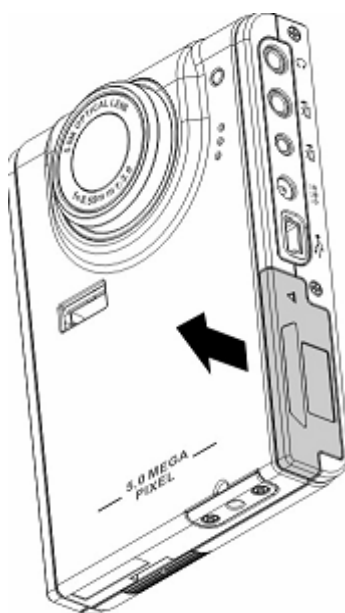
Chapter 2 Getting Started

Attaching the hand strap

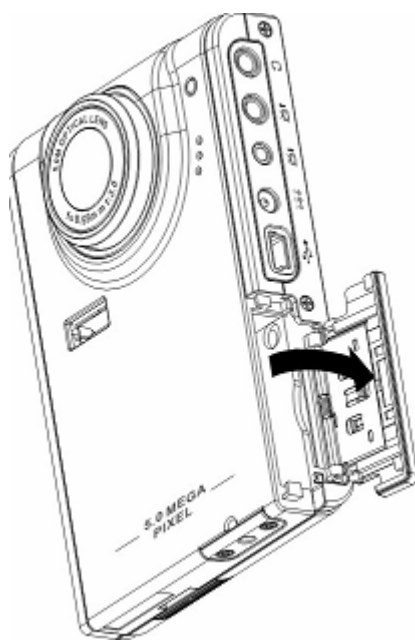
- 1 . Thread the short loop of the hand strap through the hand strap eyelet at the bottom of the player.
- 2 . Thread the long loop of the hand strap through the short loop.
- 3 . Pull the long loop tight.

Inserting the batteries:

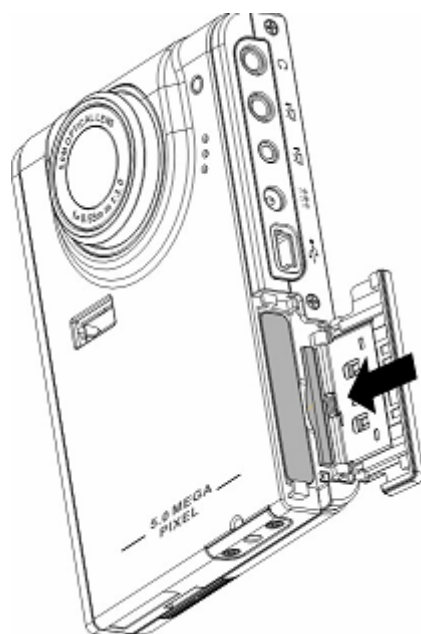
- 1 . Slide the battery/memory card cover on the side of the player in the direction of the arrow.



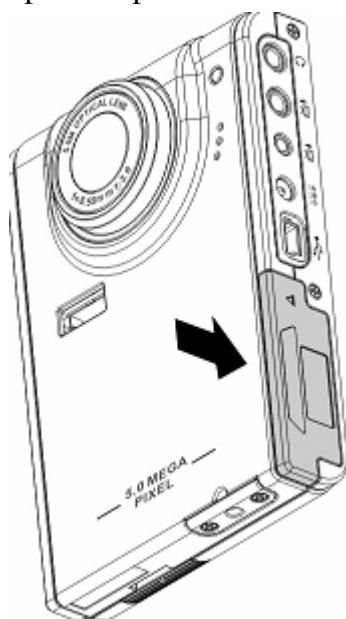
- 2 . Open the cover.



3 . Insert the batteries into the compartment observing the correct polarity.



4 . Close the cover and snap it into place in the direction of the arrow.



Turning the player on and off

Press the **Power** button on the left side of the player to turn it on.

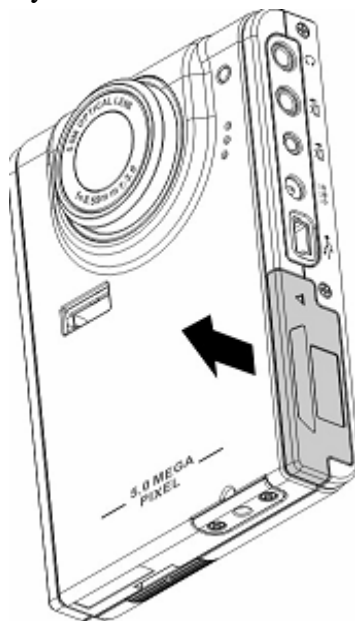
Illustration:



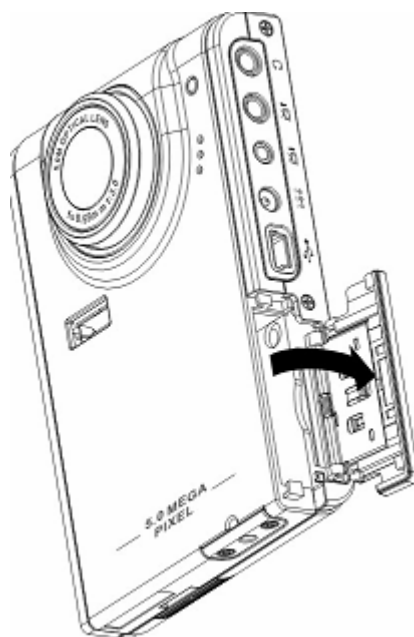
Press the Power button again to turn the player off.

Inserting an SD card

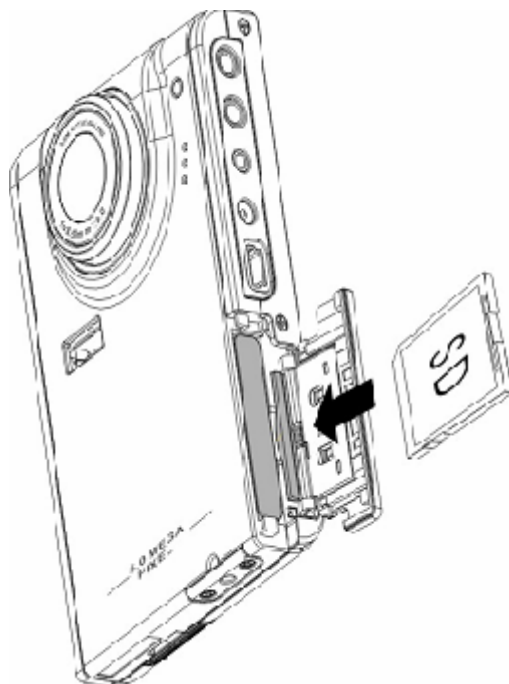
1 . Slide the battery/memory card cover on the side of the player in the direction of the arrow.



2 . Open the cover.

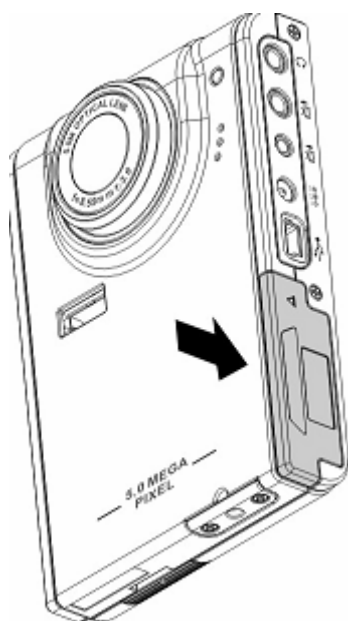


- 3 . Insert the SD card into the slot, with the label facing the front of the player, until it clicks into place.



Note: SD cards can only be inserted by one direction. If the card does not enter the slot easily, do not force it. Make sure the card is facing the correction direction.

- 4 . Close the cover, and snap it into place in the direction of the arrow.



Chapter 3 Playing Multimedia

Media player

Photo/Video/Audio Clip Browsing:

Enter the photo browsing mode in the main menu of digital camera, and the LCD screen will display the photos/video clip thumbnails according to the time. You can press the left or the right key of the 4-way button to move to the previous or the next file.

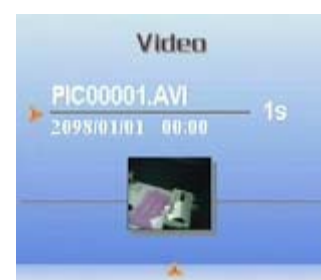
Play:

To browse photos and video or audio clips, please follow the procedure:

- 1 . Turn on the player, and enter the multimedia main menu.
- 2 . Use the left or the right key of the 4-way button to select photos, video or audio to be browsed, and press OK to confirm.
- 3 . Enter the submenu, and use the right or the left key of the 4-way button to move to the next or the previous file.
- 4 . If the file is a video clip, press OK to begin playing the video clip. Press OK to stop playing.

The screen displays the playing status and playing icon.

- 5 . If the file is an audio clip, press OK to begin playing the audio clip. Press OK to stop playing. The screen displays the playing status and playing icon.

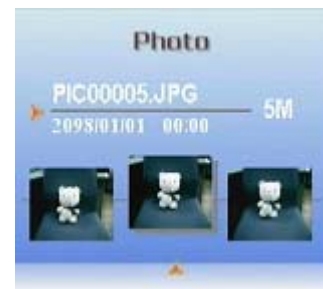


Delete:

In the Play Mode, you can easily delete any unsatisfactory photo or video clip, and not transfer them into the PC.

To delete unneeded files, please follow the procedure:

- 1 . In the Play Mode, use the 4-way button to move to the photo/video clip to be deleted.



- 2 . Press the MENU button, and use the left or the right key of the 4-way button to display the Delete menu.

- 3 . Use the 4-way button to select one of following options:

----This file: to delete the currently selected file.

----All files: to delete all files.

- 4 . Press OK to confirm. The selected file(s) will be deleted.

**Protect/Unprotect files**

To lock photos or audio/video clips to prevent them from being deleted accidentally, please follow the procedure:

- 1 . In the Play Mode, use the 4-way button to move to the photo or audio/video clip to be locked.



- 2 . Press the MENU button, and use the left or the right key of the 4-way button to display the Lock menu.

- 3 . Use the Up or the Down key of the 5-way button to select one of following options:

----This file

----All files

- 4 . Press OK to confirm.

- 5 . If the selected file has already been locked, you can use a similar procedure to unlock it.



Edit Photos

You can use various options in the playback menu to edit photos, such as resizing, cropping, or rotating photos.

● Resize Photos

To resize a photo, please follow the procedure:

1 . In the Play Mode, use the 4-way button to move to the photo that you want to resize.



2 . Press the MENU button, and use the left or the right key of the 4-way button to move to the Edit menu.



3 . Press the Up or the Down key of the 4-way button and the OK button to open the Resize submenu.

4 . Press the Up or the Down key of the 4-way button to select one of the following resize options:

- VGA
- 1.3M
- 3.1M
- 5.0M

5 . Press OK when finished.



● Rotate Photos

To rotate a photo, please follow the procedure:

1 . In the Play Mode, use the 4-way button to move to the photo that you want to rotate.



2 . Press the MENU button, and use the left or the right key of the 4-way button to move to the Edit menu.



3 . Press the Up or the Down key of the 4-way button and the OK button to open the Rotate submenu.

4 . Press the Up or the Down key of the 4-way button to select one of the following rotate options:

- 5 . Options:
- Rotate
 - Save
 - Cancel



When you select Rotate, the photo will rotate 90 degrees automatically. You can view the effect on the screen. If you want to continue rotating, please keep on pressing the Rotate button until it meets your requirement.

6 . Press OK when finished.

● Crop Files

The cropping feature enables you to cut off the unwanted parts of a photo. To crop a photo, please follow the procedure:

1 . In the Play Mode, use the 4-way button to move to the photo that you want to crop.



2 . Press the MENU button, and use the left or the right key of the 4-way button to move to the Edit menu.

3 . Press the Up or the Down key of the 4-way button and the OK button to open the Crop submenu.

4 . Press the Up or the Down key of the 4-way button to select one of the following resize options:

- 4: 3
- 3: 2

5 . Press OK when finished.



Use the slideshow feature

The slideshow feature of the player enables you to view all the photos on the LCD screen automatically. You can set the slideshow interval, direction, etc. and customize the slideshow as required.

Refer to the following sections on how to set up a slideshow.

● Set the starting point

To specify the starting point of a slideshow, please follow the procedure:

1 . In the photo mode, enter the photo browsing state.

2 . Press the MENU button, and use the left or the right key of the 4-way button to move to the Slide menu.

3 . Press the Up or the Down key of the 4-way button and the OK button to open the Show submenu.

4 . Press the Up or the Down key of the 4-way button to select one of the following options:

- From current
- From first
- From last

5 . Press OK when finished.



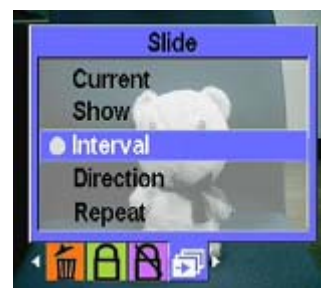
● Set the slideshow interval

To set the interval between consecutive photos during the slide show, please follow the procedure:

- 1 . In the photo mode, enter the photo browsing state.
- 2 . Press the MENU button, and use the left or the right key of the 4-way button to move to the Slide menu.



- 3 . Press the Up or the Down key of the 4-way button and the OK button to open the Interval submenu.



- 4 . Press the Up or the Down key of the 4-way button to select one of the following interval options:

- 1 sec
- 3 sec
- 5 sec

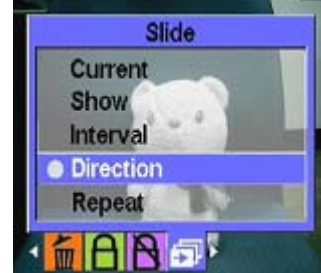
- 5 . Press OK when finished.



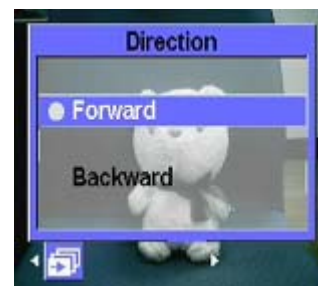
● Set the direction

To specify the order in which the photos are displayed in the slide show, please follow the procedure:

- 1 . In the photo mode, enter the photo browsing state.
- 2 . Press the MENU button, and use the left or the right key of the 4-way button to move to the Slide menu.
- 3 . Press the Up or the Down key of the 4-way button and the OK button to open the Direction submenu.



- 4 . Press the Up or the Down key of the 4-way button to select one of the following direction options:
 - Forward
 - Backward
- 5 . Press OK when finished.



● **Repeat the slideshow**

To show the slides repeatedly, please follow the procedure:

- 1 . In the photo mode, enter the photo browsing state.
- 2 . Press the MENU button, and use the left or the right key of the 4-way button to move to the Slide menu.
- 3 . Press the Up or the Down key of the 4-way button and the OK button to open the Repeat submenu.
- 4 . Press the Up or the Down key of the 4-way button to select Yes to repeat the slideshow, or select No to show the slides only once.
- 5 . Press OK when finished.



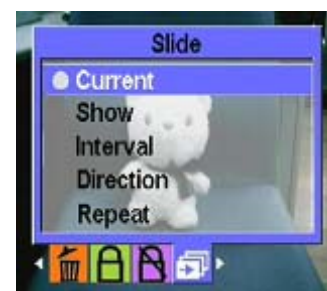
● **Start the slideshow**

After setting up the slideshow, you are now ready to start the slideshow. To start the slideshow, please follow the procedure:

- 1 . In the photo mode, enter the photo browsing state.



- 2 . Press the MENU button, and use the left or the right key of the 4-way button to move to the Slide menu.
- 3 . Press the Up or the Down key of the 4-way button to display the Play This File submenu.
- 4 . Press OK.



The slideshow starts. Press the OK button at any time to stop the slideshow.

Video Browse:

Please refer to the section 13 of photo browsing procedure in the previous section.



MP3 Player:

This media player supports the MP3 music playback of .mp3 and .wmv formats, and displays the lyrics simultaneously. (This feature requires the users to download or edit lyrics by themselves).

● Play:

- 1 . Turn on the player, and enter the multimedia main menu.
- 2 . Use the right key of the 4-way button to move to the MP3 submenu.
- 3 . Use the Up or the Down key of the 4-way button to select the song that you want to listen to.
- 4 . Press OK to begin playing. If you want to listen to the next song, you can use the right key of the 4-way button to move to it.



You can use the Volume Control Button on the side of the player to control the volume by yourself.



When listening to the music, you are recommended to move up the lock button on the side of the player to avoid accidental operations. To continue operating, unlock the button first.

Note 1: If the media player is in the locking state, the LCD doesn't respond when you press the buttons.

Note 2: To make it convenient for you to use the MP3 feature, we have set shortcut keys specially, so you can use the left shortcut key to enter the MP3 menu directly.



● EQ Mode:

You can select various EQ modes according to the type of music. Please follow the procedure:

- 1 . Open the MP3 menu, and use the Up or the Down key of the 4-way button to select the music that you want to listen to.
- 2 . Press the MENU button, and use the left or the right key of the 4-way button to move to the EQ submenu. You can select from the following options:
 - Classical
 - Popular
 - Rock
 - Jazzy
 - Custom
- 3 . Select an option, and press OK to confirm.

● Loop Mode:

- 1 . Open the MP3 menu, and press the MENU button to enter the menu selection.
- 2 . Use the Up or the Down key of the 4-way button to select the Play Modes. You can select from the following options:
 - Single Repeat
 - Continuous
 - Shuffle
 - Circular
- 3 . Select an option, and press OK to confirm.

● Set the LCD to turn off automatically:

You can set the LCD to turn off automatically when MP3 feature is enabled in order to save power.

- 1 . Turn on the player, and enter the MP3 menu.
- 2 . Press OK to enter, and use the Up or the Down key of the 4-way button to select the song to be played.
- 3 . Press OK to begin playing the song. Press the MENU button to display the LCD Automatic Turnoff menu. Press the Up or the Down key of the 4-way button to select one of the following options:
 - 1 minute
 - 2 minutes
 - 5 minutes
 - Never
- 4 . Press OK when finished.

- **Lyric Display:**

This feature only supports the lyrics of .lrc format. You can download or use the proper software to edit the lyrics. To use this feature, you just need to copy the lyrics to the DCIM directory of the player when uploading the songs from the PC. This feature supports 13 languages: English, German, French, Italian, Spanish, Dutch, Czech, Polish, Russian, Traditional Chinese, Simplified Chinese, Korean, Japanese, Bulgarian, Portuguese.

You may search the needed lyrics on the search websites, such as www.google.com, www.baidu.com.

- **Audio Browse:**

Please refer to the section 13 of Photo Browse for the corresponding procedure.

- **Accessories:**

- **Voice Pen:**

You can use this feature to record voice memo. To use this feature, please follow the procedure:

- 1 . Turn on the player, and enter the multimedia main menu.
- 2 . Use the right key of the 4-way button and then the OK button to enter the Accessory submenu.
- 3 . Press OK to enter the Voice Pen submenu.



4 . Use the right key of the 4-way button to move to the Start icon, and press the OK button.



The recording begins, and the player starts to record the recording time simultaneously.

5 . If you want to stop or pause recording, use the left or the right key of the 4-way button to move to the Stop/Pause icon, and press OK to confirm.



6 . When recording is finished, move to the Exit icon, and press OK to confirm.

● **Alarm Clock:**

This digital camera features an alarm clock. To set the time, please follow the procedure:

1 . Turn on the player, and enter the multimedia main menu.



2 . Use the 4-way button and then the OK button to enter the Accessory submenu.



3 . Use the 4-way button and then the OK button to enter the Alarm Clock submenu.



4 . You can use the Up or Down key of the 4-way button to select items.

You can use the Left or the Right key of the 4-way button to set the time and alarm.

5 . Press OK to confirm.



● **Calendar:**

This feature makes it convenient for you to view the date. To create a calendar, please follow the procedure:

1 . Turn on the player, and enter the multimedia menu.



2 . Use the 4-way button and then the OK button to enter the Accessory submenu.



3 . Use the Left or the Right key of the 4-way button to enter the Calendar submenu.



4 . After you enter the Calendar menu, use the Left or the Right key of the 4-way button to adjust the current date.

5 . Press OK to confirm.

● **World time:**

This feature helps you check the current time of different areas. To check the time, please follow the procedure:

1 . Turn on the player, and enter the multimedia menu.



2 . Use the 4-way button and then the OK button to enter the Accessory submenu.



3 . Use the Left or the Right key of the 4-way button to enter the World time menu.



4 . After you enter the World time menu, use the Right key of the 4-way button to enter the menu selection.



5 . Select the required area, and press OK to confirm. The displayed time is the current time of this area.

Reminder: When you use this feature, please confirm the system time of the player first.

● **Calculator:**

1 . Turn on the player, and enter the multimedia menu.



2 . Use the 4-way button and then the OK button to enter the Accessory submenu.

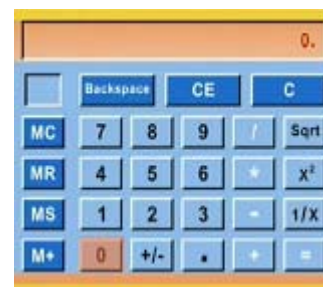


3 . Use the Left or the Right key of the 4-way button to enter the Calculator menu.



4 . Use the Left, Right, Up, and Down key of the 4-way button to enter numbers or symbols.

5 . To finish calculation, move to the = sign, and you can get the result.



● **Currency Exchange:**

This player uses a set of basic exchange rates to make currency conversion.

(See Appendix 3 for the exchange rate table)

1 . Turn on the player, and enter the multimedia menu.



2 . Use the 4-way button and then the OK button to enter the Accessory submenu.



3 . Use the Left or the Right key of the 4-way button to enter the Currency submenu.

4 . First, use the Left or the Right key of the 4-way button to set your basic currency (usually the local currency).



5 . Then, use the Down or the Right key of the 4-way button to enter the amount that you need to convert, and when you finish, press the Left key of the 4-way button to return.

6 . Now you can use the Down key and the Left or Right key of the 4-way button to select the target currency.



7 . Use the Down key of the 4-way button to get the conversion result.

Note: If you enter a value in the second amount field, you can make a reverse conversion, and the conversion result is displayed in the first amount field.

File Browser:

It can display all the files in the folders of this player, which makes it convenient for you to copy or delete these files.

To use this feature, please follow the procedure:

Delete:

- 1 . Turn on the player, and enter the multimedia menu.
- 2 . Use the 4-way button and then the OK button to enter the File Browser.
- 3 . Use the 4-way button to select the file that you want to delete.
- 4 . Press MENU to display the File Management menu.
- 5 . Use the Up or the Down key of the 4-way button to select Delete option, and the current file will be deleted.

Copy:

- 1 . Turn on the player, and enter the multimedia menu.
- 2 . Use the 4-way button and then the OK button to enter the File Browser.
- 3 . Use the 4-way button to select the file that you want to copy.
- 4 . Press MENU to display the File Management menu.
- 5 . Use the Up or the Down key of the 4-way button to select Copy option, and the current file will be copied.
- 6 . Use the Left or the Right key of the 4-way button to select the folder that you want to paste, and press OK to confirm.
- 7 . The previous file will be copied into this folder.

Games:

This player provides various interesting games, which entertain can you in your leisure time.

To select a game, please follow the procedure:

- 1 . Turn on the player, and enter the multimedia menu.
- 2 . Use the Left or the Right key of the 4-way button and then the OK button to enter the Game menu.
- 3 . Use the Left or the Right key of the 4-way button to select your game.
 - Tetris:
 - OTHELLO:
 - Moving box:
 - Puzzle:
 - Magic beads:
 - Lottery:
- 4 . Press OK to confirm and begin to play the game.
(Press the Shutter button at any time to stop the game and return to the previous menu.)



Setup

● Enable sound effect:

Follow the procedure to enable the sound effects:

- 1 . Turn on the player, enter the main menu, and press the right key of the 4-way button to switch to the Setup menu.
- 2 . Press OK to enter, and use the Left or the Right key of the 4-way button to switch to the Sound Effects menu.
- 3 . Use the Up or the Down key of the 4-way button to select On to enable the sound effects, or select Off to disable the sound effects.
- 4 . Press OK when finished.



● Set the USB options (PC- camera):

You can use this player as a storage device to transfer photos to PCs, or to download MP3 or MPEG4 video clips from PCs. In addition, you can also use it as a Web camera to attend video conferences. To set the USB options, please follow the procedure:

- 1 . Turn on the player, enter the main menu, and press the right key of the 4-way button to switch to the Setup menu.
- 2 . Press OK to enter, and use the Left or the Right key of the 4-way button to switch to the USB menu.
- 3 . Use the Up or the Down key of the 4-way button to select one of the following options:
 - MSDC
 - PC-Camera
- 4 . Press OK when finished.



● **Set the welcome picture:**

Follow the procedure to specify the welcome picture shown when the player is turned on.

- 1 . Turn on the player, and press the left or the right key of the 4-way button to switch to the Setup menu.
- 2 . Press OK to enter.
- 3 . Press the left or the right key of the 4-way button to switch to the Welcome menu.
- 4 . Use the Up or the Down key of the 4-way button to select one of the following options:
 - Auto
 - Custom picture
 - Off
- 5 . Press OK when finished.



● **Set the frequency:**

Use the Frequency menu to set the frequency of the player. This value should be the same as the frequency of the power supply at the location where you are using the player. This prevents lights flickering when taking pictures or video.

- 1 . Turn on the player, enter the main menu, and press the right key of the 4-way button to switch to the Setup menu.
- 2 . Press OK to enter, and use the Left or the Right key of the 4-way button to switch to the Frequency menu.
- 3 . Use the Up or the Down key of the 4-way button to select one of the following options:
 - 50Hz
 - 60Hz
- 4 . Press OK when finished.



- **Set the TV out:**

You can connect the digital camera to a TV, and use the TV screen to view photos and play video clips.

Set the output mode:

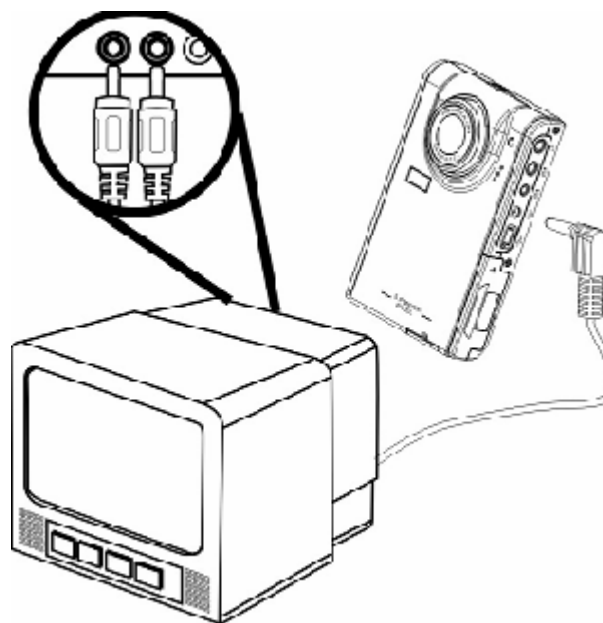
Before connecting the player to a TV, you need to set the TV output mode and make sure that it matches your TV. To set the TV output mode, follow the procedure:

- 1 . Turn on the player, enter the main menu, and press the right key of the 4-way button to switch to the Setup menu.
- 2 . Press OK to enter, and use the Left or the Right key of the 4-way button to switch to the TV Out menu.
- 3 . Use the Up or the Down key of the 4-way button to select the NTSC or PAL option:
- 4 . Press OK when finished.



- **To view photos and videos on the TV, please follow the procedure:**

- 1 . Turn on the player, and press the button 3 times to enter the Playback menu.
- 2 . Select a photo or video, and press OK to enter.
- 3 . Connect the TV out jack on your player to the audio / video input ports on your TV using the AV cable provided. The LCD screen turns off.



- 4 . Follow the procedures described in "Reviewing photos or movie clips" on page 13 to play the files in your machine.

● **Set the auto power off function:**

The auto power off function turns off power automatically after a specified period in order to conserve power. Follow the procedure to set the auto power off interval.

1 . Turn on the player, enter the main menu, and press the right key of the 4-way button to switch to the Setup menu.

2 . Press OK to enter, and use the Left or the Right key of the 4-way button to switch to the Auto Power Off menu.

3 . Use the Up or the Down key of the 4-way button to select one of the following options:

----1 minute

----2 minutes

----5 minutes

----Never

4 . Press OK when finished.

● **Set the date and time:**

Setting an accurate system time helps you record the shooting duration, and convert the world time correctly.

To set the date and time, please follow the procedure:

1 . Turn on the player, enter the main menu, and press the right key of the 4-way button to switch to the Setup menu.

2 . Press OK to enter, and use the Left or the Right key of the 4-way button to switch to the Date and Time submenu.

3 . Use the Up or the Down key of the 4-way button to select from Date or Time.

4 . Press OK to enter.

5 . Use the 4-way button to adjust the values of date or time.

6 . When adjustment is finished, press the Left key of the 4-way button to return to the submenu.



● **Set the language:**

To set the menu language, please follow the procedure:

- 1 . Turn on the player, enter the main menu, and press the right key of the 4-way button to switch to the Setup menu.
- 2 . Press OK to enter, and use the Left or the Right key of the 4-way button to switch to the Language menu.
- 3 . Use the Up or the Down key of the 4-way button to select one of the following options:
 - English
 - German
 - French
 - Italian
 - Spanish
 - Dutch
 - Czech
 - Polish
 - Russian
 - Traditional Chinese
 - Simplified Chinese
 - Korean
 - Japanese
 - Bulgarian
 - Portuguese
- 4 . Press OK when finished.

● **Restore defaults:**

Use the Setup menu to restore the player settings to their default values as follows:

- 1 . Turn on the player, enter the main menu, and press the right key of the 4-way button to switch to the Setup menu.
- 2 . Press OK to enter, and use the Left or the Right key of the 4-way button to switch to the Default menu.
- 3 . Press the Up or the Down key of the 4-way button to select Confirm to reset the player, or select Cancel to cancel the operation.
- 4 . Press OK when finished.



● Format the memory:

Follow the procedure to format the camera's memory:

- 1 . Turn on the player, enter the main menu, and press the right key of the 4-way button to switch to the Setup menu.
- 2 . Press OK to enter, and use the Left or the Right key of the 4-way button to switch to the Format menu.
- 3 . Press the Up or the Down key of the 4-way button to select Confirm to format the player, or select Cancel to cancel the operation.
- 4 . Press OK when finished.

The camera's memory is formatted and all the files including the protected files are deleted.

Warning: Formatting memory will cause all files stored in memory to be erased. Make sure you have backed up any files you want to keep.



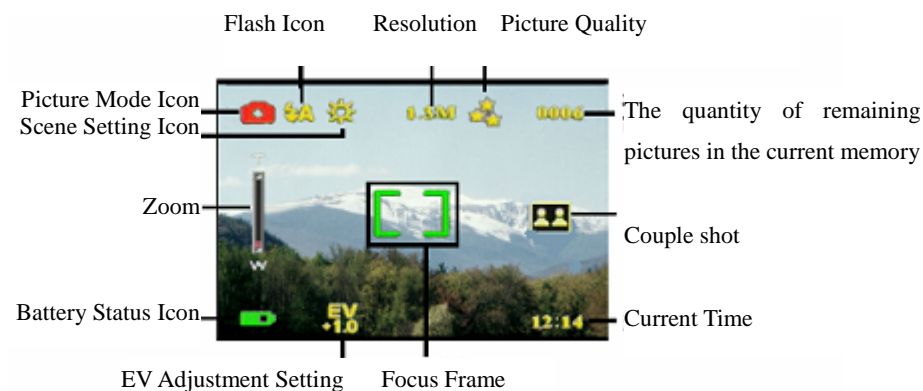
Chapter 4 Camera Mode

With the 5-megapixel setting of this digital camera, you can easily capture the exciting segments of your life. First, you can use the right shortcut key of the player to enter the camera mode directly, which makes it convenient for you to take photos or record videos.

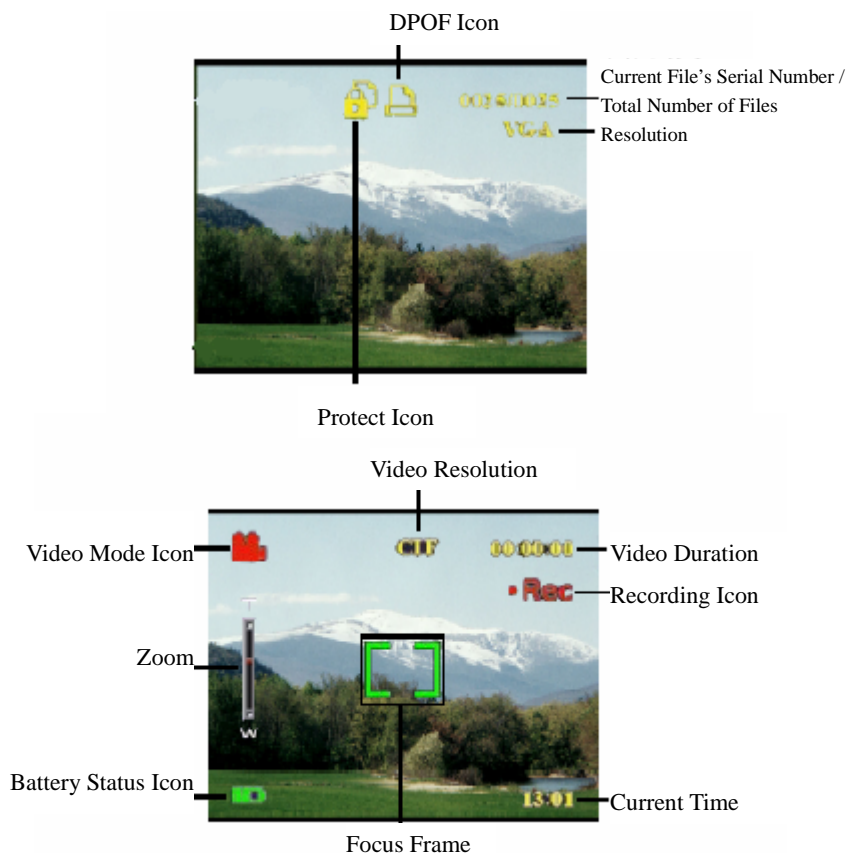
Before that, you should understand the LCD icons in the camera mode:

Each mode uses different icons to represent settings:

Picture Mode:



Video Mode:



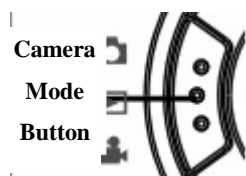
Select the camera mode:

This player has two capture modes: Picture and Video. Use Picture mode to capture still images.

Use Video mode to capture video and audio.

Use the third mode (Play Mode) to view pictures and videos, and listen to audio.

Use the left shortcut key to change modes:



- Press once to enter the Picture Mode.



- Press twice to enter the Video Mode.



- Press thrice to enter the Play Mode.



- **Take pictures**

- 1 . Turn on the digital camera. Make sure the player is in the Picture mode.
- 2 . Frame the picture using the LCD.
- 3 . Press the Shutter button.

Use the multimedia playback button to adjust the camera's settings

You can adjust the player's settings to take better pictures.




- **Use the digital zoom**

The player has a 8× digital zoom, allowing you to enlarge the subject without moving closer.

- 1 . Turn on the player. Make sure the player is in the Picture or Video mode.
- 2 . Frame the picture using the LCD.
- 3 . Push the Volume button upwards to increase the zoom factor and take a close up picture of the subject with more detail. Push the Volume button downwards to decrease the zoom factor and take a wider picture with less detail.
- 4 . Press the Shutter button to take the picture.

● Use the flash

The flash has three settings for different lighting conditions. Press MENU button to enter the menu, and display different flash settings.

Icon	Description
	Flash automatically as necessary
	Enable flash
	Disable flash

● Use the self-timer

The self-timer allows you to take hands-free pictures and videos such as self portraits or group photos.

- 1 . Turn on the player. Make sure the player is in the Picture mode.
- 2 . Put the camera on a stable surface such as a tripod or table, and then frame the picture.
- 3 . When framing the picture, adjust zoom or flash settings as necessary.
- 4 . The self-timer has two delay settings.
Press the MENU button to enter the Picture menu. Press the left or the right key to adjust, and enter the Self-timer menu.
Select the required delay-time option, press OK to confirm, and press the MENU button to return to the Picture Mode.
- 5 . Press OK or the Shutter button. The counter begins counting down on the LCD. The LED on the front of the player flashes once a second to countdown.



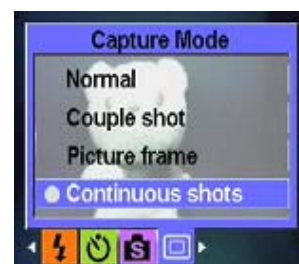
● Continuous shots

You can take pictures very quickly one after the other using the Continuous Shots setting. You can use it to shoot a series of actions for 3 times.

- 1 . Turn on the player. Make sure the player is in the Picture mode.
- 2 . When framing the picture, adjust zoom or flash settings as necessary.



3 . Use the Down key of the 4-way button to select the Continuous Shots option, and press MENU to return.



4 . This feature has been set. Press OK to begin continuous shots.

● **Couple Shots**

This feature enables you to shoot different objects on a single screen.

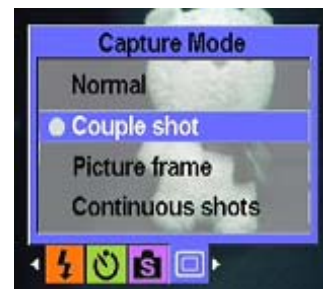
See the following procedure for detail:

1 . Turn on the player. Make sure the player is in the Picture mode.



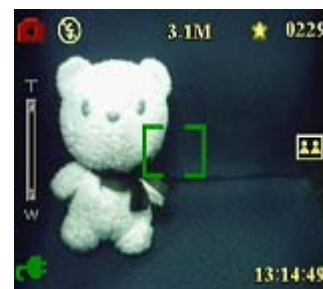
2 . Press MENU, and use the Left or the Right key of the 4-way button to enter the Capture Mode menu.

3 . Use the Down key of the 4-way button to select the Couple Shots feature.



4 . Press MENU to return, and begin shooting.

The Couple Shots icon is displayed on the LCD screen.



5 . Select an object to shoot. The player will save the left half screen, and when you select another object to shoot, the player will save the right half screen.

6 . When you have finished, you can enter the multimedia menu to browse photos.



● Picture Frame

Picture frame enables you to select various backgrounds to make personalized decoration. See the following procedure for detail:

- 1 . Turn on the player. Make sure the player is in the Picture mode.
- 2 . Press MENU, and use the Left or the Right key of the 4-way button to enter the Capture Mode menu.



- 3 . Use the Down key of the 4-way button to select the Picture Frame feature.



- 4 . Press OK to enter the Picture Frame submenu. You can select different picture frames to shoot. Press OK to confirm.



For example: If you select an option, press OK to confirm, and press MENU to return, the LCD screen will display the pattern for this option, and you only need to aim the picture frame at the scenery to shoot.



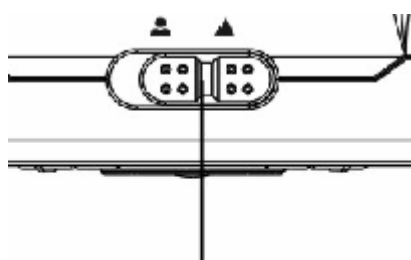
● Change the focus setting:

You can change the focus setting of the player for different conditions. Change the setting using the Focus switch.

Move the focus switch to the label on the right side to shoot subjects faraway from the lens. 🏔️

Move the focus switch to the label on the left side to shoot subjects close to the lens. 👤

Figure:



Focus Switch

- **Record videos**

- 1 . Turn on the player. Make sure the player is in the Video mode.
- 2 . Frame the picture using the LCD.
- 3 . Press the Shutter button or OK to begin recording the video.
- 4 . When you have finished, press the Shutter button or OK to stop recording.



Adjust the player settings using the menu:

You can adjust settings using the on-screen menu. This enables you to configure the camera settings and capture pictures with optimum quality.

Note: The LCD must be switched on to access the on-screen menu.

- **Use the scene settings**

Use this menu item to specify a setting according to the light environment in which you are taking pictures. To set the scene, please follow the procedure:

- 1 . Turn on the player and switch to the Picture Mode.
- 2 . Press Menu.
- 3 . Press the Left or the Right key of the 5-way button to switch to the Scene menu.
- 4 . Press the Up or the Down key of the 4-way button to select a scene option:
 - Auto
 - Portrait
 - Scenery
 - Night scene
 - Motion
 - Couple shot
 - Sepia
 - B/W
 - Pink
 - Green
 - Blue
- 5 . Press OK when finished.



Note: In video mode, only Auto, Sepia and B/W scene options are available.

● Set the resolution:

Use this menu item to select the resolution of the image as follows:

- 1 . Turn on the player and switch to the Picture Mode.
- 2 . Press MENU.
- 3 . Press the Left or the Right key of the 4-way button to switch to the Resolution menu.
- 4 . Press the Up or the Down key of the 4-way button to select a scene option:
 - VGA
 - 1.3M
 - 3.1M
 - 5.0M
 - 10.0M
5. Press OK when finished.



● Set the date stamp

The Date Stamp menu enables you to imprint the time and the date on the image. To set the date stamp, please follow the procedure:

- 1 . Turn on the player and switch to the Picture Mode.
- 2 . Press MENU.
- 3 . Press the Left or the Right key of the 4-way button to switch to the Date Stamp menu.
- 4 . Press the Up or the Down key of the 4-way button to select a date stamp option:
 - No stamp
 - Only date
 - Only time
 - Date and time
- 5 . Press OK when finished.



● Set the white balance:

The white balance enables you to change the preset white balance setting to suit the lighting conditions in which the picture is taken.

1 . Turn on the player and switch to the Picture Mode.

2 . Press MENU.



3 . Press the Left or the Right key of the 4-way button to switch to the White Balance menu.

4 . Press the Up or the Down key of the 4-way button to select a scene option:

- Auto
- Daylight
- Cloudy
- Tungsten
- Fluorescent



6 . Press OK when finished.

● Set the EV adjustment

The EV Adjust menu enables you to set the amount of light that enters the player while taking the picture. The EV compensation is expressed as a single number that is used by the digital camera to calculate the correct combination of aperture and shutter speed for producing optimum quality pictures. Setting a higher EV compensation value will over-expose a shot; setting a lower value will under-expose a shot. Exposure can be adjusted from -2.0 to $+2.0$. The value is shown on the LCD display. To change the EV compensation value, please follow the procedure:

1 . Turn on the player and switch to the Picture Mode.

2 . Press MENU.

3 . Press the Left or the Right key of the 4-way button to switch to the EV Adjust menu.

4 . Press the Up or the Down key of the 4-way button to select one of the following values:

- -2.0
- -1.5
- -1.0
- -0.5
- Normal



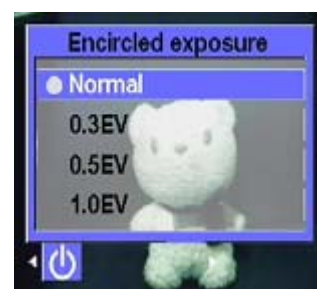
7 . Press OK when finished.

● Set the encircled exposure

The encircled exposure enables you to use the light in a certain range to produce optimum quality pictures when you are at a fixed scene. (Only available in the Continuous Shots mode)

Follow the procedure to set the encircled exposure:

- 1 . Turn on the player and switch to the Picture Mode.
- 2 . Press MENU.
- 3 . Press the Left or the Right key of the 4-way button to switch to the Picture Mode menu.
- 4 . Select the Continuous Shots submenu, and press OK to enter.
- 5 . Press the Up or the Down key of the 4-way button to select one of the following encircled exposure values:
 - Normal
 - 0.3 EV
 - 0.5EV
 - 1.0EV
- 6 . Press OK when finished.



● Set the quality

Follow the procedure to specify the image or video quality:

- 1 . Turn on the player and switch to the Picture or Video mode.
- 2 . Press MENU.
- 3 . Press the Left or the Right key of the 4-way button to switch to the Image Quality menu.
- 4 . Press the Up or the Down key of the 4-way button to select one of the following quality options:
 - Basic 1:16
 - Better 1:12
 - Best 1:8
- 5 . Press OK when finished.



● Order prints

You can set up printing information for printing the digital images taken with your digital camera. Refer to the following sections for more information:

Use DPOF

The DPOF (Digital Print Order Format) refers to a format that is used for recording the print specifications of images. Follow the procedure to set the DPOF information for a selected image.

- 1 . In the Play Mode, use the 4-way button to move to the desired image.



- 2 . Press MENU, and use the Left or the Right key of the 4-way button to switch to the Print menu.
- 3 . Press the Up or the Down key of the 4-way button to select Current to set the DPOF information of the current image, or select Reset to clear the DPOF information of the image.

- 4 . Press OK.

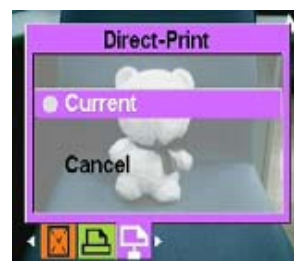
The DPOF information is stored with the image as indicated by the DPOF icon. This information enables you to print the images on a DPOF-compatible printer.



Use Direct-Print

You can also connect a printer to the player using the USB port and print images directly. To set the number of prints for an image, please follow the procedure:

- 1 . In the Play Mode, use the 4-way button to move to the desired image.
- 2 . Press MENU, and use the Left or the Right key of the 4-way button to switch to the Direct-Print menu.
- 3 . Press the Up or the Down key of the 4-way button to select Current to print the current image, or select Cancel to cancel the operation.
- 4 . Press OK.



Note: This media player supports printers compatible with "PictBridge" system.

Chapter 5 Connect to a PC or TV

This chapter describes how to connect the media player to a TV for reviewing your pictures and videos.

Install the software

The software CD provided with the player contains the software driver required to use the player as a web camera and to transfer data from it. It also contains various software applications to help you view and edit your digital photos and videos. To install the software, please follow the procedure:

- 1 . Insert the CD into your PC's CD drive. The CD menu is displayed.
- 2 . Select one of the following options:
 - Digital camera Driver
 - Ulead Photo Explorer 8.0SE
 - Ulead Video Studio 7.0SE
 - Ulead Cool 360
 - MP3 Workshop
 - Video Magic
 - Adobe Acrobat Reader
 - User's Manual
- 3 . Click Install to start the installation. Follow the instructions on the screen to complete the installation.

Connect to a PC

To connect the camera to your PC, please follow the procedure:

- 1 . Turn on the player.
- 2 . Connect the player to the computer with the USB cable.
- 3 . The LCD screen displays MSDC and then turns off. All the buttons of the player are disabled.
Note: Please confirm the setting of the USB option correctly. See page 27 for re-setting.

Connect to a TV

You can connect the player to a TV and use the TV screen to review your images and play back your video clips. In addition, you can also use this player to record your favorite TV programs, and select the Karaoke feature to record your favorite songs.

Before using the feature, you need to make sure that the output mode is correct. See page 28 on how to set the output mode.

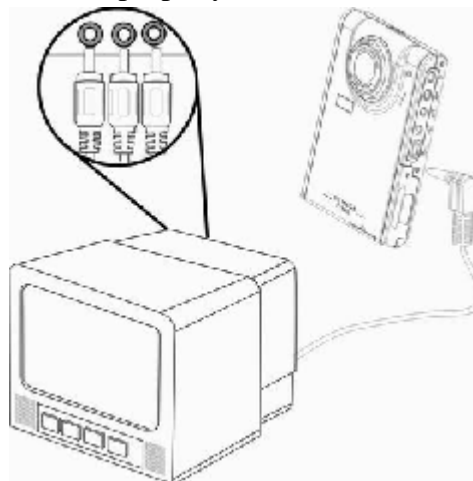
To review your images and videos on the TV, please follow the procedure:

- 1 . Turn on the player, and make sure that it is in the Play Mode.
- 2 . Connect the TV out jack on your player to the audio / video input ports on your TV using the AV cable provided. The LCD screen turns off.
- 3 . Follow the procedures described in the previous section "Reviewing photos or movie clips" to play the files in your machine.

Record TV program or Karaoke

You can connect the player to a TV to record your favorite TV program, and use the Karaoke feature to record your own songs.

First, make sure that the TV-IN cable has been connected with the TV properly:



To record TV programs or Karaoke,

Please follow the procedure:

- 1 . Connect the TV-in jack on your player to the audio / video input ports on your TV using the AV-IN cable provided.
- 2 . Turn on the player, and enter the TV-IN mode.
- 3 . Press MENU to enter the menu.
- 4 . Use the Up or the Down key of the 4-way button to select the Record TV Program or Record Karaoke feature.
- 5 . Press OK to begin recording.

Record TV programs at a certain time

When you select to record TV programs, you can set the feature to make recordings at a certain time.

Please follow the procedure:

- 1 . Connect the player to your TV using the AV-IN cable, and enter the TV-IN mode.
- 2 . Press MENU to enter the menu.
- 3 . Use the Left or the Right key of the 4-way button to select the Scheduled Recording menu.
- 4 . Use the Up or the Down key of the 4-way button to open the Scheduled Recording submenu.
- 5 . Use the 4-way button to set the start time and the end time.
- 6 . The time settings are confirmed, and the media player will begin to record TV programs at your desired time.

Appendix 1: Specifications

Image sensor	1/1.8-inch CMOS
Resolution	5 megapixels (2592 × 1944 pixels)
Extrapolated resolution	12 megapixels
Shutter speed	1/6~1/1000 second
Zoom	8x digital zoom
LCD	2.5-inch TFT
Internal memory	128 MB
Supported media	SD (Secure Digital) Card
Format: Image Video Audio	JPEG/EXIF2.1/DPOF AVI(CIF)/ Divx/Mov/ASF WAV/MP3
Connections	USB2.0 TV (Audio/Video) out
Power	Lithium battery
Weight	123g

Appendix 2: Error Messages

Error Message	Possible causes	Solutions
Card Full	The card is full, and no more files can be stored on it.	Delete some files or insert another card.
Write-Protect	Card has been write-protected.	Move the card's write-protect switch to turn off write protection
Picture Error	The picture cannot be viewed with the camera	View the image on a computer. If the picture cannot be viewed, the file may be damaged.
Card Error	<ul style="list-style-type: none"> ● The card may be damaged. ● The card may require formatting. 	<ul style="list-style-type: none"> ● Format the card ● Insert another card.
No picture	No files exist in the memory or on the card	<ul style="list-style-type: none"> ● Take pictures or videos. ● Insert another card.
Card Setup	The card is not formatted	Format the card
Battery Empty	Battery does not have sufficient power for the player to operate.	<ul style="list-style-type: none"> ● Replace the batteries. ● Recharge the batteries.

Appendix 3: Exchange Rate Table

per 100 USD	Britain Pounds	52.371258
	Canada Dollars	123.886381
	China Yuan	827.663853
	Euro	75.782560
	France Francs	865.576654
	Germany Marks	258.083796
	India Rupee	4360.009753
	Japan Yen	10534.323718
	Russia Rubles	2773.975815
	South Korea Won	100771.22507
	Taiwan Dollars	3117.687159



Blaze MP3 Workshop

Blaze MP3 Workshop is a full featured and easy to use convert tool. It can support CD, DVD, VCD, MPEG4 convert MP3 file, and also support record function and save as MP3 format.

Latest Version:	1.0
Release Date:	Apr. 15, 2004
File Size:	0.8MB
Language:	English, Simple Chinese,

Key Feature

Convert function	<ul style="list-style-type: none"> ● Support CD, DVD, VCD, WAV,OGG,VOB,DAT,MPG,RM,RMVB,MOV and all the audio file convert to MP3 Format. ● Offer multiple out-put audio module: stereo, Jstereo, Dual channel, mono. ● Support enable available bit rate, to get quality sound.
Record function	<ul style="list-style-type: none"> ● Support all kinds of audio to record, including Mic-phone, CD-player, Line-in, etc. ● Support capture all the audio from sound card and record to MP3 file, from digital to digital, so without any loss.

System Requirements

	Basic	Recommended
CPU	Intel Celeron 400MHz	Intel Pentium III 700MHz
System memory	64MB RAM	128MB RAM
Operating system	Windows 98, Windows 98SE, Windows Me, Windows 2000, Windows XP	
Display card	Have 24 Bits resolution and support DirectX, 8MB or more	
Sound card	PCI sound cards, Integration chipset on mainboard, USB audio devices etc. compatible with Windows and stereo speakers	
Device	All DVD drives	
Hard-disk available capacity	At least 10 MB	
DirectX	DirectX 8.0 or later	

Introduction of Blaze Video Magic V1.0

Blaze Video Magic V1.0 is a suite of powerful multimedia transformation software, which can transform media files into ASF and AVI format under Windows systems. It is different from other transformation softwares on the internet, which are either full of advertisements, or too simple in functionality, or only for a certain type of file format.

If you need to transform various video files, you have to install many different transformation softwares. **Blaze Video Magic V1.0** integrates all transformation features, which can transform all kinds of video files into the file formats that you need through an easy-to-use interface. These file formats include photos, ASF files that are mainly used as the stream media format on the internet, and AVI files encoded with MPEG4 that are mainly used as the Smartphone playback format on various portable MPEG4 digital devices or mobile phones. Let's learn and experience the exciting features of it.

1. Main Interface



2. Output Type

AVI-MPEG4 is mainly for the portable digital devices using Excellent Coach 7.

3. Brief Instructions

3.1 Load files: Use the Add File button on the interface to load the files to be transformed and drag them into the list box.

3.2 Preview: Preview the source file in the list box through the playback window in the upper right corner.

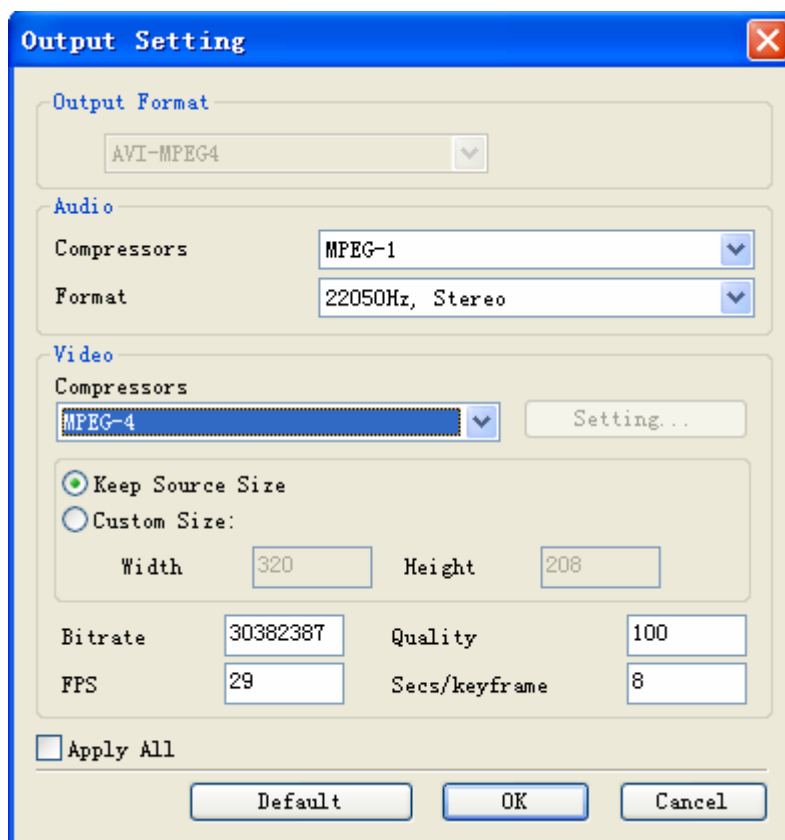
3.3 Transform: Click the Start button in the bottom right corner to change it into Stop, which indicates that all the video source files in the list box are being transformed. The current file and the total progress are displayed at the bottom center of the interface. You can click the Stop button again to stop transforming.

3.4 Delete files: Delete the highlighted files in the current list box.

3.5 Select all: Select all the files in the list box.

3.6 Output setting: Click the Setting button to show an Output Setting box, which is used to set parameters.

3.6.1 The Edit button can only be used to set the files of a certain transformation type in the list box, and it will show the following setting box.



3.6.2 The Setting button after the Output Type is a global setting, which affects the parameters of all the options in the list box.

3.6.3 Users can change the resolution of video files in the output settings, which are usually 320*240, 640*480. The setting of quality can affect the video quality.

4. System requirements

Main Frequency: 433MGHZ and above

Memory: 64M and above

Hard Disk: Depending on the size and coding of the transformed files. The system disk should have 1G free space at least.

OS: Win9x, WIN2000 , WINXP

Required software:

DirectX8.0 and above;

Window media player 9.0 and above;

Real one player (recommend to use the latest version);

QuickTime Player (recommend to use the latest version).

5 Supported video file formats:

Real Media Files (*.RM;*.RMVB)

Windows AVI Files (*.AVI)

Windows Media Video Files (*.WMV)

Advanced System Format (*.ASF)

MPEG(*.MPG;*.MPEG;*.MPE)

MPEG4 Files(*.MP4)

VCD(*.DAT)

Quicktime Files(*.MOV)

DVD(*.VOB)

Output Type:

AVI (Video format: MPEG-4, Audio format: MPEG-1)