

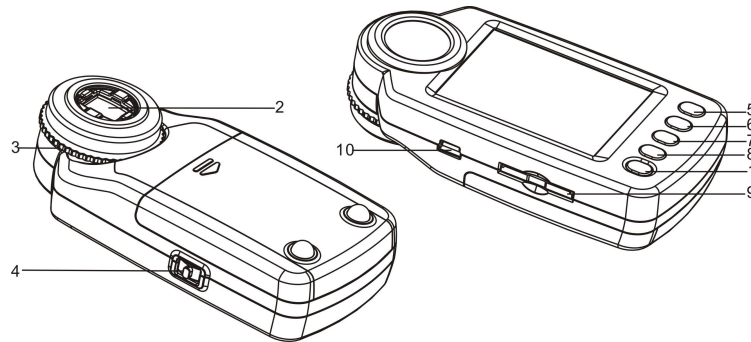
Magnifique

Manual

1. PACKING CONTENT

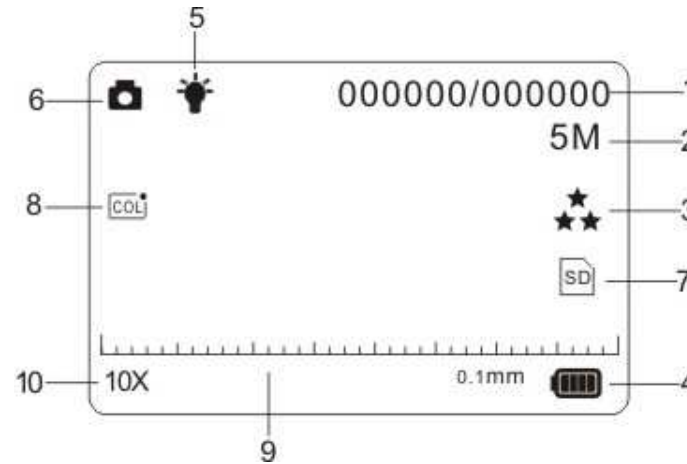
- 1) MAGNIFIQUE Unit
- 2) Installation CD Disk
- 3) AAA Battery X4
- 4) User Manual
- 5) Mini-USB Cable
- 6) Pouch

2. CONTROLS



1	POWER	Power on/off the unit by hold down POWER button for 2 seconds
2	LENS	It helps to locate len over the observed object.
3	DISTANCE DIAL	Adjust this dial to focus and get a clear image with your observed object.
4	ZOOM WHEEL(Left Or Right key selection)/ CAPTURE(OK)	A 3 way button performs Zoom in and out by turning ZOOM WHEEL left (zoom out -) or right (zoom in+), Press down the ZOOM WHEEL onwards to - capture a image in photo mode, or - start recording in video mode. Press once again to stop video recording in video mode. You may use ZOOM WHEEL to select options (Left or right)and CAPUTRE(OK) to confirm, if any menu/sub-menu is available.
5	MODE(Up)	Press MODE button to Switch photo/video mode. In Menu Mode: Up selection Key.
6	LIGHT(Down)	Press this button to switch Light modes . (Low→Middle→High→Off) In Menu Mode: Down selection key.
7	MENU/ DELETE	Press MENU/DELETE button for advanced settings. Press again to exit MENU mode. Press this button to delete media file in PLAYBACK mode
8	PLAYBACK	Press PLAYBACK button to play your saved photo/video files. Single→Thumbnail (3x3 pix) →Exit playback mode
9	SD CARD SLOT	Insert a SD Card (support SD/HCSd card, up to 16G) to save your photo/video files.
10	MINI USB SOCKET	Transfer your photo/video files to computer by using USB cable connection.

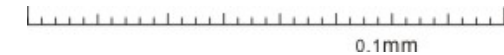
3. EXPLANATION OF THE STATUS ICONS



Item	Function	Description
1	Photo/Video counter	Photo mode: No. of pictures had been taken. Video mode: Recording time in second. Playback mode: No. of pictures or video file.
2	Selected resolution	5M = 2560x1920; 3M = 2048x1536; 1.3M = 1280x960; VGA = 640x480
3	Picture quality	☆☆ Super fine. ★★ Fine. ★ Normal.
4	Battery indicator	▢ The batteries are full. □ The batteries are empty.
5	LED Status indicator	● Low ● Middle ● High
6	Mode selected	📷 Photographs mode. 📹 Videos capture mode.
7	SD Card Status indicator	SD SD card inserted
8	Effect Status indicator	Show effect status: Moving insect/ Sepia/ B&W/ Negative/ Text
9	Ruler	Ruler status indicator
10	Magnification indicator	Show magnification status

4. BASIC OPERATION

- Install 4 pieces of AAA batteries in MAGNIFIQUE.
- Power on your MAGNIFIQUE by pressing and holding the POWER button for 2 seconds.
- Place your observed object below Digital Magnifier's Lens.
- The object will be displayed on the screen. Adjust the DISTANCE DIAL button to get the best image of the object.
- Turn the DISTANCE DIAL ,you will find two clear dots, which are in accordance with the smaller zoom ratio(10X optical magnification) and the larger zoom ratio(17X optical magnification). Turn the DISTANCE DIAL up/down until the rule is displayed, and then adjust it properly to get the clear image.
- This camera provides the Off / Low brightness/Middle brightness/High brightness modes. You can choose the proper LED brightness when you observe the close-up object.
- You can use the provided rule to measure the observed object. The length represented by every bar is displayed on the right of the rule. Take the diagram below as an example, every bar represents 0.1mm, you can calculate the length of the object according to the bars it takes up.



Note :

1. Make sure the camera lies flatly on the observed object.
2. The value measured by the rule may have some deviations because of the difference in focusing positions.

The value is just for reference.

- The current zoom ratio will appear on the lower left of the rule. Zoom your view by turning ZOOM WHEEL left (zoom out) or right (zoom in). When the optical zoom ratio is 10.x, the maximum digital zoom ratio is up to 320.x; when the optical zoom ratio is 17.x, the maximum digital zoom ratio is up to 500.x.
- Note:**
The bigger the digital zoom ratio, the large the variation the ruller and the real zoom ratio, and at the same time the worse the image quality. So please select the appropriate digital zoom ratio according to your need.
- Switch between photo/video mode by pressing MODE button. Press CAPTURE button (Zoom wheel) onwards to take a photo/video, it will be saved into SD memory card which installed in the unit.
- View your saved photo/video file in PLAYBACK mode.
MAGNIFIQUE will saved your captured image as JPEG format (picture), and AVI In video mode, which can be played with your computer.

5. PLAYBACK

Play your saved photo/video files with MAGNIFIQUE in PLAYBACK mode.

- MAGNIFIQUE provides 2 optionS: a) Single b) Thumbnail
- Press PLAYBACK button to enter single PLAYBACK mode
- In single PLAYBACK mode, press up/down key to previous or next media, press Menu key into delete/ slide show selection menu.
- When slide show playing, you can stop by press OK Key.
- In single photo PLAYBACK mode, turn ZOOM WHEEL to Zoom in or Zoom out. In zoom in mode, press the Ok button to enter Playback Photo mode. Press the ZOOM WHEEL button to move left/ right and the MODE and LIGHT buttons to move up/ down to view the photos
- In thumbnail mode, Turn ZOOM WHEEL left/right and press up/down key to select media, press CAPTURE/OK to view.
- You may delete a single photo/video file or all files from your SD card by pressing MENU/DELETE button in single PLAYBACK mode.
- Press PLAYBACK button until PLAYBACK mode exit (single→thumbnail→exit)
- In single PLAYBACK mode, press OK Key exit PLAYBACK Mode.

6. ADVANCED SETTING

It provides various options to customize your MAGNIFIQUE. Press MENU button for advanced setting. To make selection, turn ZOOM WHEEL left/right and press up/down key to highlight your selection, press CAPTURE/OK to confirm.

Item	Function	Description
1	PHOTO QUALITY	Super Fine/Fine/Normal
2	PHOTO RESOLUTION	a)5M :5MEGA PIXELS (2560 x 1920) b)3M :3MEGA PIXELS (2048 x 1536) c)1.3M :1.3MEGA PIXELS (1280 x 960) d)VGA 640*480 (640 x 480)
3	AUTO POWER OFF Automatically power off the unit after it goes idle for a desirable period.	Off / 1Minute / 3 Minutes / 5 Minutes
4	Date/Time SETUP Adjust your current date and time with your following format	YY/MM/DD. Date or time setting
5	QUICK REVIEW (set the review time after capture photo)	Off / 0.5 Seconds / 1 Seconds / 3 Seconds
6	DEFAULT Setting Use DEFAULT to load default factory setting. Do it will delete all user Settings)	a)NO b)YES Press MENU button to Exit. MAGNIFIQUE will reboot and reset to factory setting after choosing this option.
7	FORMAT Format the memory card which installed in this unit	a)NO b)YES Press MENU button to Exit. MAGNIFIQUE will reboot after press CAPTURE/OK button (Note: ALL data in SD card will be deleted!)
8	EFFECTS Apply special effect in observation or photo/video capture. Various special effort are provided	a)MOVING INSECT b)SEPIA c)B&W d)NEGATIVE e)TEXT f)EXIT
9	LANGUAGE	LANGUAGE feature allows you to display the menus and screen messages in different languages. MAGNIFIQUE provides 9 languages. Highlight your preference language CAPTURE/OK to confirm. languages include: English/French/German/Italian/Portuguese/Spanish/S-Chinese/T-Chinese/ Japanese
10	S.IMAGE Welcome Screen image	a)ON b)OFF
11	FREQUENCY	a) 50Hz b) 60 Hz
12	FW VER	Show FW version

7. POWER SUPPLY

- MAGNIFIQUE can run from batteries (4XAAA).
- For lengthy storage periods, Please remove batteries to prevent damage due to battery leakage/ discharge.
- MAGNIFIQUE use alkaline batteries. Do not mix battery types in use and do not recharge alkaline batteries.

8. SPECIFICATION PRODUCT INFORMATION

1	MAGNIFIQUE	Digital Mobile Magnifier/ Microscope
2	SIZE	115L × 68W × 24.6H mm
3	SENSOR	5.0 Mega pixels CMOS
4	STILL IMAGE RESOLUTION	5.0 Mega Pixel (2560 x 1920) 3.0 Mega Pixel (2048 X 1536) 1.3 Mega Pixels (1280 X 960) VGA (640 X 480)
5	IMAGE FORMAT	JPEG
6	VIDEO RESOLUTION	VGA (640 X 480) QVGA (320 X 240)
7	VIDEO FORMAT	AVI
8	MAGNIFYING RATE	10X~500X
9	FOCAL RANGE	Manual Focusing: 0.5CM~5CM
10	PLAYBACK ZOOM	4X
11	MEASURE FUNCTION	Rule for measuring length refence
12	LENS	High sensitivity lens
13	SHUTTER SPEED	1/2 to 1/2000 seconds
14	AUXILLARY LIGHT	White LED × 4 with super high brightness
15	LCD SCREEN	2.7" TFT color LCD screen
16	MEMORY	No built in memory ,need insert SD card for store file.
17	USB Port	USB 2.0 High Speed
18	POWER	4 x AAA, 1.5V alkaline batteries
19	WEIGHT	Approximately 87 grams (not including batteries)
20	OPERATION TEMPATURE	0°C ~ 45°C
21	ENVIRONMENT HUMIDITY	Below 85% (no dew) recommended
22	BATTERY LIFE	Stand by: 90Minutes (LED high Light Mode)
23	LANGUAGE	English/French/German/Italian/Portuguese /Spanish/S-Chinese/T-Chinese/ Japanese

9.SYSTEM REQUIREMENT

1	OPERATION SYSTEM	Window XP SP3/ Vista/ Windows 7 Mac 10.4 or above
2	CPU	Pentium 4, 3.0G or faster recommended
3	RAM	1GB MB RAM (Vista: 2GB)
4	INTERFACE	USB port
5	CD Rom	CD Rom Driver

easypix®
Keep it real.



For EU only
AM-M5A4-GB-CLV-1