

# KIDDYPIX® BLIZ



## CAMERA FOR CHILDREN

### Operating instructions

**FR :** Un manuel dans votre langue est disponible sur Internet:

**IT:** Il manuale nella sua lingua può essere trovato su Internet:

**ES:** Puede encontrar un manual en su idioma en Internet:

**PT:** Um manual em seu idioma pode ser encontrado na Internet:

**PL:** Instrukcję w swoim języku możesz znaleźć na stronie:

**SV:** En handbok på ditt språk finns på Internet:

**NL:** Een handleiding in uw taal vindt u op internet:

**[bit.ly/3t0wUIb](http://bit.ly/3t0wUIb)**



## **Table of contents**

General information .....	3
Explanation of symbols.....	4
Product description .....	4
Intended use.....	5
Restrictions .....	5
Safety instructions .....	6
Operating environment .....	7
Camera description .....	8
First steps.....	12
Camera menu .....	13
Photo mode .....	13
Video mode .....	14
Game mode .....	15
Audio mode .....	16
Playback mode .....	18
Settings.....	18
FAQ .....	20
Technical data .....	22
Scope of delivery .....	23
Disposal .....	24
Declaration of conformity.....	26

## **Disclaimer**

Easypix makes no representations or warranties in relation to this manual and, to the fullest extent permitted by law, expressly limits its liability for breach of any warranty which may arise from substitution of this manual for any other. Furthermore, Easypix reserves the right to revise this publication at any time without obligation to notify any person of such revisions.

Easypix is not responsible or liable for any misuse of the information contained herein. If you have any suggestions for improvements or changes, or if you have found any errors in this publication, please let us know.

When installing and using this product, all relevant state, regional and local safety regulations must be observed. For safety reasons and to ensure compliance with the documented system data, only the manufacturer may carry out repairs on components.

Failure to follow this information may result in injury or equipment damage.

Copyright © Easypix GmbH

All rights reserved. No part of this publication may be reproduced, distributed or transmitted in any form or by any means, including photocopying, recording or other electronic or mechanical methods, without the prior written permission of the publisher. For permission requests, please contact the publisher in writing.

Easypix GmbH, Em Parkveedel 11, 50733 Cologne, Germany.  
support@easypix.com - www.easypix.com

## **General information**

Please read this manual and its safety instructions before using this product. Follow all instructions. This will prevent hazards that can lead to property damage and/or serious injury.

The product may only be used by persons who have fully read and understood the contents of this user manual. Ensure that each person using the product has read and follows these warnings and instructions.

Keep all safety information and instructions for future reference and pass them on to subsequent users of the product.

The manufacturer is not liable for damage to property or personal injury resulting from incorrect handling or failure to observe the safety instructions.

## Explanation of symbols



**WARNING**

"Warning" indicates a hazard with a risk which, if not avoided, may result in injury.

***NOTE!***

"Note" indicates information that is considered important but is not hazard-related.

## Product description

This camera is a dual lens camera for children.

This means it has one lens on the front and a second lens on the back. With this camera, children can take wonderful photos and videos, take selfies, record and play back sounds and voices, discover fun effects and picture frames and play various games.

## Intended use

This product is suitable for use both indoors and outdoors.

## Restrictions



**WARNING**

The product is not suitable for children under 3 years.  
Contains small parts. Choking hazard.



**WARNING**

The product is not waterproof.  
It should not be submerged in water or used in a wet environment.

## Safety instructions



### WARNING

This product is only suitable for the purpose described, the manufacturer is not liable for damage caused by improper use.



### WARNING

**Please read these operating instructions carefully before use.**

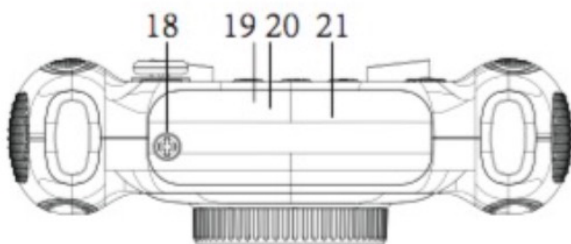
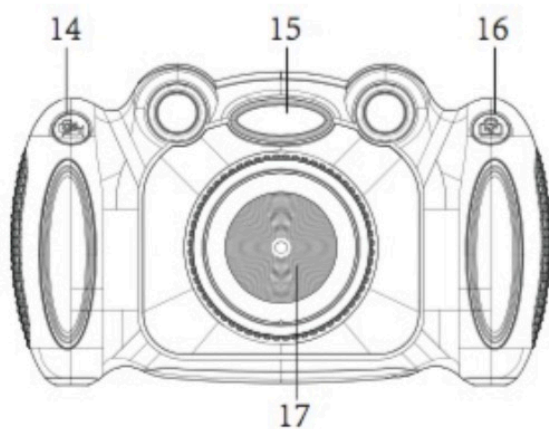
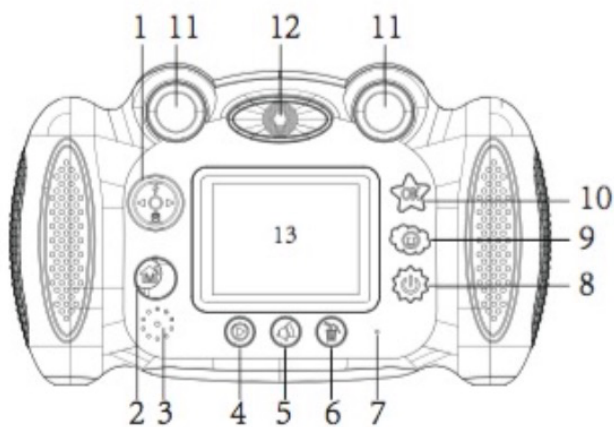
- Always protect your camera from drops, bumps and shocks.
- Keep a sufficient distance from objects that generate strong magnetic fields or radio waves to prevent them from damaging the product or affecting the picture quality.
- In the unlikely event of overheating, smoke or unpleasant odours coming from the unit, immediately remove the AA battery and stop operation.
- Please do not disassemble the product. Otherwise, any guarantee will be invalidated.
- Please dispose of waste and residues at the end of the product's life in accordance with local laws and regulations.

## Operating environment

- The product should not be exposed to high temperature and humidity differences to avoid condensation inside the housing or behind the lens.
- Store the product in a cool place (at room temperature) in a dry and dust-free place and never expose it to high temperatures or permanent direct sunlight.
- Protect the product from falls, bumps and knocks.



## Camera description



### **1. Arrow key:**

Up/Down/Right/Left

### **2. Mode/Back button:**

Select the operating mode (Photo, Video, Games, Audio, Playback, Settings) and confirm with the OK button (10).

### **3. Loudspeaker**

### **4. Playback button**

### **5. Audio button (audio recording & sound effects):**

Press this button to record audio files.

Press the button again to switch between different sound effects for your audio recording.

You can hear the sound effects by confirming with the OK button.

### **6. Delete key:**

In playback mode, use the arrow key to select the file you want to delete and confirm with the delete key.

### **7. Microphone/Operating display**

### **8. On/Off button**

## **9. Photo frame / Effect button:**

In photo mode, press this photo frame button.

To switch between frames and effects, press the left and right arrow keys (1).

You can then simply take photos.

To exit the effect menu, press the photo frame button again.

## **10. OK button**

## **11. Viewfinder**

## **12. Rear camera for selfies**

## **13. Display**

## **14. Shutter button - taking photos/videos**

Press this button to take a photo or start and stop video recording.

## **15. Lightning**

Activate / deactivate the flash by pressing the up arrow key (1).

## **16. Button to switch between the front and rear camera:**

Simply press this button and switch between the front and rear camera. You can take normal photos and videos with the front camera. You can take a selfie with the rear camera.

## **17. Front camera**

## **18. Fixing screw for battery / micro SD card / USB port cover:**

To avoid accidents or injuries, the batteries should be stored safely.

To insert the batteries and the micro SD card, first open the screw of the battery compartment cover with the screwdriver provided.

Make sure the cover is securely closed after inserting the batteries and memory card.

## **19. USB connection under the cover**

## **20. Micro SD card slot under the cover:**

Please use a high quality Micro SD card. The max. storage capacity should be 32GB.

Format the memory card before first use via the camera's settings menu.

The option "Format" can be found under "Settings".

## **21. Battery compartment cover**

## First steps

### ***NOTE!***

**To use your camera you need 4x AA batteries and a Micro SD card. These parts are NOT included in the scope of delivery.**

Please use a high quality Micro SD card. The max. storage capacity should be 32GB.

Format the memory card before first use via the camera's settings menu.

The option "Format" can be found under "Settings".

To avoid accidents and injuries, the batteries should be stored safely.

To insert the batteries and the micro SD card, the cover of the battery compartment must be opened with the screwdriver provided.

Please make sure that the cover is securely closed again afterwards.

## Camera menu



## Photo mode



Press the mode button (2) and select the photo mode using the arrow button.

Confirm the selection with OK (10).

Now you can take photos by pressing the shutter button (14).

**Your Kiddypix Blizz has a front camera and a rear camera.** With the front camera you can take normal photos and videos. With the rear camera you can take a selfie. Press the lens switch button (16) to switch between the front and rear camera.

**Use the arrow key (1) for the following functions:**

**Flash** - press upwards

**Self-timer** - press down

**Digital zoom** - press and hold up or down button

### **Photo frame effect:**

In photo mode, press the photo frame button (9).

To switch between images and effects, press the left or right arrow key (1).

Once you have selected a frame, simply press the shutter button (14) to take a framed photo.

To exit the effect menu, press the photo frame button again.

## **Video mode**



Press the mode button (2) and select the video mode using the arrow button (1).

Confirm the selection with OK (10).

Now you can record videos by pressing the shutter button (14).

**Your Kiddypix Blizz has a front camera and a rear camera.**

With the front camera you can take normal photos and videos. With the rear camera you can take a selfie video.

Press the lens switch button (16) to switch between the front and rear camera.

## Game mode



Press the mode button (2) and select the game mode using the arrow button (1).

Confirm the selection with OK (10).

Now you can choose between different games using the arrow key (1).

Select a game and confirm with OK (10).

**You can control all games with the arrow key:**

**Upwards**

**Down**

**To the left**

**To the right**

Have fun!



## Audio mode



Press the mode button (2) and select the audio mode using the arrow button (1).

Confirm the selection with OK (10).

Press the release button (14) to record audio files.

Press the button again to stop recording.

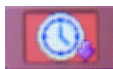
To switch between your audio files, please use the arrow key (1).

Please select a file and confirm the selection with the OK button (10).

## **Audio effects:**

You can add effects to your audio recordings, thus changing their sound.

Please press the audio button (5) to switch between effects:



SLOW EFFECT



ECHO EFFECT



HIGH VOICE



DEEP VOICE



UFO EFFECT

Confirm the effect and play your funny audio files by pressing OK.

Please note: Audio effects are only available during playback on the camera.

The effect file is not saved on the memory card.

## Playback mode



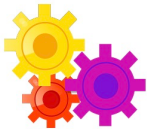
Press the mode button (2) and select the playback mode using the arrow button (1).

Confirm the selection with OK (10).

Now you can view your photos and videos and switch between them with the arrow key.

To delete a file, press the delete key (6) and confirm with OK.

## Settings



Press the mode button (2) and select the settings menu using the arrow button (1).

Confirm the selection with OK (10).

You are now in the settings menu.

Here you can change the following settings.

Use the arrow key to select between the different options:

- **Photo resolution:** 1M / 2M / 3M / 5M / 8M
- **Video resolution:** 640x480p / 320x240p
- **Background image:**  
Choose from 4 different menu backgrounds
- **Screen saver:** Off / 1 minute / 2 minutes / 3 minutes
- **Frequency:** 50 Hz / 60 Hz
- **Set the time and date:**  
Press the left and right arrow keys to select between hour / minute / second, the up and down keys to increase or decrease the hour / minute / second values and then press OK to confirm.  
For a final confirmation, you must return to the menu by pressing the menu button (2).
- **Date stamp:** Off / On
- **Volume**
- **Select the language for the camera menu**
- **USB connection**
- **Format your micro SD card:**  
Press OK and confirm with Yes or No.  
Please note: Formatting will delete all files on the micro SD card.
- **Reset to default setting:**  
Press OK and confirm with Yes or No.  
All settings that you have previously set are reset to the factory settings.

## FAQ

### **Selfie: How can I take a selfie?**

Your Kiddypix Blizz has a front camera and a rear camera. You can take normal photos and videos with the front camera.

You can take a selfie with the rear camera.

Press the lens switch button (16) to switch between the front and rear camera.

### **Photo frames and effects: How does it work?**

Go to photo mode, press the photo frame / effect button and select a frame or effect using the arrow button (1) (right/left). To delete the frame, press the Photo Frame / Effect button again.

### **Lightning: How does it work?**

Press the up arrow key (1) to activate or deactivate the flash.

### **Self-timer: How does it work?**

Press the down arrow key (1) to activate or deactivate the self-timer.

### **Digital zoom: How does it work?**

Press and hold the up or down arrow key (1).

### **How can I delete files?**

Press the play button (4) and select the files using the arrow button (1).

Confirm with OK (10).

Now you can delete your photos and videos by pressing the delete button (6) and confirming with OK.

### **How can I change the batteries?**

You need 4x AA batteries to use your camera. The batteries are NOT included in the scope of delivery.

To avoid accidents and injuries, the batteries should be stored safely.

To insert the batteries and the micro SD card, the cover of the battery compartment must be opened with the screwdriver provided.

Please ensure that the cover is securely closed again after inserting the batteries and SD card.

## Technical data

- Double lens camera
- 2.0MP front camera / 0.3MP rear camera
- Photo resolutions: 1M / 2M / 3M / 5M / 8M
- Video resolutions: 640x480p / 320x240p
- 2.0"/5cm display
- 110 ° viewing angle lens
- 4x digital zoom
- External memory: Micro SD card up to 32 GB  
(not included in the scope of delivery)
- Built-in microphone
- Built-in loudspeaker
- Frequency: 50 Hz / 60 Hz
- Self-timer: On / Off / 10 seconds
- Built-in flash
- Various photo frames integrated
- Six games integrated
- 4xAA batteries required  
(not included in the scope of delivery)

## Scope of delivery

- Camera
- Bag
- Hand strap
- USB cable
- Operating instructions (EN/DE)

Operating instructions in other languages are available for download at:

**[bit.ly/3t0wUIb](https://bit.ly/3t0wUIb)** or at [www.easypix.info/download-manuals/download/kiddypix-blizz/](http://www.easypix.info/download-manuals/download/kiddypix-blizz/)

### ***NOTE!***



Appliances marked with this symbol must not be disposed of with household waste! You are legally obliged to dispose of old appliances as well as batteries and rechargeable batteries separately from household waste. Information on collection points that accept used appliances/batteries free of charge can be obtained from your local or municipal authority.



# Disposal



## Dispose of packaging:

Dispose of the packaging according to type. Put cardboard and carton in the waste paper collection and foil in the recyclables collection.



<p><b>IMBALLAGGIO ESTERNO</b> PAP 20/22 Cartone carta</p>	<p><b>IMBALLAGGIO INTERNO</b> PAP 20/22 Cartone carta</p>
<p><b>RACCOLTA DIFFERENZIATA</b></p>	<p>Verifica le disposizioni del tuo Comune. Svuotare l'imballaggio. Conferisci in raccolta il contenitore vuoto.</p>



## Disposal of WEEE and/or batteries by users in private households in the European Union:

This symbol on the product or on the packaging indicates that it cannot be disposed of with household waste. You must dispose of your waste appliance and/or battery by handing it over to the applicable take-back system for the recycling of electrical and electronic equipment

and/or batteries. For more information on how to recycle this appliance and/or battery, please contact your local city office, the shop where you purchased the appliance or your household waste disposal service.

Recycling materials helps to conserve natural resources and ensure that it is recycled in a way that protects human health and the environment.



## WARNING

### **Warning regarding the battery:**

- Do not disassemble or hit the batteries. Be careful not to short-circuit the batteries. Do not expose the battery to high temperatures. Do not continue to use the batteries if they leak or expand.
- Always charge via the system. If the batteries are replaced with the wrong type, there is a risk of explosion.
- Keep the batteries away from children.
- Batteries can explode if exposed to an open fire. Never throw batteries into a fire.
- Dispose of used batteries according to local regulations.
- Before disposing of the unit, remove the battery and dispose of it separately.

## Declaration of conformity



The manufacturer hereby declares that the CE marking has been affixed to this product in accordance with the essential requirements and the relevant provisions of the European Directives.

The declaration of conformity can be downloaded here:

[www.easypix.info/download/pdf/doc\\_kiddypix\\_blizz.pdf](http://www.easypix.info/download/pdf/doc_kiddypix_blizz.pdf)

**EASYPPIX** | LIFESTYLE  
ELECTRONICS