



GOXTREME®
GS1
1-AXIS SELFIE GIMBAL

USER MANUAL

FR : Un manuel dans votre langue est disponible sur Internet:

IT: Il manuale nella sua lingua può essere trovato su Internet:

ES: Puede encontrar un manual en su idioma en Internet:

PT: Um manual em seu idioma pode ser encontrado na Internet:

PL: Instrukcję w swoim języku możesz znaleźć na stronie:

SWE: En handbok på ditt språk finns på Internet:

NL: Een handleiding in uw taal vindt u op internet:

www.easypix.info/download-manuals/download/gs1/

Table of content

Retaining instructions	3
Explanation of safety warnings.....	3
Product introduction.....	4
Intended use	4
Restrictions	4
Safety instructions	5
Operating environment.....	6
Description of the product	7
Using your gimbal	8
Step 1: Unfold the gimbal.....	8
Step 2: Charging the gimbal.....	8
Step 3: Remote Bluetooth pairing.....	10
Step 4: Inserting the smartphone	11
Step 5: Selfie stick or tripod.....	12
Step 6: Switch on the gimbal	12
Step 7: Changing the orientation	13
Step 8: Switch off the gimbal.....	13
Change the remote control battery.....	14
Box contents.....	15
Technical specifications	16
Disposal	17
Declaration of conformity	17

Disclaimer

Easypix makes no representations or warranties with respect to this manual and, to the maximum extent permitted by law, expressly limits its liability for breach of any warranty that may be implied to the replacement of this manual with another. Furthermore, Easypix reserves the right to revise this publication at any time without incurring an obligation to notify any person of the revision.

Easypix is not responsible or liable for misuse of the information that is contained herein. If you have any suggestions for improvements or amendments or have found errors in this publication, please notify us.

All pertinent state, regional, and local safety regulations must be observed when installing and using this product. For reasons of safety and to help ensure compliance with documented system data, only the manufacturer shall perform repairs to components.

Failure to observe this information can result in injury or equipment damage.

Copyright © by Easypix GmbH

All rights reserved. No part of this publication may be reproduced, distributed, or transmitted in any form or by any means, including photocopying, recording, or other electronic or mechanical methods, without the prior written permission of the publisher. For permission requests, please write to the publisher below.

Easypix GmbH, Em Parkveedel 11, 50733 Köln, Germany
support@easypix.eu • www.easypix.eu

Retaining instructions

Read this manual and its safety instructions before using this product. Follow all the instructions. This will avoid fire, explosions, electric shocks or other hazards that may result in damage to property and/or severe or fatal injuries.

The product shall only be used by persons who have fully read and understand the contents of this user manual.

Ensure that each person who uses the product has read these warnings and instructions and follows them.

Keep all safety information and instructions for future reference and pass them on to subsequent users of the product.

The manufacturer is not liable for cases of material damage or personal injury caused by incorrect handling or non-compliance with the safety instructions.

Explanation of safety warnings



WARNING

Warning indicates a hazard with a medium level of risk which, if not avoided, could result in serious injury.

NOTICE

Indicates information considered important, but not hazard-related.

Product introduction

The GS1 gimbal is a high quality single-axis motorized gimbal, tripod and selfie stick with removable remote control.

The 3 in 1 functionality ensures you capture smooth and stable videos and photos with your smartphone.

Fixing an action cam to the gimbal you can also capture selfie shots (photos and videos).

Intended use

This product is intended for use anywhere videos, photos or selfies are taken and whenever image stability is a critical requirement.

Restrictions



WARNING

The product is not suitable for children under 3 years because of choking hazard.

- Contains small parts, in order to avoid swallowing, please ensure any use by children is undertaken with adult supervision.
- This product is not suitable for use under water or in wet conditions. Please ensure your gimbal is kept dry at all times.
- Ensure your gimbal is not exposed to extreme temperatures.

Safety instructions



WARNING

This product is only suitable for the purpose described, the manufacturer is not liable for damage caused by abnormal use.



WARNING

Please read this instruction manual carefully before use, and ensure the remote control unit battery is installed correctly.

- Keep the gimbal out of the reach of small children.
- Ensure the gimbal is not obstructed during use as this may lead to damage of the internal motor mechanism.
- Please dispose of the waste and residues at the end of the service life of the product according to local laws and regulations.
- If you think this product is damaged in any way, please do not use the product.

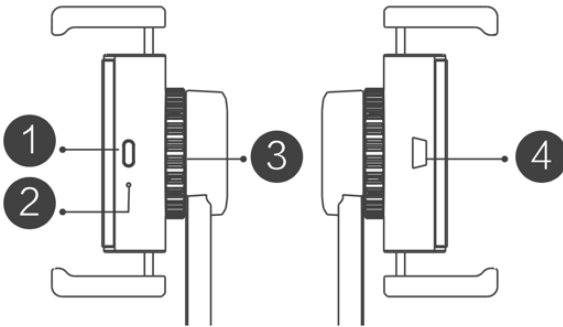
Operating environment

- Do not expose the device to abnormally high or low temperatures.

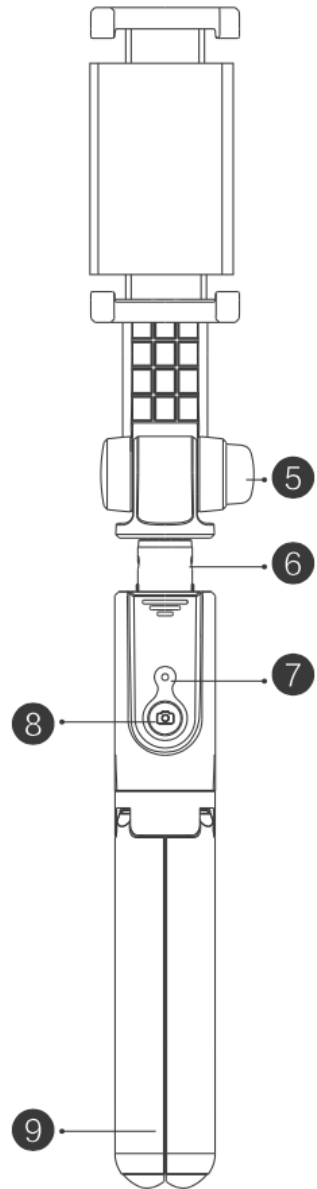
Store the device cool (at room temperature) in a dry and dust-free location and never expose the product to high temperatures or direct sunlight.

- Protect the product from falls, shock and impact.

Description of the product



1. • Power On/Off
 - Inserting the smartphone (90°)
2. LED indicator
3. Gimbal motor
4. Micro USB socket
5. Screw cap
6. Selfie stick adjustment
7. Remote LED indicator
8. Shutter button
9. Tripod



Using your gimbal

Your gimbal is designed for use in a variety of applications whether you are at home or on the move.

To ensure your gimbal configures itself correctly for use, always place your smartphone into the holder before switching the device on. For best stabilization performance, when inserting the smartphone into the clamp, always try to place it in the centre of the clamp for the best balance.

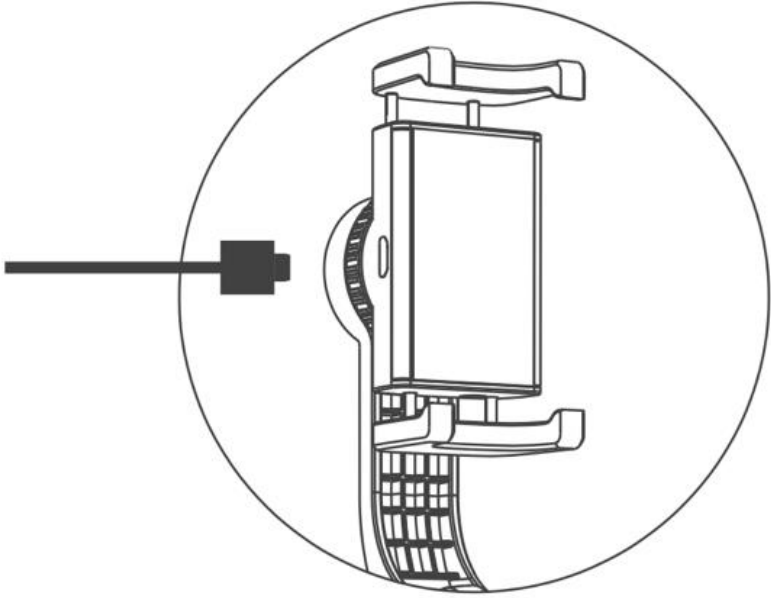
The remote control can be used while attached to the handle when the gimbal is being used like a selfie stick or alternatively, the remote can be removed and used at a distance while the gimbal is placed on a surface using the integrated tripod.

Step 1: Unfold the gimbal

- Open the screw cap.
- Unfold the gimbal and then close the screw cap.
- Move the smartphone holder to release it from the lock.

Step 2: Charging the gimbal

- Your gimbal can be charged using the micro USB cable provided.
- Connect one end the cable to the micro USB port on the side of the gimbal and the other end of the cable into a computer or USB charger not exceeding 1,000mA output.
- The LED indicator confirms the battery is charging.



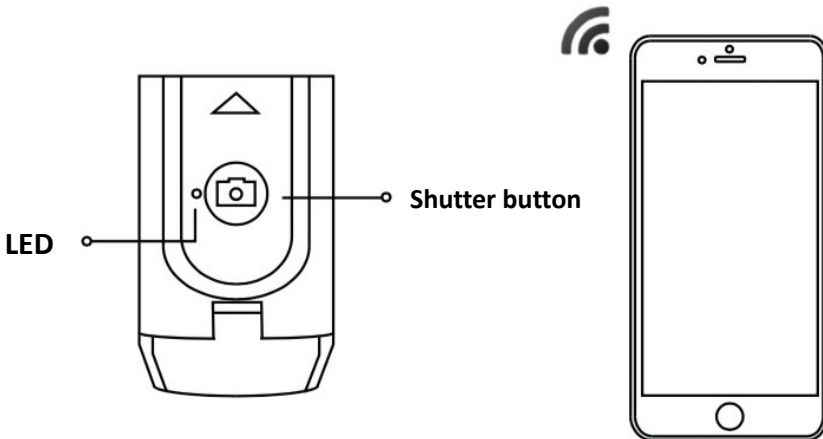
WARNING

- To avoid the risk of electric shock, do not insert the power cord with wet hands.
- In the unlikely event of overheating, smokes or unpleasant odours coming from the unit, disconnect it immediately from the charging cable.
- Never attempt to access or replace the built-in battery.

Step 3: Remote Bluetooth pairing

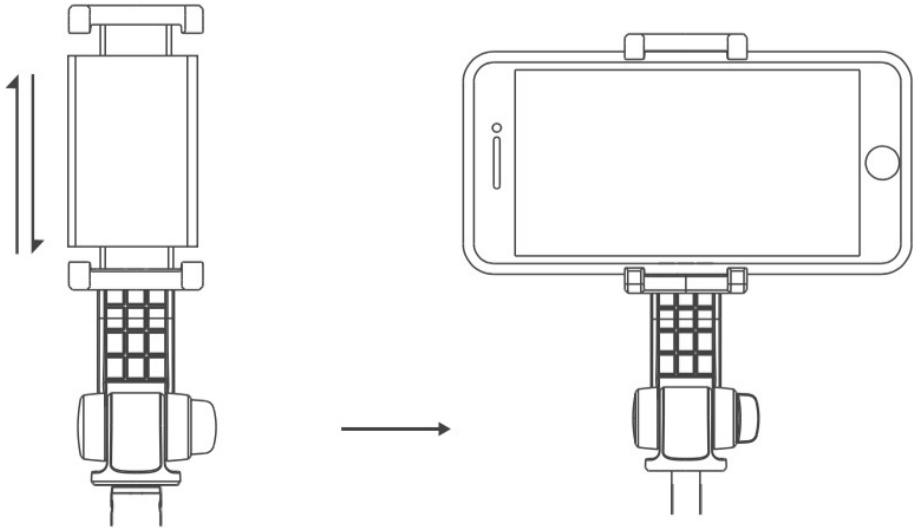
You can slide the remote control upwards to remove it from the handle and use it remotely at a distance of up to 10m.

- Remove the plastic tab completely to allow the battery to connect.
- Long press the shutter button for 3 seconds to activate the remote.
- The LED will illuminate and Bluetooth pairing mode will start automatically.
- Search for new Bluetooth devices in your smartphone Bluetooth settings menu.
The remote will appear as “**Updot**”.
- When the Bluetooth pairing is complete the LED will turn off.



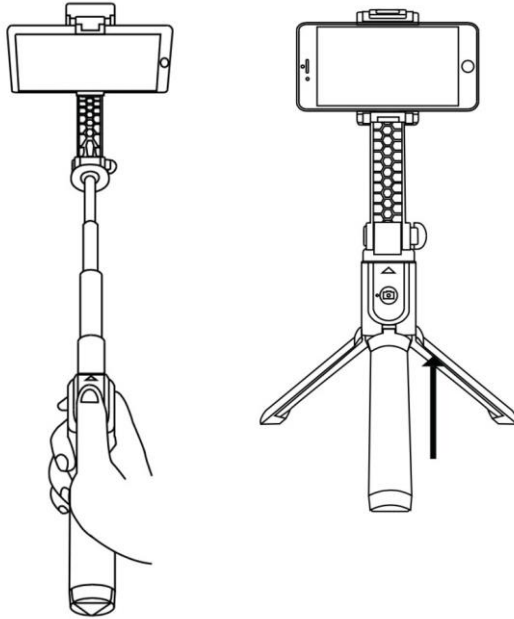
Step 4: Inserting the smartphone

Please make sure that the cradle is no longer engaged and that the smartphone is centred.



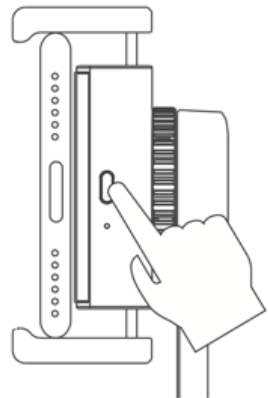
Step 5: Selfie stick or tripod

Extend the Selfie stick or set up the stand.



Step 6: Switch on the gimbal

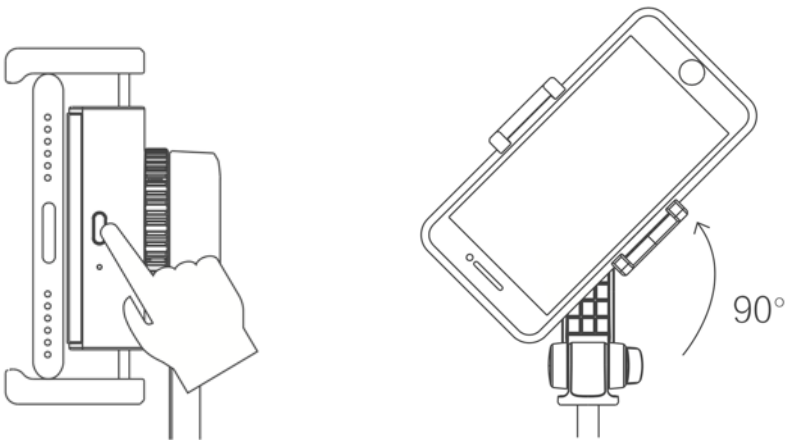
- With the smartphone in position, turn on the stabilizer by long-pressing the power button for 3 sec.
- The stabilizer will activate and configure itself.



Step 7: Changing the orientation

Short-press the power button to change the position of the gimbal from horizontal to vertical.

Please note: If you turn the position several times, the bracket will snap in and the gimbal will automatically switch off.

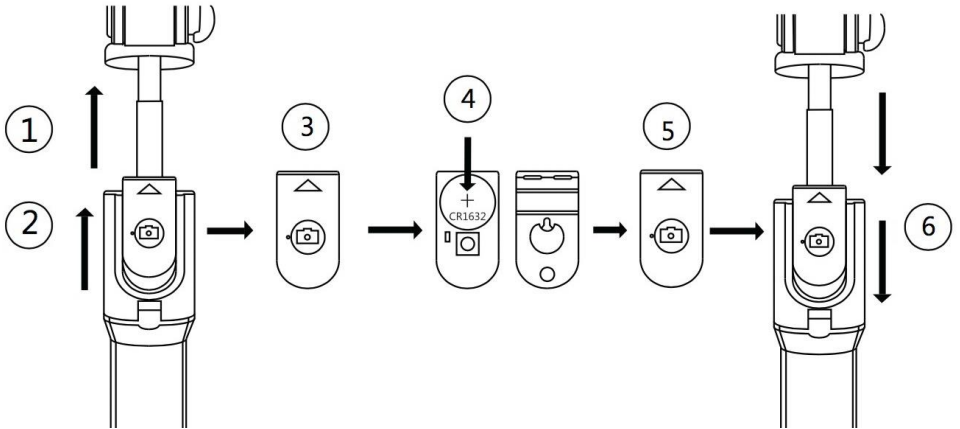


Step 8: Switch off the gimbal

Turn off the stabilizer by long-pressing the power button for 3 sec.

Change the remote control battery

To change the battery, open the remote control using the recess on the side. You will need a new CR1632 battery.



1. Extend the selfie stick
2. Slide the remote upwards to remove it
3. Open the top cover of the remote control
4. Change the CR1632 battery
5. Close the top cover
6. Slide the remote back into position



WARNING

- Only use batteries approved for use with this products remote control.
- Please remove the battery if the remote is not going to be used for an extended period of time.

NOTICE



Devices containing built-in batteries should be disposed of in accordance with applicable local regulations, and you should not throw them into household garbage to avoid irreversible pollution.

Box contents

- Gimbal
- USB cable
- Manual EN/DE

Manuals in further languages are available for download here:
www.easypix.info/download-manuals/download/gs1/

Technical specifications

GS1 Gimbal	Foldable 1-Axis gimbal with: <ul style="list-style-type: none">- Extendable Selfie Stick- Tripod- Bluetooth remote control
Rotating	90° horizontally/vertically
Built-in battery	Li-Ion 400mAh
Charging port	Micro-USB
Charging voltage	5V
Working current	50-900mA
Operational time	2-3 Hours
Charging time	2 Hours
Remote control	Bluetooth BLE 4.2
Remote control range	<10M
Remote control battery	CR1632 (exchangeable)
Max carrying weight	300g
Net weight	235g
Product dimensions	190mm x 65mm x 40mm
Extension length	Up to 520mm

Disposal



Disposal of packaging.

For disposal, separate packaging into different types. Cardboard and board must be disposed of as paper and foil must be recycled.



Disposal of Waste Electrical and Electronic Equipment and/or Battery by users in private households in the European Union.

This symbol on the product or on the packaging indicates that this cannot be disposed of as a household waste.

You must dispose of your waste equipment and/or battery by handing it over to the applicable take-back scheme for the recycling of electrical and electronic equipment and/or battery. For more information about recycling of this equipment and/or battery, please contact your city office, the shop where you purchased the equipment or your household waste disposal service. The recycling of materials will help to conserve natural resources and ensure that it is recycled in a manner that protects human health and environment.

Declaration of conformity

The EC Declaration of Conformity for GS1 Gimbal can be downloaded here: www.easypix.info/download/pdf/doc_gs1.pdf

EASYPIX | LIFESTYLE
ELECTRONICS

