

GOXTREME® VISION+



USER MANUAL

(Translation of the original)

- FR :** Un manuel dans votre langue est disponible sur Internet:
IT: Il manuale nella sua lingua può essere trovato su Internet:
ES: Puede encontrar un manual en su idioma en Internet:
PT: Um manual em seu idioma pode ser encontrado na Internet:
PL: Instrukcję w swoim języku możesz znaleźć na stronie:
SWE: En handbok på ditt språk finns på Internet:
NL: Een handleiding in uw taal vindt u op internet:

<https://bit.ly/VisionPlus21>

www.easypix.info/download-manuals/download/goxtreme_vision_plus

Table of contents

General information	3
Explanation of symbols	3
Product description	4
Intended use	4
Restrictions	4
Safety Instructions	5
Operating environment	6
Camera description.....	7
First use.....	8
Step 1: Insert and charge the battery	8
Step 2: Turn on/off the camera	9
Step 3: Touch screen	9
Step 4: Setting the language	10
Step 5: Insert and format the MicroSD card	11
Step 6: Set date and time	12
Step 7: Switching between modes	12
Step 8: Changing the video/photo settings.....	13
Camera settings	14
Video and photo functions	17
Shortcuts.....	19
Playback mode.....	20
Remote control	21
Connection to the "XDV PRO" app	21
Technical specifications	24
Box contents	25
Disposal.....	26
Declaration of conformity.....	27

Disclaimer

Easypix makes no representations or warranties with respect to this manual and, to the extent permitted by law, expressly limits its liability for breach of any warranty that may arise from replacement of this manual by another. Furthermore, Easypix reserves the right to revise this publication at any time without obligation to notify any person of the revision.

Easypix is not responsible or liable for the misuse of the information contained herein. If you have suggestions for improvement or changes or if you have found errors in this publication, please let us know.

All relevant state, regional and local safety regulations must be observed when installing and using this product. For safety reasons and to ensure compliance with the documented system data, only the manufacturer may carry out repairs on components.

Failure to observe this information may result in personal injury or equipment damage.

Copyright © Easypix GmbH

All rights reserved. No part of this publication may be reproduced, distributed or transmitted in any form or by any means, including photocopying, recording or other electronic or mechanical means, without the prior written permission of the publisher. For permission requests, please contact the publisher in writing.

Easypix GmbH, Em Parkveedel 11, 50733 Cologne, Germany.

support@easypix.eu - www.easypix.eu

General information

Please read this manual and its safety instructions before using this product. Follow all instructions. This will prevent hazards that could result in property damage and/or serious injury.

The product may only be used by persons who have fully read and understood the contents of this user manual.

Make sure that each person using the product has read and follows these warnings and instructions.

Keep all safety information and instructions for future reference and pass them on to subsequent users of the product.

The manufacturer is not liable for damage to property or personal injury resulting from incorrect handling or failure to observe the safety instructions.

Explanation of symbols



WARNING

"Warning" indicates a hazard with a risk which, if not avoided, may result in injury.

NOTE!

"Note" indicates information that is considered important but is not hazard-related.

Product description

GoXtreme Vision+ is a 4K camera. The camera records videos and photos with an ultra-wide angle of 170°. The 2"/5cm touch screen allows you to operate the camera easily and intuitively. It is supplied with a housing that is waterproof up to 30m, as well as a wide range of additional brackets and accessories such as the wrist worn remote control.

Intended use

This product is suitable for use during various sports or activities. The supplied brackets allow the camera to be mounted in multiple positions: on a bicycle, helmet or on the body.

Restrictions



WARNING

The product is not suitable for children under 3 years of age. Contains small parts. Risk of suffocation.



WARNING

The product is not waterproof.

It should only be immersed under water when securely enclosed in the supplied housing.

- Before using the product in water, make sure that all covers and latches on the camera and underwater housing are securely closed and sealed.
- After use in salty or chlorinated water, clean the housing under tap water and allow it to dry.
- After use under water, the housing must be left open to dry in order to prevent condensation or rust formation.

Safety Instructions



WARNING

This product is only suitable for the purpose described.

The manufacturer is not liable for damage caused by improper use.



WARNING

Please read these operating instructions carefully before use.

- Always protect your camera from falls, bumps and shocks.
- Keep a sufficient distance from objects that generate

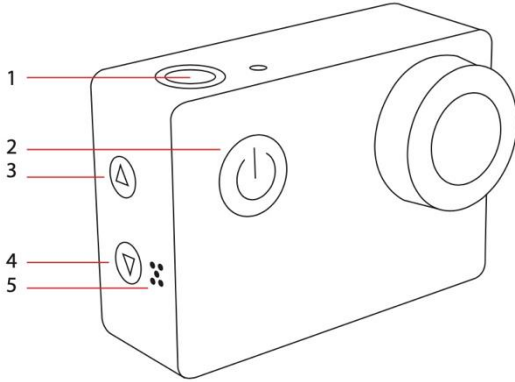
strong magnetic fields or radio waves to prevent them from damaging the product or affecting the sound and picture quality.

- In the unlikely event of overheating, smoke or unpleasant odours coming from the unit, disconnect it immediately from the charging cable and remove the battery to avoid fire.
- Please do not disassemble the product. Doing so will void any warranty.
- Please dispose of the waste and residues at the end of the product's life in accordance with local laws and regulations.

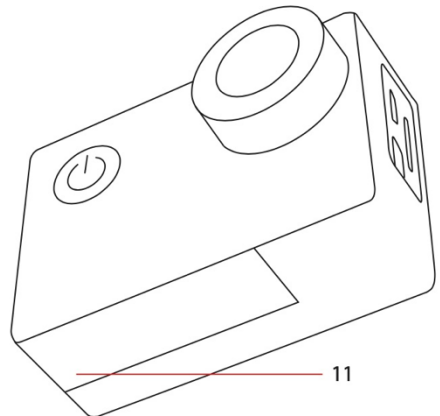
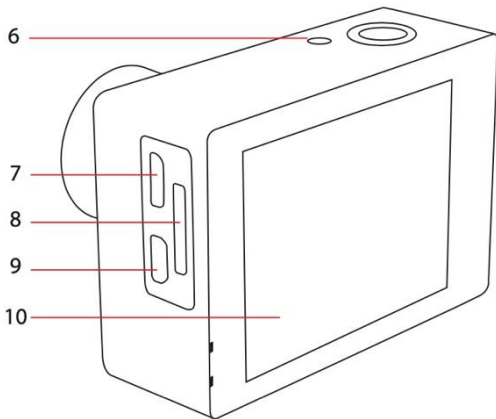
Operating environment

- To avoid condensation inside the housing or behind the lens, the product should not be exposed to large differences in temperature and humidity.
- Store the product in a cool place (at room temperature) in a dry and dust-free environment and never expose it to high temperatures or prolonged exposure to direct sunlight.
- Protect the product from falls, bumps and knocks.

Camera description



1. Recording / OK Button
2. Power / Mode Button
3. WiFi / Up Button
4. Down Button
5. Speaker
6. WiFi indicator
7. USB
8. MicroSD slot
9. HDMI
10. Touch screen
11. Battery compartment



First use

NOTE!

To ensure optimum performance from your camera, please follow the steps below when using the camera for the first time:

Step 1: Insert and charge the battery

Before using the product for the first time, make sure that it is fully charged.

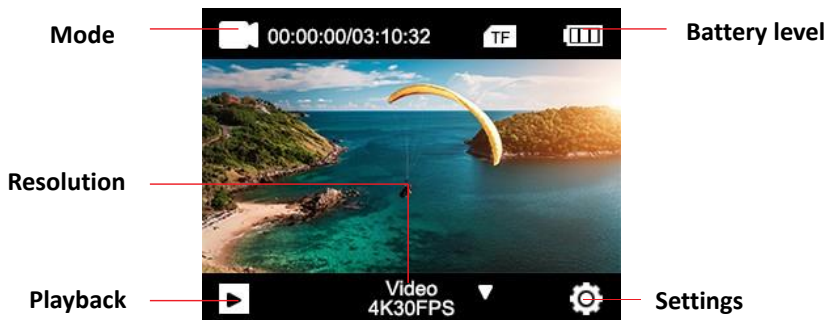
- Open the battery compartment cover, insert the battery and charge it for between 5 and 6 hours.
- Keep the device away from children during charging.
- Ensure that the camera is turned off during charging.
- If the camera switches on automatically when connected to a power source, please turn it off to ensure the battery can be fully charged.
- Product should only be charged via the USB port of a computer or USB power supply with a maximum output of 1050mAh.
- Disconnect the USB cable connected to the product before using it.
- The battery life is up to 90 minutes under optimal conditions and is dependent on the settings used and the outside temperature.

Step 2: Turn on/off the camera

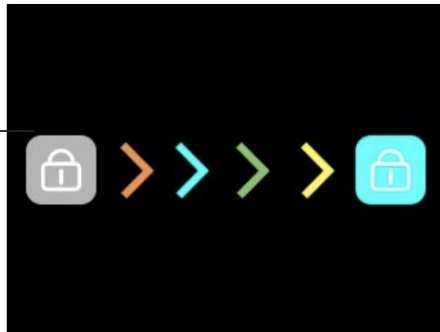
- Press and hold the Power button for about 3 seconds to turn on the camera.
- To turn off the camera, press and hold the Power button again for about 3 seconds.

Step 3: Touch screen

The camera's screen is a touch screen - so you can operate the camera conveniently by touching the screen.



STANDBY MODE:
Swipe to the right to
unlock the screen.

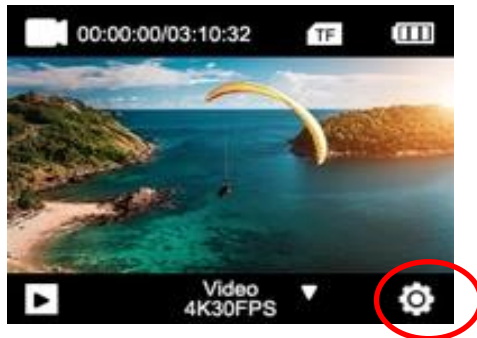


Step 4: Setting the language

By default, the camera is set to English.

To select a different language:

1. Click on the "Settings" icon on the screen and tap the "Settings" icon again on the following screen to enter the camera settings options.



2. In the camera settings menu, use the arrow keys or scroll your finger to navigate down to the "Language" sub-item.
3. Tap 'Language' to view the various language options.
4. Scroll down through the options and tap to select and activate your preferred language.
5. Press the 'back' icon to return to the main screen

Step 5: Insert and format the MicroSD card

NOTE!

- **Please make sure that your memory card is formatted in the camera before using the card for the first time.**
- For best results, we recommend the use of high-quality Class 10 MicroSD cards with U3 High Speed or higher. Ensure a U3 speed memory card is always used when recording 4K video. Using a lower speed card may cause data transfer speed problems due to the large file size that a 4K video produces.
- The recording time depends on the selected resolution.
- A MicroSD card is not supplied with this product.

ATTENTION!

Formatting deletes all files on the card.

Format the MicroSD card:

1. Click on the "Settings" icon on the screen and select "Settings" again.
2. In the settings menu, use the arrow keys or scroll your finger to navigate to the "Format" sub-item.
3. Tap the "Format" button and your card will be formatted immediately.

Step 6: Set date and time

1. Click on the "Settings" icon on the screen and select "Settings" again.
2. In the settings menu, you can navigate to the sub-items "Time Set" and "Date Set" using the arrow keys or by scrolling with your finger.
3. Set the time or date by tapping each of the on screen options and their corresponding up and down arrows.

Step 7: Switching between modes

The Power key is also the Mode key.

Press this key to switch between the different modes of operation:

Video > Photo > Video etc.

You can also switch between modes by swiping the screen with your finger from left to right.

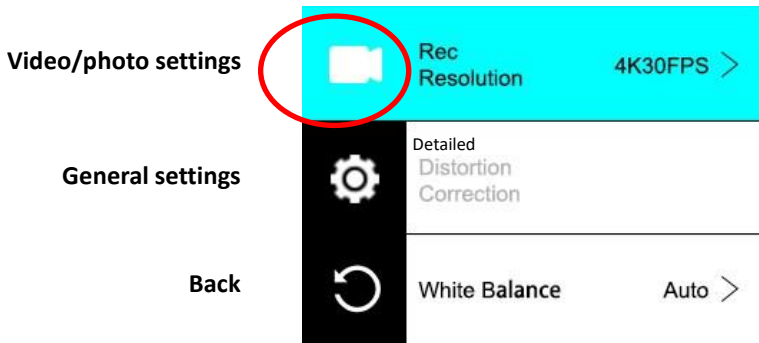
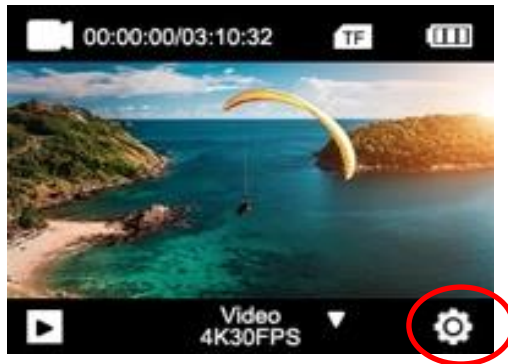


Step 8: Changing the video/photo settings

Video settings are available when in video mode.

Photo settings are available when in Photo mode.

1. When the camera is switched on, it is in video mode by default.
Press the Mode button or swipe the screen to switch to Photo mode.
2. To change the settings of your photo or video recordings, tap the "Settings" icon in each mode.
3. Then scroll to the function or settings you want to change.



Camera settings

To change operational settings of the camera, enter the General settings menu.

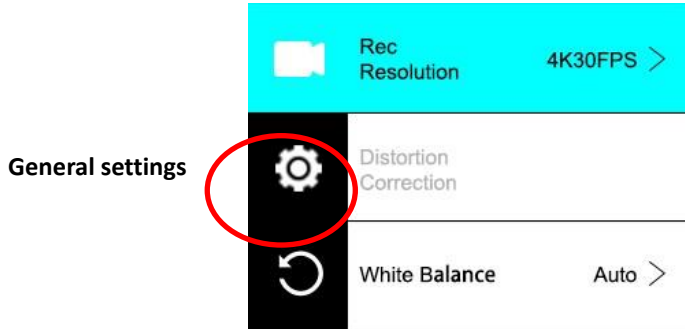


IMAGE ROTATION:

If you need to mount your camera upside down, activate image rotation to ensure that videos are recorded with the right orientation.

WI-FI:

Tap this button to enable the WiFi function.
Press the up arrow key to disable WiFi.

WI-FI INFORMATION:

- WiFi Name - Displays the cameras network ID. This is the network you should search for in the WiFi settings of your smartphone when connecting to the camera.
- WiFi Password - This is the password you need to establish the connection between your camera and your smartphone.
- Reset WiFi: If you have forgotten your WiFi password (which can be changed in the WiFi app), you can use the "Reset WiFi" function to reset it and restore the default WiFi settings.

POWER FREQUENCY:

Select the power frequency that matches the electricity supply in your country.

An incorrect setting can cause your videos to flicker when recorded under artificial or fluorescent light.

LED INDICATOR:

Switches the blue LED display on or off.

When this option is enabled, the LED indicator lights up when the camera is turned on and flashes to confirm that video recording is in progress.

SCREEN SAVER:

To prolong battery life, the screen can be turned off after a preset time. If the screen turns off during recording, it will not affect the recording. Simply press the shutter button to turn the screen back on.

AUTO POWER OFF:

To prolong battery life, the camera can be turned off automatically after a preset time.

SOUND SETTINGS:

Controls the volume of the key tones.

DATE FORMAT:

Choose your preferred option for displaying the date on screen, in recordings and photos.

Note: You can remove the time and date stamp from your videos and recordings by selecting "Time Watermark" in the video or photo settings.

FORMAT:

To ensure maximum compatibility between memory card and camera, the memory card should always be formatted in the camera before first use.

Touch FORMAT to perform the formatting operation.

WARNING: Formatting will delete all files stored on the card.

Ensure that all important files are backed up before formatting.

DEVICE INFO:

Displays important information about the current firmware version of the camera.

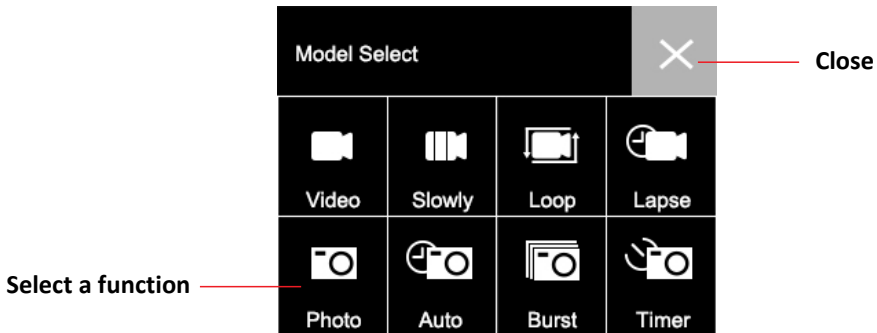
Tap the screen to return to the settings menu.

FACTORY RESET:

Resets all camera and menu settings to the factory default settings.

Video and photo functions

Wipe UP on the screen and select between the different functions:



VIDEO:

Press the OK/Record button to start recording.

The video icon on the screen turns red to indicate that the camera is recording.

Press the OK/Record key again to stop recording.

To select detailed settings (such as video resolution), press the "Settings" icon while in video mode.

After adjusting a particular setting, press the Back icon to return.

SLO-MO:

Records a slow-motion video.

Press the "Settings" icon to select slow motion speed and other options.

LOOP:

When Loop Recording is enabled, the camera records a video for the selected period of time. After this time, the camera starts recording a new file for the same amount of time.

Each time a new recording is started, the last recording is automatically overwritten.

Press the "Settings" icon to set the loop recording duration.

LAPSE:

In time-lapse mode, a video recording recorded over a longer period of time can be compressed into a video with only a few minutes playing time. This creates a time-lapse effect.

Press the "Settings" icon to configure the settings.

PHOTO:

Press the Record button to take a photo.

The photo icon on the screen will flash red briefly to indicate that a photo has been taken.

To make detailed settings (such as image resolution), then press the "Settings" icon.

After adjusting a particular setting, press the Back icon to return.

AUTO:

When the Auto Shoot function is activated, the camera automatically takes a series of photos until the shutter button is pressed to stop the sequence.

Press the "Settings" icon to set the time interval between each photo.

BURST:

The Burst Photo function allows you to take multiple photos in rapid succession with a single press of the shutter button.

Press the "Settings" icon to select the number of photos per second.

TIMER:

When the self-timer (timer) is activated, the camera automatically takes a picture after a specified time delay.

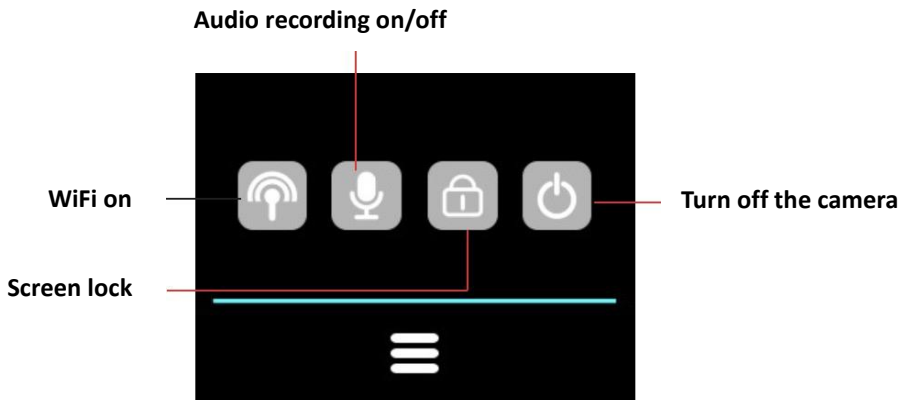
Press the "Settings" icon to set the countdown time.

Shortcuts

Swipe the screen DOWN to display additional function options.

Tap to activate the options.

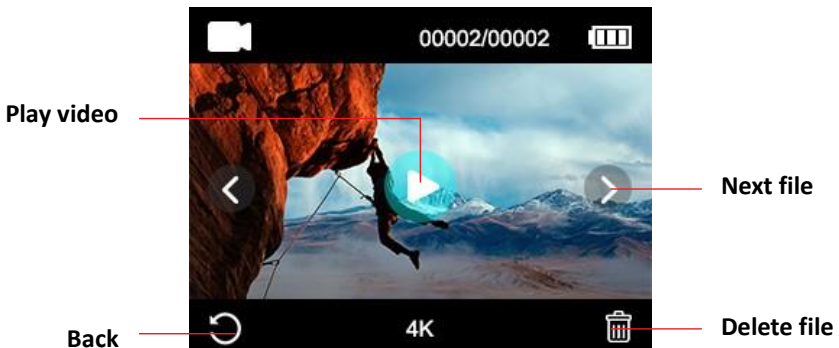
An activated setting is indicated by the icon turning blue.



Playback mode

Tap the playback icon in either photo or video mode to enter playback mode.

- The counter at the top of the screen shows the total number of files available.
- Tap the left (<) and right (>) icons to navigate through the various files.
- Tap the play button to start video playback.
- Tap anywhere on the screen to pause playback.



Remote control

Using the supplied remote control:

You can start a video recording or take a photo using the remote control.

Press the Record button on the remote control to start recording.
Press the key again to stop recording.

NOTE!

**The remote control is splashproof.
It is not suitable for use under water.**

Connection to the "XDV PRO" app

1. Before using the WiFi feature, please go to the App Store or GooglePlay and install the XDV PRO app on your smartphone or tablet PC.



ANDROID



iOS

2. Turn on the WiFi function by swiping down on the screen and tapping the WiFi icon.
 - a. The camera network ID and password will be displayed as follows:
Wi-Fi ID: GoXtreme Vision_xxxx
Wi-Fi PWD: 12345678
 - b. Now open the WiFi settings on your phone to select the camera WiFi ID from the available wireless networks.
 - c. The password for establishing the connection is 12345678.
 - d. When the connection is confirmed, exit the smartphone WiFi settings screen and open the XDV Pro app to complete the connection.

NOTE!

- Ensure that you have downloaded the correct app.
- Please note that wireless transmission of files via the app is not possible for videos with a resolution of more than 1080p. Files with a resolution greater than 1080p can only be transferred using a computer or card reader.
- When you use the app for live view, only network information is displayed on the camera screen.
- When you have finished using the app, please deactivate the WiFi function to save the battery.

Turn off the WiFi function:

Briefly press the UP button to turn off the WiFi.

The camera will return to the default home screen

- If using your camera and smartphone near a WiFi router regularly used by you, your smartphone will often connect automatically to the router network as a priority (as your smartphone will have saved the router password) rather than to the camera.

In this case please try to connect the camera to your smartphone while maintaining a distance further away from the router so that it does not connect to the router network.

Technical specifications

Video resolution	4K (30 fps) 2.7K (30 fps) 1080p (120/60/30 fps) 720p (240/120/60/30 fps)
Photo resolution	16M (interpolated) 13M (interpolated) 8M
Display	2.0"/5cm touch-screen
Sensor	12MP
Waterproof housing	Waterproof up to 30m
Microphone/Loudspeaker	Integrated
Wide angle	170°
slow motion	1080p: 4x, 2x / 720p: 8x, 4x
Time-lapse video	0.5s / 1s / 2s / 5s / 10s / 30s / 60s
Time-lapse photo	3s / 10s / 15s / 20s / 30s Photo intervals
Series pictures	3 fps, 5 fps, 10 fps
Loop recording	5min / 10min / 20min / 60min intervals
Self-timer	Off / 3s / 5s / 10s / 20s
White Balance	Car / Daylight / Cloudy / Incandescent / Fluorescent
WiFi function	Integrated

WiFi frequency	2.4 GHZ
File formats	MP4, JPG
Interface	HDMI, USB 2.0 Micro
Battery	Exchangeable 1050mAh Li-Ion battery
Dimensions of the product	60 x 41 x 30 mm
External memory	<ul style="list-style-type: none"> - Support of MicroSD cards up to max. 64GB - Requirement: U3 class10 cards or higher - Card not included

Box contents

- Camera
- Waterproof housing
- Second cover for the housing (not waterproof)
- Remote control
- Orientation adaptors
- Tripod adapter
- Monopod adapter
- Clip Mount
- Bicycle mount
- Helmet mount
- Frame Mount
- Battery
- USB cable
- Manual EN/DE

Operating instructions in other languages are available for download at <https://bit.ly/VisionPlus21> or www.easypix.info/download-manuals/download/goxtreme_vision_plus

NOTE!



Devices marked with this symbol must not be disposed of with household waste!

You are legally obliged to dispose of old appliances as well as batteries and accumulators separately from household waste. Information on collection points that accept used devices/batteries free of charge is available from your local authority or town council.

Disposal



Disposal of packaging:

Dispose of the packaging according to its type.

Add cardboard and paperboard to the waste paper, foils and plastic wrapping to the recyclable waste collection.



Waste electrical and electronic equipment and/or batteries disposed of by users in private households in the European Union:

This symbol on the product or on its packaging indicates that it cannot be disposed of with household waste. You must dispose of your old appliance and/or battery by handing it over to the applicable collection system for the recycling of electrical and electronic equipment and/or batteries. For more information on recycling this device and/or battery, contact your local council, the shop where you purchased the device or your household waste disposal service. Recycling materials helps to conserve natural resources and ensures that it is recycled in a way that protects human health and the environment.



WARNING

Warning regarding the battery:

- Do not disassemble or hit the battery. Be careful not to short-circuit the battery. Do not expose the battery to high temperatures. Do not continue using the battery if it leaks or expands.
- Always recharge using the camera or manufacturer approved desktop charger if available. If the battery is replaced by an incorrect type, there is a risk of explosion.
- Keep the battery away from children.
- Batteries can explode if exposed to an open fire.
Never throw batteries into fire.
- Dispose of used batteries according to local regulations.
- Before disposing of the device, remove the battery and dispose of it separately.

Declaration of conformity



We hereby declare that the CE marking has been affixed to this product in accordance with the essential requirements and relevant provisions of the European directives. The declaration of conformity

can be downloaded here:

www.easypix.info/download/pdf/doc_goxtreme_vision_plus.pdf