

# GOXTREME® REEF



## UNDERWATER CAMERA

### User Manual

**FR :** Un manuel dans votre langue est disponible sur Internet:

**IT:** Il manuale nella sua lingua può essere trovato su Internet:

**ES:** Puede encontrar un manual en su idioma en Internet:

**PT:** Um manual em seu idioma pode ser encontrado na Internet:

**PL:** Instrukcję w swoim języku możesz znaleźć na stronie:

**SV:** En handbok på ditt språk finns på Internet:

**NL:** Een handleiding in uw taal vindt u op internet:

**[bit.ly/3G7Gn43](http://bit.ly/3G7Gn43)**



## **Table of content**

General instructions.....	3
Explanation of symbols.....	3
Product introduction.....	4
Declaration and proven safety.....	4
Intended use .....	4
Restrictions .....	5
Safety instructions .....	6
Operating environment .....	8
Storage environment .....	10
Camera description.....	11
First use.....	13
Step 1: Install battery and memory card .....	13
Step 2: Charge the battery.....	14
Step 3: Format the memory card.....	15
Camera functions.....	16
Photo mode .....	18
Video mode.....	20
Switching between the displays .....	21
Playback mode.....	22
Other menu settings .....	23
File transfer to PC.....	28
Troubleshooting.....	31
Technical Specifications .....	32
Box contents .....	33
Disposal.....	34
Declaration of conformity.....	36

## **Disclaimer**

Easypix makes no representations or warranties with respect to this manual and, to the maximum extent permitted by law, expressly limits its liability for breach of any warranty that may be implied to the replacement of this manual with another. Furthermore, Easypix reserves the right to revise this publication at any time without incurring an obligation to notify any person of the revision.

Easypix is not responsible or liable for misuse of the information that is contained herein. If you have any suggestions for improvements or amendments or have found errors in this publication, please notify us.

All pertinent state, regional, and local safety regulations must be observed when installing and using this product. For reasons of safety and to help ensure compliance with documented system data, only the manufacturer shall perform repairs to components.

Failure to observe this information can result in injury or equipment damage.

Copyright © by Easypix GmbH

All rights reserved. No part of this publication may be reproduced, distributed, or transmitted in any form or by any means, including photocopying, recording, or other electronic or mechanical methods, without the prior written permission of the publisher. For permission requests, please write to the publisher below.

Easypix GmbH, Em Parkveedel 11, 50733 Köln, Germany  
support@easypix.com • www.easypix.com

## General instructions

Read this manual and its safety instructions before using this product.

Follow all the instructions. This will avoid fire, explosions, electric shocks or other hazards that may result in damage to property and/or severe or fatal injuries.

The product shall only be used by persons who have fully read and understand the contents of this user manual.

Ensure that each person who uses the product has read these warnings and instructions and follows them.

Keep all safety information and instructions for future reference and pass them on to subsequent users of the product.

The manufacturer is not liable for cases of material damage or personal injury caused by incorrect handling or non-compliance with the safety instructions.

## Explanation of symbols



**WARNING**

Warning indicates a hazard with a medium level of risk which, if not avoided, could result in serious injury.

**NOTICE**

Indicates information considered important, but not hazard-related.

## **Product introduction**

The GoXtreme 'Reef' is a high quality digital still and video camera.

Waterproof to 3M and featuring a 8MP sensor, it captures photos up to 24MP resolution and records video up to 1080P Full HD.

Powered by rechargeable battery, 'Reef' utilizes 2 full colour displays and 4x digital zoom to ensure your selfies, photos and videos are framed and captured perfectly.

## **Declaration and proven safety**

The product has been verified in accordance with the essential requirements and other relevant provisions of Directives 2014/30/EU, 2011/65/EU and in accordance with the Radio Equipment Regulations 2017 (SI 2017 No. 1206). Its safety complies with the requirements of the relevant national regulations.

## **Intended use**

This product is intended for use anywhere selfies, photos or videos are taken.

It's 3m waterproof rating means it can also be completely submerged and used under water.

***NOTICE***

## **WATERPROOF AND DUSTPROOF PERFORMANCE**

The waterproof and dustproof performance described do not guarantee that the camera will remain completely waterproof or free from damage and trouble under all conditions.

Do not subject the camera to excessive shock, vibration or pressure by dropping it, hitting it or placing a heavy object on it.

Failure to observe this precaution could deform the camera, cause water to seep inside, or damage the airtight seals, resulting in camera malfunction.

## **Restrictions**



### **WARNING**

**The product is not suitable for children under 3 years because of choking hazard.**

- Contains small parts, in order to avoid swallowing, please ensure any use by children is undertaken with adult supervision.
- The camera is suitable for use underwater to a maximum depth of 3 metres. Do not use the camera at depths exceeding 3 metres.
- Do not use your camera in hot springs, hot tubs or jacuzzis where it can be exposed to extreme water temperature.

## Safety instructions



### WARNING

**This product is only suitable for the purpose described, the manufacturer is not liable for damage caused by abnormal use.**



### WARNING

**Please read this instruction manual carefully before use, and ensure the batteries are installed correctly.**

- Do not leave the camera in a high or low temperature environment for a prolonged period of time.
- Keep the camera out of the reach of small children.
- No special maintenance is required during use. Please contact the seller or manufacturer if your device displays a fault.
- Please dispose of the waste and residues at the end of the service life of the product according to local laws and regulations.



### WARNING

- If you think this product is damaged in any way, please do not use the product.

- Do not open this product without permission.
- Contains small parts, in order to avoid swallowing, please ensure any use by children is undertaken with adult supervision.



## **WARNING**

### **BATTERY**

- Use only rechargeable batteries approved for use with this product
- Do not short-circuit the battery terminals.
- Avoid battery terminal contact with jewellery, hairpins or other metal objects.
- The battery should only be recharged in the camera.
- Insert the battery and memory card before using the camera underwater. Take care to ensure that all flaps and covers are closed and that no water can penetrate the camera. If this happens, turn off the camera and do not use it underwater.
- Never open the battery compartment under water. If moisture appears on the lens during use, it may be leaking. Remove the battery and the memory card and return the camera to your dealer for repair.
- Please remove the battery if the camera is not going to be used for an extended period of time.



## **WARNING**

- To avoid the risk of electric shock, do not insert the



power cord with wet hands. The battery compartment should only be opened with clean, dry hands to also ensure that no dirt enters the camera when inserting, changing or removing the batteries or SD card.

- In order to prevent product damage or negatively affecting the sound or image quality, please ensure a sufficient distance is maintained from objects that generate strong magnetic fields or radio waves, such as electrical appliances.
- In the unlikely event of overheating, smokes or unpleasant odors coming from the unit, disconnect it immediately from the charging cable and remove the battery to avoid a fire.

## **Operating environment**

- Do not expose the device to abnormally high or low temperatures.
- Store the device cool (at room temperature) in a dry and dust-free location and never expose the product to high temperatures or direct sunlight.
- Always protect your camera from falls, shock and impact.

## **Precautions for waterproof use**

As your camera is waterproof, it can be used under water while playing and swimming etc.

To prevent it from sinking or getting lost in the water, you can attach the included wrist strap to the camera before entering the water.

To prevent damage please ensure that you do not open the camera while in the water.

After use in swimming pool water or sea or lake salt water, please rinse it with clean tap water and wipe dry before opening the battery compartment.

The cameras default settings are optimised for most circumstances enabling you to take photos or videos immediately after inserting a memory card and switching it on.

## **Cleaning**

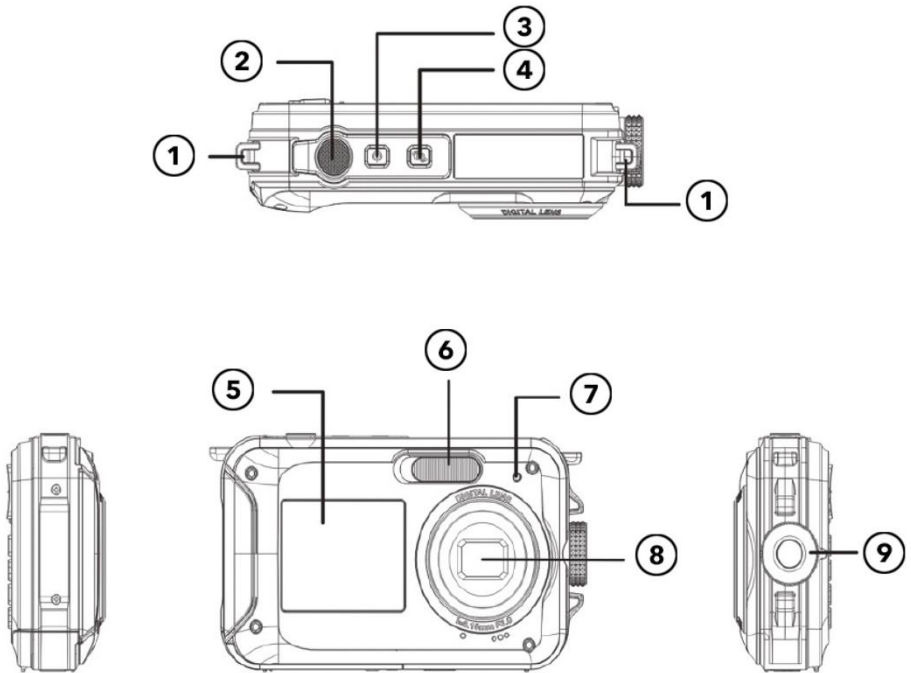
After use in water, turn off the camera, ensure the battery compartment is tightly closed, and rinse the camera with fresh water within 30 minutes.

- The best cleaning method is to immerse the camera in a basin of fresh water for 10 minutes.  
When the camera is immersed in water, air bubbles may be seen coming from the water drain holes of the camera such as openings in the microphone or speakers. This is not a malfunction.
- Do not use soap or detergents, as they could negatively affect the integrity of the waterproof seals on the camera.
- Allow the camera to dry at room temperature after rinsing.

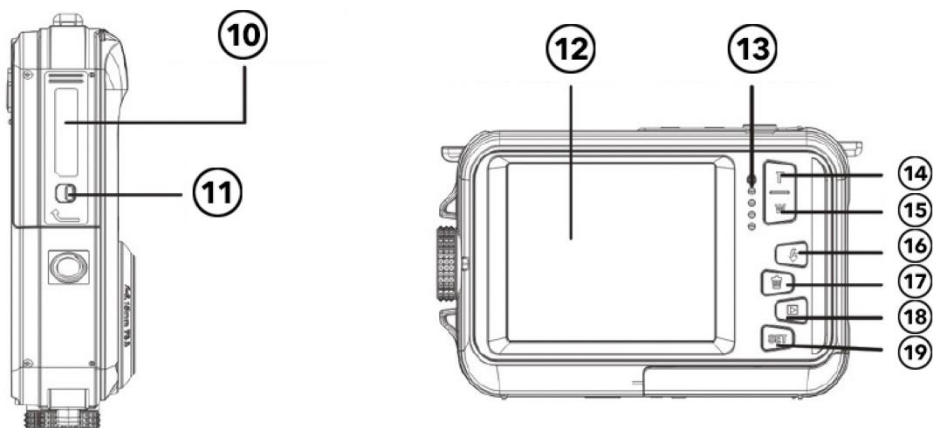
## **Storage environment**

Store the product in a cool place (at room temperature) in a dry and dust-free environment and never expose it to high temperatures or prolonged exposure to direct sunlight.

## Camera description



1. Rope hole
2. Shutter button
3. Power button
4. Switch between the two screens
5. Selfie screen
6. Flash light
7. Selfie indicator
8. Lens
9. Zoom switch



- 10. Battery cover/TF card/USB
- 11. Battery cover lock
- 12. Main screen
- 13. Power indicator
- 14. Zoom in/Up
- 15. Zoom out/Down
- 16. Flash light/Right
- 17. Delete/Left
- 18. Mode button/Back
- 19. Menu button/OK

## First use

### **NOTICE**

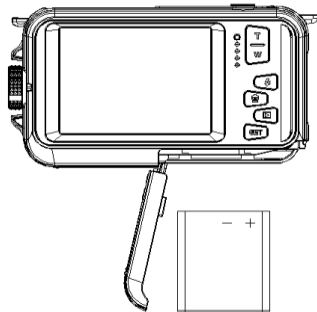
#### **Opening and closing the battery compartment:**

Always ensure the camera and your hands are dry. Ensure that there is no debris inside the battery-chamber or memory card slot.

Always ensure that the battery cover is firmly closed and the security lock is in the lock position before using the camera.

#### **Step 1: Install battery and memory card**

- Slide and hold the Lock/Unlock Switch on the battery cover to the unlock position and open the battery cover by sliding it open.
- Insert the battery ensuring correct polarity and pin alignment
- Insert the memory card as indicated
- Push the Micro SD card until it clicks into place,

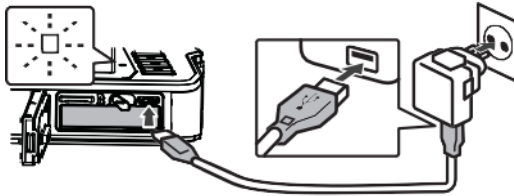


which confirms the SD card is correctly installed.

- Slide the battery cover closed until it clicks to ensure it is securely locked.

## **Step 2: Charge the battery**

- Open the battery compartment door and connect the camera to a USB AC adaptor using the Micro USB cable provided.
- Connect the AC Adaptor to a power outlet.



- The red indicator LED confirms the battery is charging.
- The charging process is complete when the LED indicator turns off.
- Disconnect the charging cable from the camera and close the battery compartment door ensuring you push the Lock/Unlock button to the Lock position until it clicks into position to confirm a secure seal.

### **Step 3: Format the memory card**

#### **NOTICE**

**To ensure the optimal performance of your camera, please note the following important information:**

- Before using any micro SD card in your camera for the first time, please ensure your memory card is formatted in the camera. This option can be found in the camera's settings menu:  
**Menu > Format Memory Card**
- **The formatting process deletes any data or files currently on the card.**  
**Please ensure important files are backed up before formatting the card for use with the camera.**
- The maximum memory card capacity supported is 32GB.  
Use of memory cards exceeding the maximum recommended capacity may result in file errors.
- The recording time varies depending on the resolution selected.



- Memory cards with a speed class rating of 6 or faster are recommended for recording videos. When using a memory card with a lower speed class rating, video recording may stop unexpectedly.

## Camera functions

### **Turning on the camera:**

Press the power key on the top of camera to turn on the camera.

The LCD screen will activate to confirm the camera is working.

### **Photo capture mode:**

After turning the camera on, the photo icon will be displayed on the LCD screen to confirm the camera is in photo mode

To capture a photo press the shutter key.

After taking a photo, the number displayed on the screen indicates how many more photos can be taken considering the current settings and the size of the memory card currently installed in the camera.

A message will be displayed on the screen when the SD card is full.

To continue, please transfer all data on the SD card to your computer or insert a new memory card.

### **Switching between displays:**

To switch between the front and rear screens press the 'Display screen switching Key'.

Each press of this button will activate the front 1.8" screen and rear 2.7" screen in sequence.

### **Digital zoom:**

Your camera features a 4x digital zoom.

Press the up button to zoom in and the down button to zoom out.

### **Built-in flash:**

Press the 'Flash' key to activate the various flash modes.



This icon indicates 'Flash Off'.

The flash will not operate when this mode is selected.



This icon indicates 'Auto Flash' mode and the camera will activate the flash automatically if required in low light conditions.



This icon indicates 'Flash Mode' and the flash will operate every time a photo is taken.



This icon indicates 'Anti-Red Eye' mode. The camera flash will operate a flash burst to reduce the red eye effect in your photos.

## Photo mode

While in Photo mode press the menu key to access the various settings menu items as follows:

### Scenes

Several scene modes are available to facilitate photo capture in different environments.

If required, you can select a mode that matches the condition best that you are shooting in.

Press the power key to turn on camera.

1. Press the menu key
2. Press the left/right keys to choose 'Scene'.
3. Press up/down key to select your preferred scene.
4. Press OK to confirm.

### Photo resolution

1. Press the menu key.
2. Press left/right key to select photo size.
3. Press the up/down key to highlight a resolution option.
4. Press the OK key to confirm your selection.

The photo size icon will be displayed on the LCD screen.

### Self Timer


Use the self timer to set a delay between pressing the shutter button and the camera taking a photo.

1. Press the Menu key.
2. Press the left/right keys to select the self-timer function.

3. Press the up/down keys to review the self-timer options.
4. Press the OK key to confirm your selection.

### **Anti-shake**

Your camera features an anti shake function to deliver better photo quality when a tripod is not being used.

1. Press the menu key.
2. Press the left/right keys to select anti shake function.
3. Press the up/down key to select anti shake on/off.
4. Press OK to confirm your selection.
5.  This icon will be displayed on the LCD screen to confirm anti-shake is activated.

### **Face detection**

To activate the face detection function.

1. Press the menu key.
2. Press the left/right keys to select the face detection function.
3. Press the up/down keys to select face detection on/off.
4. Press OK key to confirm your selection.

### **Multi snapshot (Burst photo)**

The continuous shooting function allows you to capture 6 individual photos in rapid succession with just one press of the shutter button.

1. Press the menu key
2. Press the left/right keys to select continuous shooting function.
3. Press the up/down keys to select continuous shooting

on/off.

4. Press OK key to confirm your selection.

**Please Note:**

When using the 'Continuous Shooting' function, the photo resolution automatically changes to VGA.

## Video mode

Press the mode key to activate the video recording mode.

Press shutter key to start recording.

The video icon will show on top the left of the LCD screen.

The red 'Recording' icon will flash to confirm that video is currently being recorded.

***NOTICE***

When a video recording file size reaches 4GB of data, while recording the camcorder automatically divides the recording and starts a new file. Recording is not interrupted however the final recording will be comprised of 2 or more files depending on the length of time of the recording and the total amount of data saved.

This is a fundamental limit of all FAT file systems due to the maximum allowed file size on a FAT system.

## Switching between the displays

**The camera has two screens:**

**A main screen on the back and a front screen on the front.**

The larger rear screen gives you a large overview of your photo and video recordings and all functions of your camera.

The front screen is perfect for your selfie shots.

For example, you can take photos and videos of yourself underwater and always keep a perfect view of the perfect detail. Just switch between the displays and see yourself on the front screen.



**Front Screen for Selfies**

2.0"/5.0cm (4:3)

**Main Screen**

3.0"/7.6cm (16:9)

### **NOTICE**

**Settings and Playback mode are not available on the front screen.** They are only available on main screen on the back of the camera.

## Playback mode

Press the mode key to enter playback mode.

Using playback mode you can view photos and video files currently saved on the memory card.

You can also rotate, protect and delete files.

Press the menu button in playback mode to access the following options:

### **Delete:**

To delete one or all unprotected images or videos.

1. Press the menu key in playback mode.
2. Press the left/right keys to select the delete function.
3. Press the up/down keys to select: This image/All images /Cancel.
4. Press the OK key to confirm your selection.

### **Rotate:**

1. Press the menu key in playback mode.
2. Press the left/right keys to select the 'Rotate' function.
3. Press the up/down keys to select:  
90° /180° /270° /Cancel.
4. Press the OK key to confirm your selection.

### **Protect:**

Protect images and videos to avoid deleting them by accident.

1. Press the menu key in playback mode.
2. Press the left/right keys to select the “Protect” function
3. Press the up/down keys to select: lock/unlock individual files or all files at once.
4. Press the OK key to confirm.
5. When viewing photos or videos, protected files will display a lock icon on the screen.

### **Slide Show Playback:**

You can choose how long you want each photo to be displayed on the screen when using the preview mode.

## **Other menu settings**

### **White balance:**

This option adjusts the photo colour and can be adjusted according to light source.

1. Press the left/right keys to select White Balance option under setting menu.
2. Press the up/down keys to make your selection.

### **Colour effect:**

1. Press the left/right key to select the Effects option under setting menu.
2. Press the up/down keys make your selection.
3. Press the OK key to confirm and save your selection.



### **Image sharpness:**

The function permits the user to adjust the sharpness of the photo so that the edge is clearer or softer.

1. Press the left/right key to select the sharpness option under setting menu.
2. Press the up/down keys to make your selection.
3. Press the OK key to confirm and save your selection.

### **Light exposure:**

Adjusts your photos brightness.

1. Press the left/right keys to select the Exposure option.
2. Press the up/down keys to select EV(+3 to -3).
3. Press the OK key to confirm and save your selection.

The relative icon will be displayed on the LCD screen.

### **ISO:**

This is a special function for when the light source is insufficient, but the environment you are shooting in may not allow for use of the flash.

1. Press the left/right keys to select the ISO option under the settings menu.
2. Press the up/down keys to select the ISO:  
Auto/100/200/400.
3. Press the menu key to save. The relative icon will be displayed on the LCD screen.

**Metering:**

Metering evaluates the light of a scene to determine the correct shutter speed, aperture, or ISO.

**Center-weighted metering** - evaluates the light in the middle of the frame and its surroundings and ignores the corners

**Multi metering** - uses light information from the entire scene and creates an average for the final exposure setting, giving no weighting to any particular portion of the metered area.

**Spot metering** - evaluates the light around your focus point and ignores everything else

1. Press the left/right keys to select the Metering option under the settings menu.
2. Press the up/down keys to select the preferred option.
3. Press the menu key to save. The relative icon will be displayed on the LCD screen.

**Language:**

1. Press the left/right keys to select the Language option under the settings menu.
2. Press the up/down keys to select the preferred option.
3. Press the menu key to save.

**Date/Time:**

1. Press the left/right keys to select the Date/Time option under the settings menu.

2. Press the up/down keys to select the preferred option. Select ON to place a time and date stamp on your photos and video recordings. Select OFF if no time and date stamp is required.
3. To set the time and date use the left/right keys to select the parameter to adjust.
4. Use the Up/Down keys to change the time and date values.
5. press the Mode key to Exit.

### **Silent mode:**

1. Press the left/right keys to select the Silent Mode option under the settings menu.
2. Press the up/down keys to select the preferred option. Select ON to hear a beep with each key press. Select OFF to turn off the beep.

### **Auto Power Off:**

Please note: The default setting for auto power off for camera is 3 minutes.

This can be adjusted as follows:

1. Press the left/right key to select the Auto Power Off option.
2. Press the up/down keys make your selection.
3. Press the OK key to confirm and save your selection.

Note: If you choose 'Off', the camera will not auto shut down until the battery runs out of charge.

**Frequency:**

Set the frequency according to your local power supply.

1. Press the left/right key to select the Frequency [HZ] option.
2. Press the up/down keys make your selection.
3. Press the OK key to confirm and save your selection.

**Format memory card:**

See 'Format Memory Card' under the 'First Steps' section of this manual.

**Firmware / Factory reset:**

Press the left/right key to select the Firmware option.  
The LCD will display the firmware version currently installed.

To reset the camera to the factory default settings:

Select the 'Default Setting' option.

Press Menu/OK

To continue press the Up key the select 'YES'.

Press the Menu button to complete the camera reset.

***NOTICE***

Settings menu options differ depending on what mode (Photo or Video) the camera is operating under when the menu is accessed.

## File transfer to PC

1. Turn on the camera.
2. Select playback mode.
3. Connect the camera to a computer via a USB cable.
4. The removable disc image will pop up on the screen as shown below
5. Click the removable disk to view the photos, which will be stored in the sub file of DICM.
6. You can the copy and paste the photos to your chosen folder or location.

### WINDOWS:

1. Use the USB cable that came with your camera to connect your camera to your computer.
2. Turn on the camera.
3. MSDC appears on the LCD screen.
4. A window appears with a list of options. Select “Open folder to view files” and click OK.
5. Open the DCIM folder and the folder inside to view the media files.
6. Select the media and copy the files from this folder into your computer.

Alternatively, select the files and choose Copy from the Edit menu.

Then select a folder and choose Paste from the Edit menu.

7. Do not disconnect the cable during transfer. Doing so will cancel the current transfer of any files to your computer.
8. When finished, ensure the camera's connection with Windows is properly terminated before disconnecting the cable.



## MAC OS:

1. Use the USB cable that came with your camera to connect your camera to your computer.
2. Turn on the camera.
3. MSDC appears on the LCD.
4. The camera's device icon appears on the desktop.
5. Click on the device icon and open the DCIM folder and the folder inside to view the media files.
6. Select the files and drag them to your computer. Alternatively, select the files and choose Copy from the Finder's Edit menu.

Then select a folder and choose Paste from the Edit menu.

7. Do not disconnect the cable during transfer. Doing so will cancel the current transfer of files to your computer.
8. When finished, ensure the device icon is dragged to the bin before disconnecting the cable.
9. Alternatively, right click and select the 'Eject....' Option

## Troubleshooting

If the camera fails to function as expected, please check the list of common problems below before consulting your retailer.

Problem	Cause/Solution
The camera cannot be turned on.	<ul style="list-style-type: none"><li>- The battery is exhausted.</li><li>- Battery installation error.</li></ul>
The camera turns off without warning.	<ul style="list-style-type: none"><li>- The camera automatically turns off to save power (Auto Power Off function activated in camera settings).</li><li>- Camera and battery may not work properly at low temperatures.</li><li>- The inside of the camera has become hot. Leave the camera off until the inside of the camera has cooled, and then try turning it on again.</li></ul>
The screen is blank.	<ul style="list-style-type: none"><li>- The camera is off.</li><li>- The camera automatically turns off to save power (auto power off).</li><li>- The functions are displayed on only one of the two screens. Please check if the other screen is active.</li></ul>
The camera becomes hot.	The camera may become hot when used for an extended period of time such as to shoot movies, or used in a hot environment. This is not a malfunction.



## Technical Specifications

Sensor	8MP CMOS sensor
Photo resolution	(24M*) 5600x4200 (20M*) 5200x3900 (16M*) 4608x3456 (14M*) 4416x3312 (12M*) 4000x3000 (10M*) 3648x2736 (8M) 3264x2448 (7M HD) 3648x2048 (5M) 2592x1944 (3M) 2048x1536 (2M HD) 1920x1080 (VGA) 640x480
Video resolution	FHD 1920x1080 HD 1280x720P VGA 640x480 QVGA 320x240
Displays	2.7" rear screen 1.8" front screen
External memory	Micro SD cards max. up to 32GB (not included)
Digital zoom	4x
White balance	Auto/Daylight/Cloudy/ Flourescent/Incandescent
Scene	Auto/Scenery/Portrait/Night scenery/Night portrait/High sensitivity/Sports/Beach/Party

ISO	Auto/100/200/400
EV	-3~+3
Self timer	2s, 5s, 10s
File format	JPEG/AVI
Anti-shake	Yes
Flash light	Auto/force flash light/flash off/ Anti red eye
Face detection	Yes
Continuous shooting	Yes
Microphone	Built-in
Interface	USB Type-C
Battery	650mAh Lithium Battery
Working temperature	0-40°C

\*by interpolation

## Box contents

- Camera
- Pouch
- Hand strap
- USB cable
- Lithium battery
- Manual EN/DE

Operating instructions in other languages are available for download at <https://bit.ly/3G7Gn43>

or

[www.easypix.info/download-manuals/download/goxtreme-reef/](http://www.easypix.info/download-manuals/download/goxtreme-reef/)

## Disposal



### Disposal of packaging:

Dispose of the packaging according to its type.

Add cardboard and paperboard to the waste paper, foils and plastic wrapping to the recyclable waste collection.



*Séparez les éléments avant de trier*

<b>IMBALLAGGIO ESTERNO</b> PAP 22 Cartone carta	<b>IMBALLAGGIO INTERNO</b> PAP 22 Cartone carta
<b>RACCOLTA DIFFERENZIATA</b>	Verifica le disposizioni del tuo Comune. Svuotare l'imballaggio. Conferisci in raccolta il contenitore vuoto.



**Waste electrical and electronic equipment and/or batteries disposed of by users in private households in the European**

**Union:**

This symbol on the product or on its packaging indicates that it cannot be disposed of with household waste. You must dispose of your old appliance and/or battery by handing it over to the applicable collection

system for the recycling of electrical and electronic equipment and/or batteries. For more information on recycling this device and/or battery, contact your local council, the shop where you purchased the device or your household waste disposal service. Recycling materials helps to conserve natural resources and ensures that it is recycled in a way that protects human health and the environment.



## WARNING

### **Warning regarding batteries:**

- Do not disassemble or hit the battery. Be careful not to short-circuit the battery. Do not expose the battery to high temperatures. Do not continue using the battery if it leaks or expands.
- Keep the battery away from children.
- Batteries can explode if exposed to an open fire.  
Never throw batteries into fire.
- Dispose of used batteries according to local regulations.
- Before disposing of the device, remove the battery and dispose of it separately.

## Declaration of conformity



### EU Declaration of conformity

We hereby declare that the product is in conformity with the essential requirements and other relevant provisions of Directives 2014/30/EU and 2011/65/EU.

The full text of the EU Declaration of Conformity can be found in German and English at:

[www.easypix.info/download/pdf/doc\\_goxtreme\\_reef.pdf](http://www.easypix.info/download/pdf/doc_goxtreme_reef.pdf)



### UKCA Declaration of conformity

We hereby declare that the product complies with the Radio Equipment Regulations 2017 (SI 2017 No.1206).

The full text of the UK Declaration of Conformity can be found in English at:

[www.easypix.info/download/pdf/doc\\_goxtreme\\_reef.pdf](http://www.easypix.info/download/pdf/doc_goxtreme_reef.pdf)

**EASYPPIX** | LIFESTYLE  
ELECTRONICS