

GOXTREME® GX1 DUAL GIMBAL

USER'S GUIDE

FR // Un manuel dans votre langue est disponible sur Internet:

IT // Un manuale nella tua lingua può essere trovato su Internet:

ES // Puede encontrar un manual en su idioma en Internet:

PT // Um manual em seu idioma pode ser encontrado na Internet:

PL // Instrukcję w swoim języku możesz znaleźć na stronie:

SWE // En handbok på ditt språk finns på Internet:

NL // Een handleiding in uw taal vindt u op internet:

<http://www.easypix.info/download-manuals/download/goxtreme-gx1/>

3-AXIS STABILIZING GIMBAL

/ Compatible with action cams with max. size 6.5 x 4.5 x 2.7cm /

/ Compatible with smartphones with 6.5 - 8.5cm on narrow side /

/ App compatible with iOS 10.0 or higher / Android 5.0 or higher /

/ Max. carrying weight: 230g /

/ 4000mAh battery built-in /

WARNING

Do not turn on the gimbal until you have correctly installed and adjusted your smartphone or action cam.

Adjusting the smartphone or action cam position during operation can cause damage!

Please charge the gimbal fully before using for the first time.

When mounting action cams please use the included action cam adapter.

The gimbal should only be used in temperatures from 0°C to 40°C.

Use of the battery in environments above 40°C can lead to a fire or explosion.

Use of battery below 0°C can lead to serious damage.

CHARGING THE BATTERY

1. Do not put the gimbal near flammable materials or on flammable surfaces. Never leave the battery unattended during charging to prevent any accident.
2. Do not charge the battery immediately after use, when the gimbal temperature may be too high. Let the battery cool down to at room temperature. Charging the battery with its temperature over 40°C or lower than 5°C may lead to leakage, overheating, or battery damage.
3. Examine the charger and cable before use. Make sure there is no damage to the enclosure, cord, plug, or other parts. Never use a damaged charger cable. Do not clean the charger cable with alcohol or other flammable solvents.
4. The battery will automatically stop charging when it is full.

STORAGE

1. Do not leave the gimbal near heat sources such as a furnace or heater, or leave it exposed inside a vehicle on hot days.
2. Store the gimbal in dry environment, and never store it in any environment with temperature of over 40°C.
3. In order to prevent over-discharge of the battery which may result in damage to the battery, do not leave the gimbal unused for too long in the case where the battery has been completely discharged.

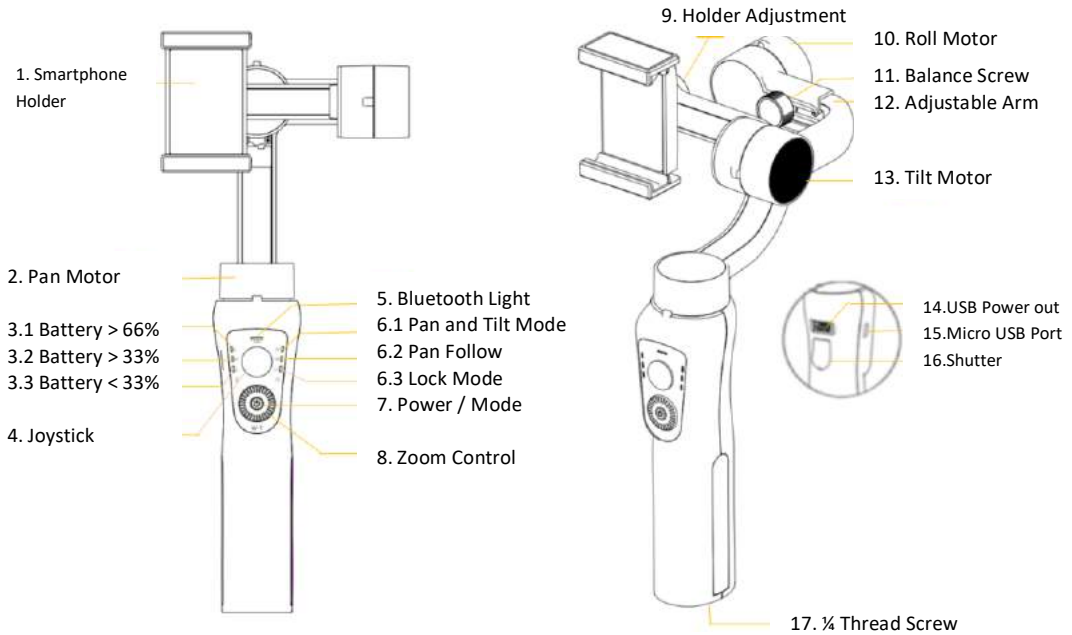
TRAVEL NOTICE

Discharge the battery power to 5% or lower before carrying the battery on an air flight.

CAUTION

1. The gimbal is a high-precision control device, damages may be caused to it if it is dropped or subject to external force, and this may result in malfunction.
2. Make sure the rotation of gimbal axes is not blocked by external force when the gimbal is switched on.
3. The gimbal is not waterproof or water-resistant. Ensure contact with liquid of any kind is prevented. It is recommended to use a dry cloth for cleaning.
4. Protect the gimbal from dust and sand during use.
5. Hold the gimbal's handle still in when it is powering up to ensure it starts up successfully.
6. Make sure the batteries are fully charged before each use.
7. Discharge the battery to 40%~65% if it will NOT be used for over 10 days. This can greatly extend the battery life.
8. Charge and discharge the battery completely once every 3 months to keep it active.

FUNCTIONS



1. Smartphone Holder

2. **Pan Motor:** This motor allows your gimbal to rotate 330° horizontally

3. Battery Level Indicator

4. **Joystick:** Control movement UP/DOWN (tilt motor) and LEFT/RIGHT

5. **Bluetooth Light:** Illuminated blue LED indicates that it is connected. Flashing LED indicates that it is trying to connect

6. **Operation Mode Indicator Light:** Displays the current operation mode of the gimbal

6.1 Pan and Tilt Follow Mode

6.2 Pan Follow Mode

6.3 Lock Mode

7. Power on/off and Mode Button

Power on/off: Press and hold the button for 3 seconds until the three lights (6.1)(6.2)(6.3) flash blue.

Mode Button: Single press to switch between the modes.

Press 2 times to bring the camera to its original position.

8. Zoom Control

9. Holder Adjustment

10. **Roll Motor:** Allows the gimbal to rotate 160° vertically

11. **Balance Screw:** Adjusts the balance and distribution of the weight of the smartphone/camera while mounted in the gimbal.

12. **Adjustable Arm:** Pull out or push the adjustable arm until the smartphone balances itself.

13. **Tilt Motor:** Allows your smartphone/camera to rotate 330° horizontally

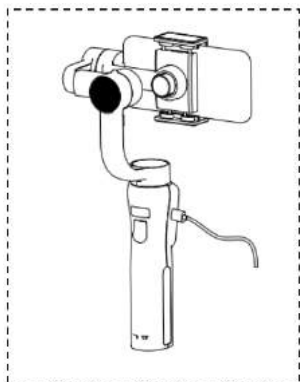
14. **USB Power Out:** For charging the smartphone/camera directly from the gimbal (via USB cable)

15. **Micro USB Port:** For charging the gimbal battery by connecting it (via USB cable) to a computer or phone charger.

16. **Shutter Button:** Press once to capture picture and video.

17. **1/4 Thread Screw**

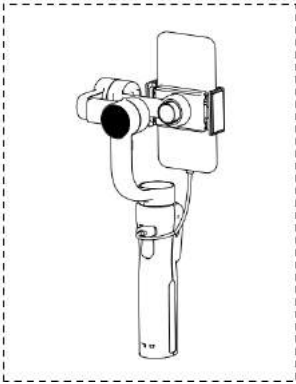
CHARGING & POWERBANK



CHARGING THE GIMBAL BATTERY

Connect the charger cable port on the side of gimbal's handle to a power source such as a power pack (not included) or a computer or phone charger to charge the gimbal battery.

PLEASE NOTE: Do not charge the battery immediately after use, when the gimbal temperature may be too high. Let the battery cool down to near room temperature!



POWERBANK:

CHARGING THE PHONE FROM THE GIMBAL

The USB power out port at the back of the gimbal can be used for charging your smartphone/camera while recording.

PLEASE NOTE:

An L-shape charging connector is required when the smartphone is mounted horizontally on the mobile holder.

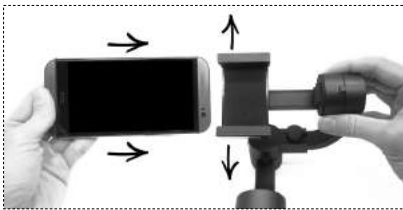
MOUNTING THE SMARTPHONE

Step 1:

DO NOT TURN ON THE GIMBAL UNTIL YOU HAVE INSTALLED AND ADJUSTED THE SMARTPHONE. ADJUSTING THE SMARTPHONE POSITION DURING OPERATION CAN CAUSE DAMAGE!

The gimbal is compatible with smartphones measuring between 6.5 - 8.5cm in width.

Slide the phone holder apart and slide the smartphone all the way right until it touches the tilt motor.



Step 2: Before turning on the gimbal, try to adjust the total weight as centred as possible so that the smartphone is slightly horizontal. You can adjust the weight distribution with the adjustable arm (12). The smartphone should also be placed far enough into the holder to avoid falling out.





Step 3: Switch on the gimbal by pressing the power button for 3 seconds. When turned on, the gimbal automatically aligns itself.



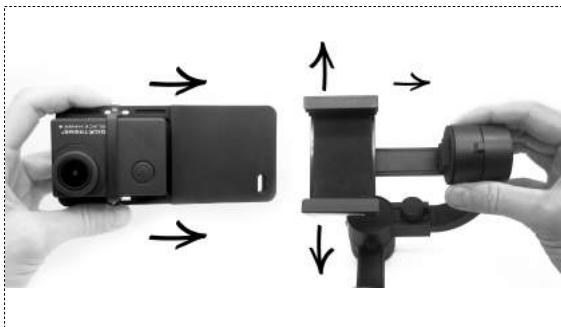
MOUNTING THE ACTION CAM

Step 1: Mount your cam in the included action cam adapter.

Use the screws supplied to secure the camera to the adapter as shown in the image below:



The adapter is compatible with action cams with a maximum dimensions: 6.5 x 4.5 x 2.7cm.



Step 2:

Mount the adapter to the gimbal.
DO NOT TURN ON THE GIMBAL UNTIL YOU HAVE INSTALLED AND ADJUSTED THE ACTION CAM ADAPTER.

Adjusting the adapter position during operation can cause damage!

Slide the holder apart and slide the action cam adapter all the way right until it touches the tilt motor.



Step 3: Before turning on the gimbal, try to adjust the total weight as centred as possible so that the action cam adapter is slightly horizontal. You can adjust the weight distribution with the adjustable arm (12).

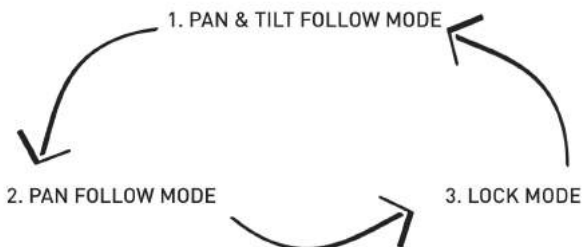
Step 4: Switch on the gimbal by pressing the power button for 3 seconds. Then turn the camera forward by sliding the joystick (4) down.



SWITCHING BETWEEN OPERATION MODES

You can manually adjust the smartphone/camera under all the following modes. Alternatively, you can move the joystick up, down, left or right to control the smartphone/camera.

1. The stabilizer automatically enters the default **PAN & TILT FOLLOW MODE** when switched on.
2. Single press the **Mode** button to switch to **PAN FOLLOW MODE**.
3. Single press the **Mode** button again to switch to **LOCK MODE**.
4. Single press once more to go back to the **PAN & TILT FOLLOW MODE**.





1. PAN & TILT FOLLOW MODE

The roll axis is locked and smartphone follows the handle to move in the tilt and horizontal direction.



2. PAN FOLLOW MODE

Roll axis and tilt axis are locked and the smartphone follows the handle to move in the horizontal direction. Pan axis rotates smoothly with turn of wrist.



3. LOCK MODE

All three axes are locked and the smartphone won't follow handle to move.

SWITCHING FROM HORIZONTAL TO VERTICAL VIEW

There are two ways to get to the vertical shooting mode:

1. AUTOMATIC SWITCHING

Within all of the three modes, rotate the gimbal to the left or right to about 70°.

The gimbal will enter a vertical shooting mode automatically.



2. MANUALLY SWITCHING THE MOUNT ORIENTATION

Warning: To avoid the potential for permanent damage to the device, please ensure that the gimbal is switched off during the following steps.

Loosen the adjustment screw (9) on the back of the holder, rotate the holder into a vertical position and slide the smartphone into the holder. With the smartphone in place, re-tighten the screw.



APP & BLUETOOTH CONNECTION

Via Bluetooth you can conveniently start and stop recording or take photos by simply pressing the shutter button on the gimbal handle.

1. Power on the gimbal
2. Activate Bluetooth on your smartphone.
3. Go to the Bluetooth settings on your smartphone and connect to the gimbal.

ADDITIONAL APP FUNCTIONS

Via the app you can use features such as Zoom in/out, Face tracking, Object tracking, Motion time lapse and more ...

1. Scan the QR code on the packaging or download the "Gimbal Pro" app to your smartphone from the app store (AppStore or GooglePlay).
2. Install the app on your iOS or Android smartphone.
3. Activate the Bluetooth function on your smartphone and connect it to the gimbal.
4. Open the Gimbal Pro app and follow the on-screen instructions.

TECHNICAL SPECIFICATIONS

Pitch (Tilt) angle	325°
Roll angle	180°
Panning angle	330°
Max. carrying weight	230g
Zoom control function	Yes
Battery and powerbank	4000mAh
Bluetooth	Yes
Operating voltage	3.4~4.2V (Standard 3.7V)
Operating temperature	0C° - 40C°
Compatible models	Smartphones with 6.5 - 8.5cm length on narrow side Action cams with max. size 6.5 x 4.5 x 2.7cm
App	Gimbal Pro for iOS 10.0 or higher / Android 5.0 or higher



All product specifications are correct at time of print and are subject to change without prior notice.

Easypix GmbH reserve the right for errors or omissions.

For technical help please visit our support area on www.easypix.eu.

CONFORMITY

The manufacturer hereby declares that the CE marking was applied to the product GoXtreme GX1 in accordance with the basic requirements and other relevant provisions of the following CE Directives:

2014/53/EU

2011/65/EC RoHS

2014/30/EU EMV

2012/19/EC WEEE



The EC Declaration of Conformity can be downloaded here:

http://www.easypix.info/download/pdf/doc_gx1.pdf

DISPOSAL



Dispose of packaging

For disposal, separate packaging into different types. Cardboard and board must be disposed of as paper and foil must be recycled.



Disposal of Waste Electrical and Electronic Equipment and/or Battery by users in private households in the European Union.

This symbol on the product or on the packaging indicates that this cannot be disposed of as a household waste. You must dispose of your waste equipment and/or battery by handing it over to the applicable take-back scheme for the recycling of electrical and electronic equipment and/or battery. For more information about recycling of this equipment and/or battery, please contact your city office, the shop where you purchased the equipment or your household waste disposal service. The recycling of materials will help to conserve natural resources and ensure that it is recycled in a manner that protects human health and environment.



Battery warning

- Never dismantle, crush, or pierce the battery, or allow the battery to short-circuit. Do not expose battery being placed in high temperature environment, if battery leaks or bulges, stop continue to use.
- Always charge using the charger. Risk of explosion if battery is replaced by an incorrect type.
- Keep the battery out of reach of children.
- Batteries may explode if exposed to naked fire. Never dispose of batteries in a fire.
- Disposed of used batteries observing local regulations.
- Before disposing the device, please remove the battery.



The camera is not suitable for children under 3 years because of choking hazard.



Made in China / Only for EU

EASYPIX | LIFESTYLE
ELECTRONICS