

GOXTREME®
GX3
DUAL GIMBAL



3-Axis Gimbal for Smartphones and Action Cams

USER MANUAL

FR : Un manuel dans votre langue est disponible sur Internet:

IT: Il manuale nella sua lingua può essere trovato su Internet:

ES: Puede encontrar un manual en su idioma en Internet:

PT: Um manual em seu idioma pode ser encontrado na Internet:

PL: Instrukcję w swoim języku możesz znaleźć na stronie:

SV: En handbok på ditt språk finns på Internet:

NL: Een handleiding in uw taal vindt u op internet:

bit.ly/3lQY2pF



Table of contents

General.....	3
Symbols used	4
The product.....	4
IMPORTANT NOTICE!	5
Intended use	5
Tested safety	6
Restrictions	6
Safety instructions	7
Operating environment	8
Storage environment	9
Description of the functions	10
Mode button functions.....	12
Charge the battery	13
Use the gimbal as a powerbank.....	14
Mount a smartphone.....	15
Mount an action cam.....	17
Change the gimbal mode.....	20
Central alignment	22
Change from horizontal to vertical alignment.....	22
Bluetooth connection	23
Additional app functions	23
Box contents	24
Technical specifications.....	25
Disposal.....	26
Declaration of conformity.....	28

Disclaimer

Easypix makes no representations or warranties in relation to this manual and, to the fullest extent permitted by law, expressly limits its liability for breach of any warranty which may arise from substitution of this manual for any other. Furthermore, Easypix reserves the right to revise this publication at any time without obligation to notify any person of such revisions.

Easypix is not responsible or liable for any misuse of the information contained herein. If you have any suggestions for improvements or changes, or if you have found any errors in this publication, please let us know.

When installing and using this product, all relevant state, regional and local safety regulations must be observed. For safety reasons and to ensure compliance with the documented system data, only the manufacturer may carry out repairs on components.

Failure to follow this information may result in injury or equipment damage.

Copyright © Easypix GmbH

All rights reserved. No part of this publication may be reproduced, distributed or transmitted in any form or by any means, including photocopying, recording or other electronic or mechanical methods, without the prior written permission of the publisher. For permission requests, please contact the publisher in writing.

Easypix GmbH, Em Parkveedel 11, 50733 Cologne, Germany
support@easypix.com - www.easypix.com

General

Read this manual and the safety instructions it contains before using the product.

Follow all instructions. This will help you avoid fire, explosion, electric shock or other hazards that could result in property damage and/or serious or fatal injury.

The product may only be used by persons who have fully read and understood the contents of these instructions for use.

Ensure that every person using the product has read and follows these warnings and instructions.

Keep all safety instructions and instructions for reference and pass them on to subsequent users of the product.

The manufacturer is not liable for damage to property or personal injury resulting from improper handling or failure to observe the safety instructions.

Symbols used

The following symbols are used in this manual:



WARNING

"Warning" indicates a hazard with a risk which, if not avoided, may result in injury.

NOTE

"Note" indicates information that is considered important but is not hazard-related.

The product

The GX3 gimbal is designed to deliver smooth, stable and professional shots with both smartphones and action cams. Thanks to the flexibly, adjustable smartphone mount and the included action cam adapter, the gimbal can be used for both smartphones and action cams.

The GX3 is a 3-axis stabiliser that ensures the right balance and brings out the best in every video. Even with unsteady movements, it is possible to achieve stable and balanced video recordings.

IMPORTANT NOTICE!

Do not switch on the gimbal until the smartphone or action cam is correctly mounted!

Do not switch on the gimbal until you have mounted and adjusted your smartphone or action cam in the mount.

Changes to the position of the smartphone or action cam during operation can cause damage.

Intended use

The GX3 Gimbal for smartphones and action cams is an electronic stabilization system used to capture stable photo and video. It is mainly used in video production as well as for personal shoots. The most common applications:
High-quality video recording: GX3 can be used to stabilize camera movements and deliver smoother recordings. It is particularly useful for scenes filmed handheld and for panning and tracking of shots.

Holiday shooting: The gimbal is ideal for travel shots such as hiking. It allows the user to take stable shots while on the move.

Live streaming: The GX3 can also be used for live stream recording to maintain a stable image and improve the quality of the recording. It can also be a great addition for vlogging or social media recording as it allows the user to capture a stable image while moving.

The GX3 Gimbal can be used indoors, outdoors, for sports, concerts or simply on the move.

Tested safety

The product has been tested in accordance with the essential requirements and other relevant provisions of Directives 2014/53/EU and 2011/65/EU & (EU) 2015/863. Its safety complies with the requirements of the relevant national regulations.

Restrictions



WARNING

The product is not suitable for children under 3 years of age as there is a risk of suffocation.

- Contains small parts. To avoid swallowing, please ensure that children use under adult supervision.
- This product is not suitable for use in wet environments.
- Please make sure that all parts are always dry.
- Make sure that all parts are not exposed to extreme temperatures.

Safety instructions



WARNING

This product is only suitable for the purpose described. The manufacturer is not liable for damage caused by improper use.



WARNING

Please read these instructions carefully before use.

Keep all small parts out of the reach of small children.

- Please dispose of waste and residues at the end of the product's useful life in accordance with local laws and regulations.
- If you believe this product is damaged in any way, please do not use it .
- The gimbal is a high-precision control device. Dropping it or subjecting it to external force can cause damage, which in turn can cause it to malfunction.
- Make sure that the rotation of the axes is not blocked by external force when the gimbal is switched on.
- The gimbal is not waterproof or water-resistant. Avoid contact with liquids of any kind. It is recommended to use a dry cloth for cleaning.

- Protect the gimbal from dust and sand during operation.
- Hold the handle of the gimbal steady when switching it on to ensure that it starts successfully.
- Make sure the battery is fully charged before each use.
- Discharge the battery to 40% - 65% if it is NOT used for more than 10 days. This can significantly extend the life of the battery.
- Fully charge and discharge the battery every 3 months to keep it active.

Operating environment

NOTE

Do not switch on the gimbal until you have mounted and adjusted your smartphone or action cam correctly.

Changes to the position of the smartphone or action cam during operation can lead to damage!

- Make sure the battery is fully charged before each use.
- To attach an action cam, please use the action cam adapter supplied.
- The gimbal should only be used at temperatures between 0°C and 40°C.

- Using the battery in environments above 40°C may cause a fire or explosion.
- Using the battery below 0°C may cause serious damage.

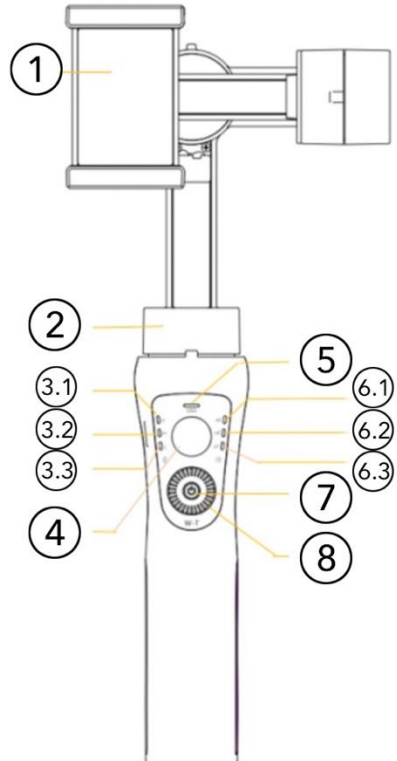
Storage environment

- Do not leave the gimbal near heat sources such as stoves or heaters, and do not place it in a vehicle on hot days.
- Store the gimbal in a dry environment and at temperatures below 40°C.
- Do not leave the gimbal unused for too long after it has been fully discharged to avoid over-discharging the battery. This could damage the battery and cause permanent damage.

NOTE

Travel advice: Discharge the battery to 5% or less before taking it on a flight.

Description of the functions



1. Bracket

2. Tilt motor

3. Battery level

4. Joystick:

Controls UP/DOWN
and LEFT/RIGHT movement

5. Bluetooth indicator:

Blue light is on - connection is established

Blue light is flashing - connection is being established

6. Operating mode of the gimbal:

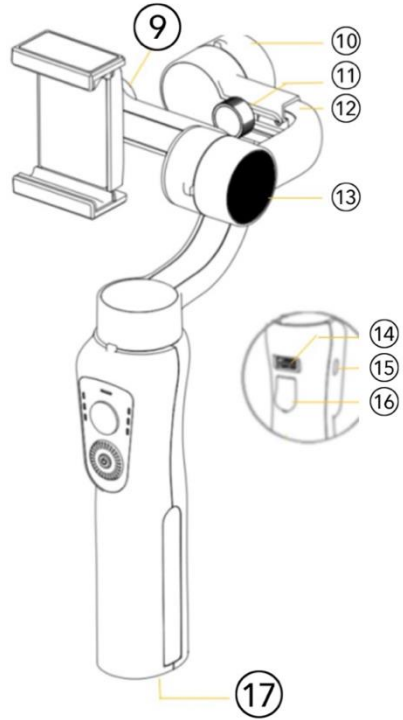
6.1 "AF" Pan and Tilt Mode

6.2 "HF" Pan Mode

6.3 "LF" Lock Mode

7. Switch On / Switch Off / Mode

8. Zoom control via Gimbal Pro App



9. Bracket adjustment

10. Roll motor:

Vertical rotation

11. Balance screw:

Balance smartphone/camera

12. Adjustable arm:

Adjust arm until smartphone/camera is straight

13. Tilt motor:

Horizontal rotation

14. USB power output:

Charging smartphone/camera via the gimbal
(via USB cable)

15. USB port for charging the gimbal battery

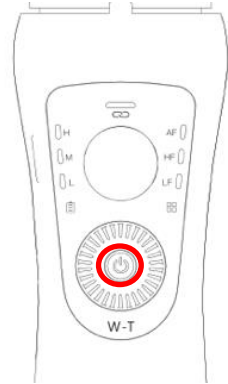
16. Shutter: Start of a recording

(only via Bluetooth connection)

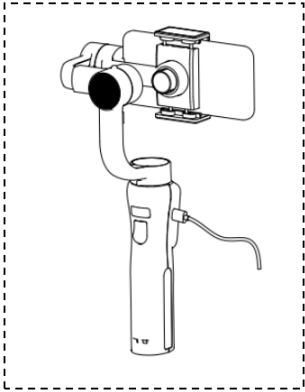
17. Tripod thread

Mode button functions

- 1. Press 1x briefly when switched off:**
Battery level display
- 2. Press long for 3 seconds:**
Switch on/switch off
- 3. Press 1x:**
Switch between the modes
- 4. Press 2x:**
Central alignment of the smartphone/action cam
- 5. Press 3x:**
Change from horizontal to vertical alignment



Charge the battery



A short press on the power on/mode button indicates the current battery level.

To charge the gimbal battery, connect the micro USB port on the side of the gimbal handle to a power source, such as a computer or mobile phone charger.

NOTE

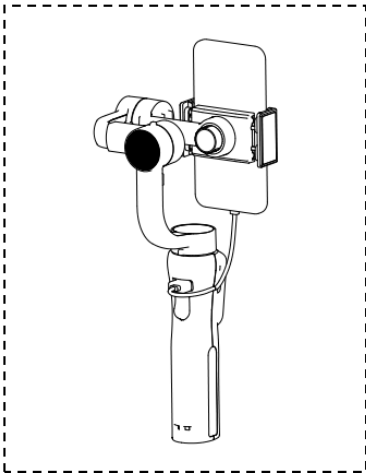
- Keep the gimbal away from flammable materials and do not place it on flammable surfaces. Never leave the battery unattended while charging to avoid accidents.
- Do not charge the battery immediately after use if the temperature of the gimbal is too high. Wait until the battery has cooled down to room temperature before charging it. Charging the battery at a temperature above 40°C or below 5°C may cause leakage, overheating or battery damage.

- Check the charger and the cable before use. Make sure that the housing, cable, plug or other parts are not damaged. Never use a damaged charger cable. Do not clean the charger with alcohol or other flammable solvents.
- Charging stops automatically when the battery is fully charged.

Use the gimbal as a powerbank

Charging a smartphone or camera via the gimbal:

The USB port on the back of the gimbal handle can be used to charge the smartphone / camera while using the device with the gimbal.



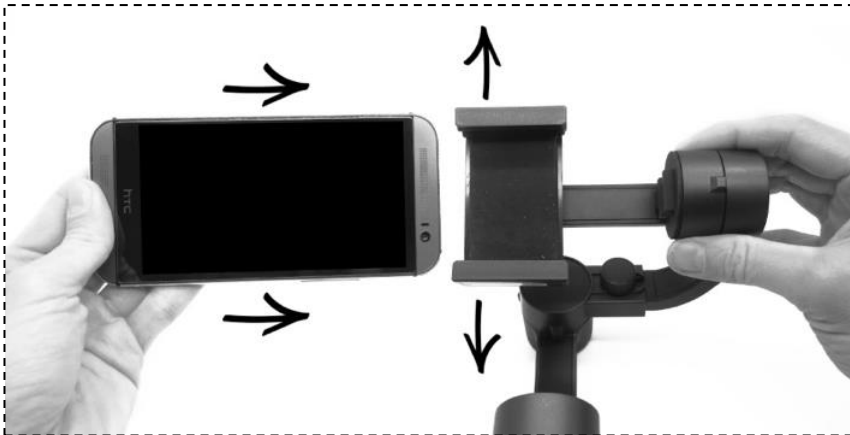
If the smartphone is attached horizontally to the clamp, an L-shaped charging plug is required.

Mount a smartphone

NOTE

Do not switch on the gimbal until you have mounted and adjusted the smartphone correctly. Changes to the position of the smartphone during operation can cause damage!

The gimbal is compatible with smartphones whose narrow side (width) measures between 6cm and 8.5 cm. Slide the cradle apart and push the smartphone to the right into the cradle until it touches the tilt motor.

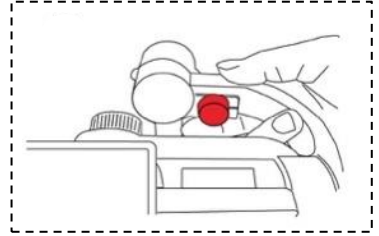


Step 1:

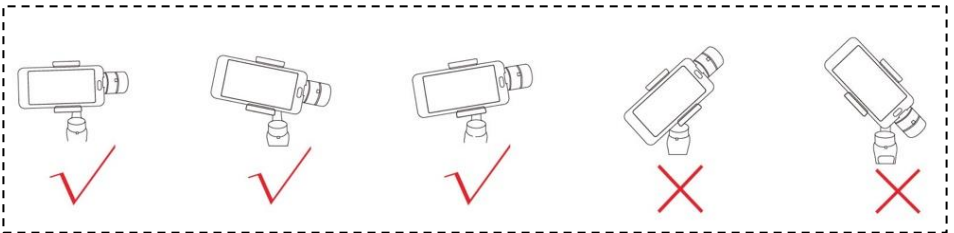
Adjust the bracket before switching on the gimbal.

Use the adjustment screw (11) and the adjustable arm (12) for adjustment.

Try to centre the weight slightly so that the smartphone is horizontal.



The smartphone should be fixed in the holder so far that it cannot fall out.



Step 2:

Switch on the gimbal by pressing and holding the on/off button for 3 seconds.

Once the gimbal is switched on, it will automatically align itself.

Mount an action cam

NOTE

Do not switch on the gimbal until the Action Cam adapter is properly attached and adjusted. Changes to the position during operation can lead to damage!

Step 1:

Please first mount the camera in the Action Cam adapter supplied.

Use the existing screws for fastening, as shown in the picture:



- Maximum dimensions for action cams: 6.5 x 4.5 x 2.7 cm.
- Maximum weight: 140g

Step 2:

Mount the adapter on the gimbal.

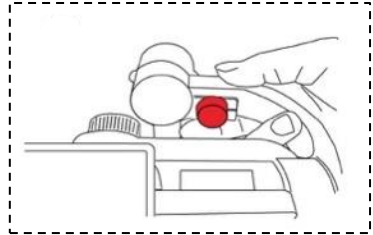
Slide the bracket apart and push the adapter with the camera to the right into the bracket until it touches the tilt motor.

Step 3:

Adjust the bracket before switching on the gimbal.

Use the adjustment screw (11) and the adjustable arm (12) for the adjustment.

Try to centre the weight slightly so that the camera is horizontal.



NOTE

Please note the orientation of the action camera when mounting it in the adapter:

For capturing images or video in front on the gimbal mount the camera in the adaptor upside down so that when the gimbal is switch on the camera can be rotated forward into the correct viewing position.

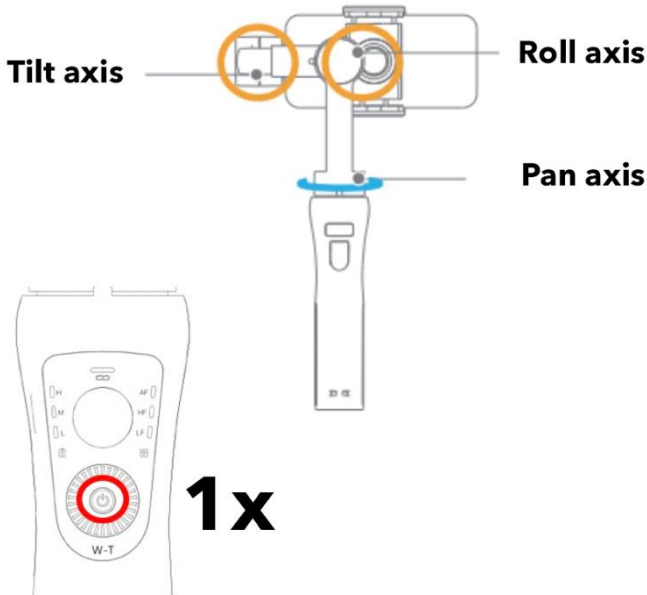
For selfie filming or photos, the camera should be mounted right side up as normal.

Step 4:

Switch on the gimbal by pressing and holding the on/off button for 3 seconds. Then point the camera forward by pushing the joystick (4) downwards.



Change the gimbal mode



The gimbal starts in "All Follow" mode "**AF**" by default each time it is switched on.

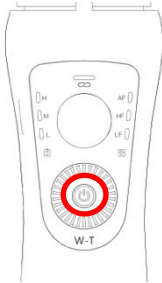
Press the power on/off/mode button 1x each to switch between modes.

- **"AF" All Follow Mode**
The rotation axis is locked.
Pan axis (left/right) and tilt axis (up/down) follow the movement of the handle.
- **"HF" Half Follow Mode**
Tilt axis and roll axis are locked.
Pan axis rotates (left/right) with the handle.
- **"LF" Lock Full Mode**
The pan, tilt and rotate axis are locked.
The camera remains still and stable and follows the movement of the handle.
- **"FPV" First-Person-View Mode**
(all 3 LEDs light up)
Pan, tilt and roll axis follow the movement of the handle.
- **Additionally: Fast Tracking Mode**
In this mode, the speed of the axis tracking is much faster than in the other four modes.

To use it, press the shutter button (16) and keep it pressed. The flashing "AF" LED indicates the fast tracking mode.

Central alignment

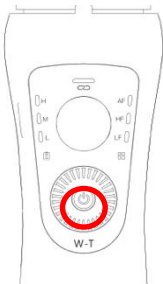
To automatically align your smartphone/action cam centrally, press the Power/Mode button 2x.



2x

Change from horizontal to vertical alignment

To switch between horizontal and vertical orientation, press the Power/Mode button 3 times.



3x

The orientation also changes when you tilt the gimbal 70° to the left or right.

NOTE

In "FPV" mode, the alignment adjustment is not possible.

Bluetooth connection

Via Bluetooth, you can conveniently start and stop your recording or take pictures by simply pressing the shutter button on the gimbal.

To do this, the smartphone must be connected to the gimbal via Bluetooth:

1. Switch on the gimbal.
2. Switch on the Bluetooth function of your smartphone.
3. Go to the Bluetooth settings and connect the smartphone to the gimbal (Device: GP5-MCB0).

Additional app functions

You can also use functions such as zoom, object tracking, motion time lapse and more via the **Gimbal Pro** App.

Install the app:

1. If you have never done this before, establish a Bluetooth connection between your smartphone and the gimbal, and then turn off the gimbal.

2. Scan the app QR code on the box or download the **Gimbal Pro** app from the AppStore or GooglePlay on your smartphone.
3. Install the app on your phone.
4. Place the phone in the Gimbal mount, then switch on the Gimbal.
5. Open the Gimbal Pro app on your phone and follow the on-screen instructions.

Box contents

- Gimbal
- Bracket for action cams
- Hardcase
- USB cable
- User manual (English/German)

Operating instructions in other languages are available for download at bit.ly/3IQY2pF

Or under:

<https://www.easypix.info/download-manuals/download/goxtreme-gimbal-gx3/>



Technical specifications

3-Axis Gimbal for Smartphones and Action Cams

Tilt angle	330°
Roll angle	180°
Pan angle	330°
Zoom control	Via Gimbal Pro App
Battery/Powerbank	4000 mAh
Bluetooth function	Yes
Operating temperature	0 to 40 C°
Controllable tilt angle	+155°/-155°
Controllable roll angle	+30°/-30°
Controllable pan angle	+155°/-155°
Operating voltage	3.4-4.2V (standard 3.7V)
Charging time	4-5 hours
Battery life	10-12 hours
Output/input voltage	5V/1A
Weight	450 g
Compatibility	<ul style="list-style-type: none">• Smartphones: 6 - 8.5 cm length on the narrow side, max. weight 250g• Action Cams: max. Size 6.5 x 4.5 x 2.7 cm, max. weight 140g

Gimbal dimensions	10.8 x 7 x 28.9 cm
App	Gimbal Pro for iOS 10.0 or higher / Android 6.0 or higher

Disposal



Removal of the packaging:

Dispose of the packaging according to its type.

Add cardboard and cardboard to the waste paper, film and plastic packaging to the recyclables collection.



Séparez les éléments avant de trier

IMBALLAGGIO ESTERNO PAP 22 Cartone carta	IMBALLAGGIO INTERNO PAP 22 Cartone carta
RACCOLTA DIFFERENZIATA	Verifica le disposizioni del tuo Comune. Svuotare l'imballaggio. Conferisci in raccolta il contenitore vuoto.



Waste electrical and electronic equipment and/or batteries disposed of by users in private households in the European Union:

This symbol on the product or its packaging means that it cannot be disposed of with household waste. You must take your old appliance and/or battery to the appropriate collection system for the recycling of electrical and electronic equipment and/or batteries. For more information on how to recycle this appliance and/or battery, please contact your local council, the shop where you purchased the appliance or your household waste disposal service. Recycling materials helps to conserve natural resources and ensures that recycling is done in a way that protects human health and the environment.



WARNING

Warning regarding the batteries:

- Do not disassemble or hit the battery . Make sure that the battery is not short-circuited. Do not expose the battery to high temperatures. Do not continue to use the battery if it leaks or expands.
- Keep the battery away from children.
- Batteries can explode if exposed to an open fire. Never throw batteries into a fire.
- Dispose of used batteries according to local regulations.
- Before disposing of the unit, remove the battery and dispose of it separately.

Declaration of conformity



CE Declaration of Conformity

We hereby declare that the appliance is in conformity with the essential requirements and other relevant provisions of Directives 2014/53/EU and 2011/65/EU & (EU) 2015/863.

The full text of the EU Declaration of Conformity can be found in German and English at:

www.easypix.info/download/pdf/doc-gx3.pdf

EASYPPIX | LIFESTYLE
ELECTRONICS