

EASYPIX 35

COMPACT FLASH CAMERA



USER MANUAL

- FR :** Un manuel dans votre langue est disponible sur Internet:
- IT:** Il manuale nella sua lingua può essere trovato su Internet:
- ES:** Puede encontrar un manual en su idioma en Internet:
- PT:** Um manual em seu idioma pode ser encontrado na Internet:
- PL:** Instrukcję w swoim języku możesz znaleźć na stronie:
- SWE:** En handbok på ditt språk finns på Internet:
- NL:** Een handleiding in uw taal vindt u op internet:

bit.ly/2WERgXg

www.easypix.info/download-manuals/download/easypix35

Table of contents

General information.....	3
Explanation of symbols	4
Product description.....	4
Intended use.....	5
Restrictions	5
Safety Instructions	6
Operating environment.....	7
Camera description.....	8
Setting up and using your camera	9
Step 1: Insert the battery	9
Step 2: Inserting the 35mm film.....	10
Step 3: Taking photos	12
Step 4: Removing the film	14
Technical specifications.....	16
Box contents	17
Disposal	18
Declaration of conformity	19

Disclaimer

Easypix makes no representations or warranties with respect to this manual and, to the extent permitted by law, expressly limits its liability for breach of any warranty that may arise from replacement of this manual by another. Furthermore, Easypix reserves the right to revise this publication at any time without obligation to notify any person of the revision.

Easypix is not responsible or liable for the misuse of the information contained herein. If you have suggestions for improvement or changes or if you have found errors in this publication, please let us know.

All relevant state, regional and local safety regulations must be observed when installing and using this product. For safety reasons and to ensure compliance with the documented system data, only the manufacturer may carry out repairs on components.

Failure to observe this information may result in personal injury or equipment damage.

Copyright © Easypix GmbH

All rights reserved.

No part of this publication may be reproduced, distributed or transmitted in any form or by any means, including photocopying, recording or other electronic or mechanical means, without the prior written permission of the publisher. For permission requests, please contact the publisher in writing.

Easypix GmbH, Em Parkveedel 11, 50733 Cologne,
Germany.

support@easypix.eu - www.easypix.eu

General information

Please read this manual and its safety instructions before using this product. Follow all instructions. This will prevent hazards that could result in property damage and/or serious injury.

The product may only be used by persons who have fully read and understood the contents of this user manual. Make sure that each person using the product has read and follows these warnings and instructions.

Keep all safety information and instructions for future reference and pass them on to subsequent users of the product.

The manufacturer is not liable for damage to property or personal injury resulting from incorrect handling or failure to observe the safety instructions.

Explanation of symbols



WARNING

"Warning" indicates a hazard with a risk which, if not avoided, may result in injury.

NOTE!

"Note" indicates information that is considered important but is not hazard-related.

Product description

EASYPIX35 is a 35mm reusable analogue camera with built in flash. Using 35mm film, the camera provides a more tactile, analogue experience while embracing imperfection to deliver a lo-fi aesthetic to your favourite images. EASYPIX35 comes with a wrist strap and is powered by a single AA battery (not included).

Intended use

This product is suitable for use while enjoying time spent with friends or family or when simply taking in all the beauty that the outdoors has to offer.

Restrictions



WARNING

The product is not suitable for children under 3 years of age. Contains small parts. Risk of suffocation.



WARNING

The product is not waterproof.
It should not be immersed under water or used in wet conditions.

Safety Instructions



WARNING

This product is only suitable for the purpose described. The manufacturer is not liable for damage caused by improper use.



WARNING

Please read these operating instructions carefully before use.

- Always protect your camera from falls, bumps and shocks.
- Keep a sufficient distance from objects that generate strong magnetic fields or radio waves to prevent them from damaging the product or affecting the picture quality.
- In the unlikely event of overheating, smoke or unpleasant odours coming from the unit remove the AA battery immediately and discontinue use.
- Please do not disassemble the product. Doing so will void any warranty.
- Please dispose of the waste and residues at the end of the product's life in accordance with local laws and regulations.

Operating environment

- To avoid condensation inside or behind the lens, the product should not be exposed to large differences in temperature and humidity.
- Store the product in a cool place (at room temperature) in a dry and dust-free environment and never expose it to high temperatures or prolonged exposure to direct sunlight.
- Protect the product from falls, bumps and knocks.

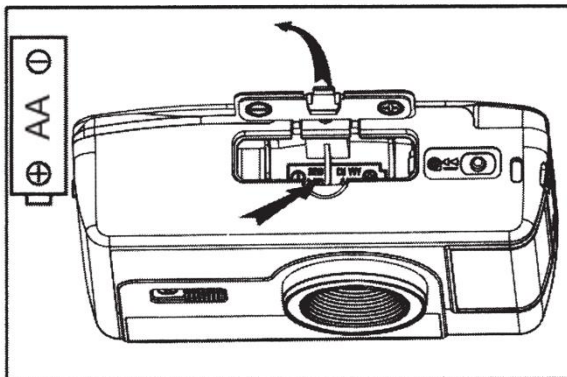
Setting up and using your camera

NOTE!

To ensure optimum performance from your camera, please follow the steps below when using the camera:

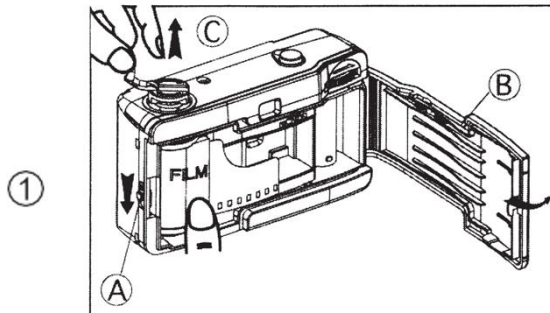
Step 1: Insert the battery

- Open the battery compartment cover in the direction indicated by the arrow.
- Insert 1 x AA battery into the battery compartment
- Ensure that the battery is inserted observing the correct polarity.
- The correct polarity (the “+” and “-” ends of the battery) is indicated on the inside of the battery compartment.

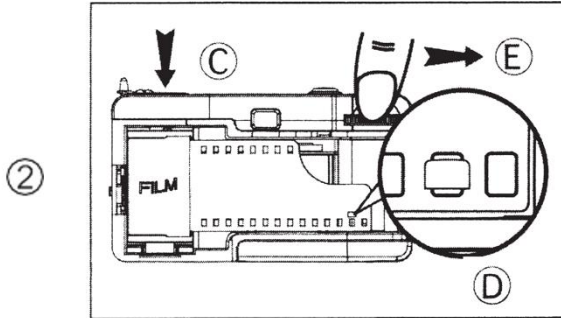


Step 2: Inserting the 35mm film

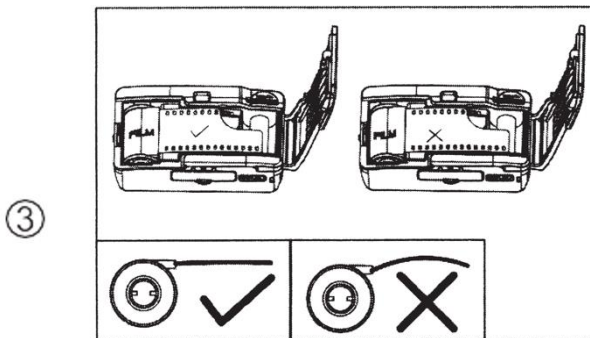
- Press latch (A) in the direction of the arrow to open the film compartment door (B) as shown in Fig.1
- Lift up the film rewind handle (C) and place a new roll of film into the film compartment.



- With the film now inserted, push the rewind handle (C) back into place as shown in Fig 2.
- Pull out the film from the film cartridge and position the second hole of the film strip onto the film take-up spool (D).
- Slightly advance the film by turning the film advance wheel (E)

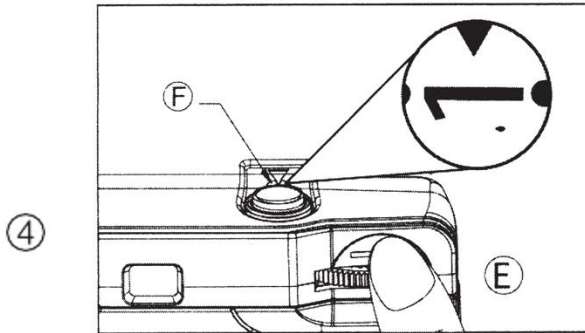


- Ensure that the film lays flat against the centre of the film compartment as shown in Fig 3 and close the cameras back door.



- After closing the cameras back door, continue to advance the film by turning the film advance wheel (E) until it stops as shown in Fig 4.
- Press the shutter button
- Repeat this procedure one more time (film advance and shutter press)
- The film counter (F) will show the number “1”

indicating that the camera is now ready to take its first photo.

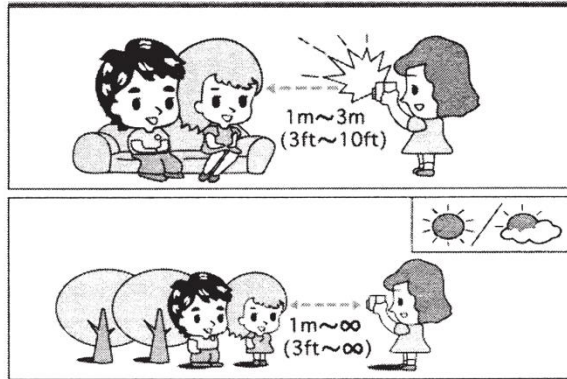


Step 3: Taking photos

For best results stand at least 1 metre (3 feet) from the subject and take your photos in well lit conditions.

When taking photos in sunny or partly sunny weather, keep the sun at your back.

⑤

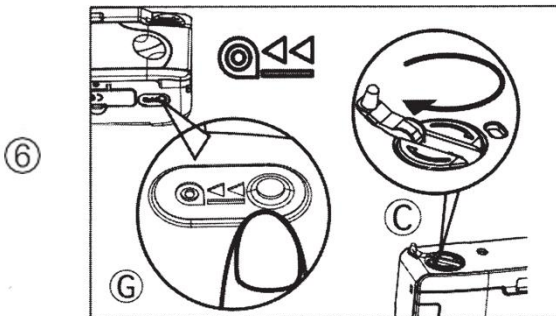


- Where required you can use the flash function by activating the flash (K) using the flash on/off button (P)
- To turn on the flash, slide the flash button to the “⚡” position
- When turned on please wait for the flash ready indicator (O) to illuminate to indicate that the flash is ready for use.
- After taking a flash photo please wait for the flash ready indicator (O) to illuminate again before taking your next flash photo.
- In the case where the flash (K) does not activate or the flash ready indicator does not illuminate please replace the AA battery and try again.

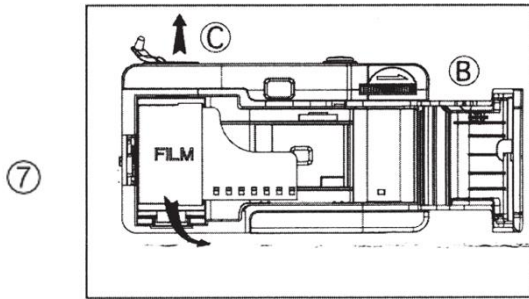
Step 4: Removing the film

When the maximum number of photos have been taken as indicated by the number of exposures on your film cartridge, it is time to remove the film from the camera.

- Press the rewind button (G) located on the bottom of the camera.
- Turn the film rewind handle (C) clockwise until all of the film is re-wound back into the film cartridge.



- Open the back door (B)
- Lift up the film rewind handle (C), and remove the film for processing.



NOTE!

Before rewinding, please press the shutter release button to take the last photo.

After rewinding, the rewind button can be unlocked by simply pressing the shutter button.

Technical specifications

Film format	135 / 35mm Film 24 x 36mm ISO200/400
Optics	28mm F8 Single element
Focus	1m - ∞
Shutter speed	1/120s
Film transport	Manual wind and rewind
View finder	Field = 70°
Power source	1 x AA Alkaline battery (Not included)
Dimensions	118(W) x 66(H) x 42(D)mm
Weight	110g
Housing	ABS Plastic

Box contents

- Camera
- Wrist strap
- User manual (EN/DE)

Operating instructions in other languages are available for download at **bit.ly/2WERgXg** or www.easypix.info/download-manuals/download/easypix35

NOTE!



Devices marked with this symbol must not be disposed of with

household waste!

You are legally obliged to dispose of old appliances as well as batteries and accumulators separately from household waste.

Information on collection points that accept used devices/batteries free of charge is available from your local authority or town council.

Disposal



Disposal of packaging:

Dispose of the packaging according to its type.

Add cardboard and paperboard to the waste paper, foils and plastic wrapping to the recyclable waste collection.



Waste electrical and electronic equipment and/or batteries disposed of by users in private households in the European Union:



This symbol on the product or on its packaging indicates that it cannot be disposed of with household waste. You must dispose of your old appliance and/or battery by handing it over to the applicable collection system for the recycling of electrical and electronic equipment and/or batteries. For more information on recycling this device and/or battery, contact your local council, the shop where you purchased the device or your household waste disposal service. Recycling materials helps to conserve natural resources and ensures that it is recycled in a way that protects human health and the environment.



WARNING

Warning regarding batteries:

- Do not disassemble or hit the battery. Be careful not to short-circuit the battery. Do not expose the battery to high temperatures. Do not continue using the battery if it leaks or expands.

- Keep the battery away from children.
- Batteries can explode if exposed to an open fire.
Never throw batteries into fire.
- Dispose of used batteries according to local regulations.
- Before disposing of the device, remove the battery and dispose of it separately.

Declaration of conformity



We hereby declare that the CE marking has been affixed to this product in accordance with the essential requirements and relevant provisions of the European directives.

The declaration of conformity can be downloaded here:
www.easypix.info/download/pdf/doc_easypix35.pdf