





easyPix®



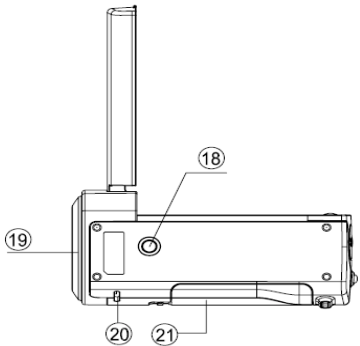
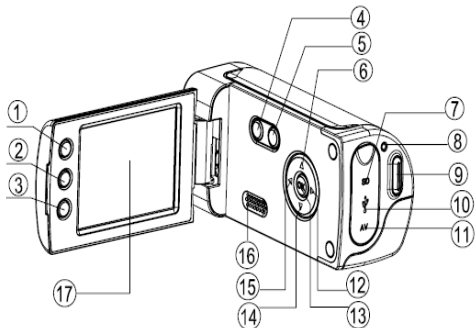
DVC5127

User's Manual

1	Display button
2	LED On / Off button
3	Mode button
4	Power button
5	Menu button
6	UP button 
7	SD card slot
8	Power LED
9	Shutter button
10	USB jack
11	AV jack
12	Right/Selftime button 
13	OK button
14	Down button 
15	Left button 
16	Speaker
17	LCD screen
18	Tripod socket
19	Lens
20	Wrist strap

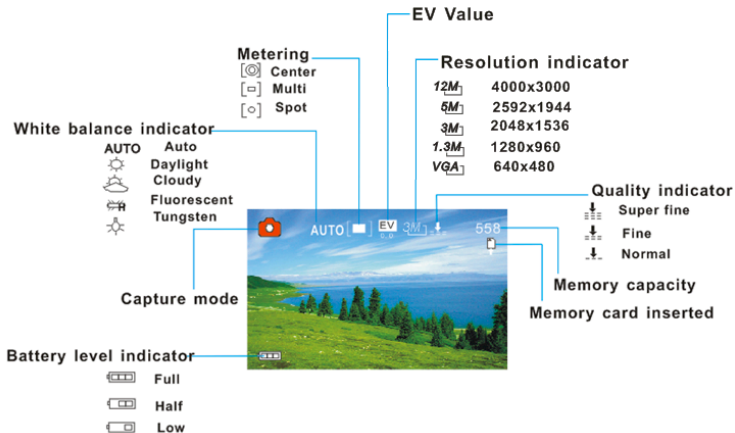
1. Product Overview

21	Battery cover
----	---------------

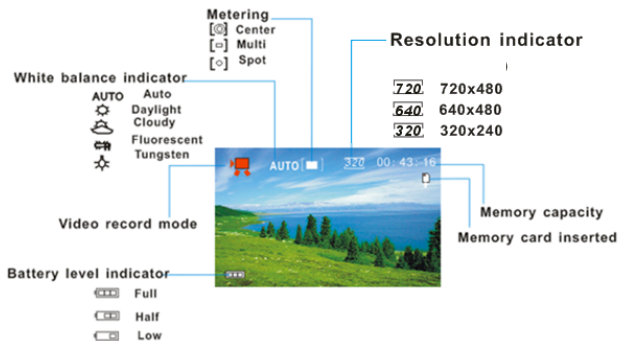


2. Monitor Screen Display

Capture mode



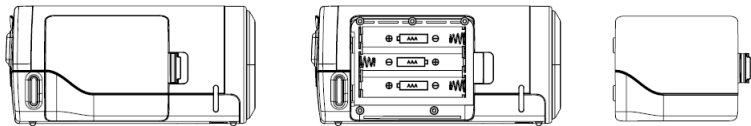
Video record mode



3. Preparations

Installing the Battery

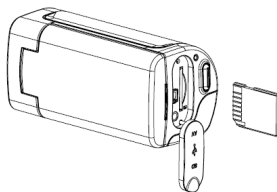
1. Open the video camera battery door.
2. Insert three AAA-size batteries with the positive (+) and negative (-) poles matching the directions indicated on the battery cover.
3. Close the battery door.



Inserting the Memory Card

This digital video camera has no internal memory, it can't take pictures and video clips. if you want to record files please use a SD or MMC card. Turn off the camera before inserting or removing the memory card. Be sure to orient the card correctly when inserting it.

1. Turn off the video camera.
2. Find the rubber cover at the back of the video camera, open the rubber, and then you will see the SD card slot;
3. Insert the memory card as illustrated.




4. Using This Video Camera

Turning the Camera On and Off

1. Open the LCD panel.
2. To turn on the camera, hold the **POWER** button until the LCD screen turns on.
3. Hold the **POWER** button again will turn the camera off.

Taking still images

1. Turn on the video camera.
2. Press the **MODE** button to set the video camera to capture mode, the icon  appears on the LCD screen.
3. Use the LCD screen to frame your subject.
Hold the video camera steady and then press the **SHUTTER** button completely down to take a picture.

Recording Video Clip

- 1: Turn the video camera on and set it to video record mode.
- 2: Press the **SHUTTER** button to start recording. Press the **RIGHT** button to have a pause and press it again to continue.
- 3: Press the **SHUTTER** button again to end the recording.

After reaching a max. video recording time of 29 minutes the camera will automatically stop. It can only be restarted manually.

If the memory is full the video camera will stop recording automatically.

Recording Audio

- 1: Turn the video camera on and set it to audio record mode.
- 2: Press the **SHUTTER** button to start recording. Press the **UP** button to have a pause and press it again to continue.
- 3: Press the **SHUTTER** again to end the recording. If the memory is full the video camera will stop recording automatically.

5. *Playback*

Playback Still Image

1: Turn the camera on, and then press the **MODE** button until the camera enter playback mode.

The latest recorded file appears on the LCD screen. If there are no images stored, a message [No Image] appears.

2: Press the **LEFT** or **RIGHT** button to preview the previous or next image.

Playing Back Movie Clips

1: Press the **LEFT** or **RIGHT** button to select the movie clips you want to playback in playback mode.

2: Press the **Shutter** button to start playing. Press the **MENU** button to end playing. Press the **UP** button to pause it and press it again to continue. Press the **RIGHT** button to fast forward and press the **LEFT** button to reverse.

Playing Back Audio Files

- 1: Press the **LEFT** or **RIGHT** button to select the audio file you want to playback.
- 2: Press the **Shutter** button to start playing. Press the **MENU** button to end playing. Press the **UP** button to pause it and press it again to continue. Press the **RIGHT** button to fast forward and press the **LEFT** button to back forward.

6. *Connections to TV / PC*

Connecting the Camera to a TV

Connect the video camera and the TV via the supplied cable. Then power on the TV and video camera. The video camera's LCD screen turns black, and the TV screen now performs as the camera LCD screen.

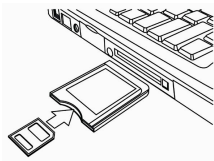
1. Connect the video camera to a TV via the TV-out cable (supplied) .
2. Turn on the TV and the video camera, and then set the TV to "AV" mode.

3. When the video camera is set to record mode, you can preview the subjects you want to record on the TV screen.
4. When the video camera is set to Playback mode, you can review all the pictures, video and audio clips stored in the video camera on the TV.

Connecting the Camera to a PC

There are two ways to download files from the video camera's memory card to a computer:

- By inserting the memory card into a card reader
- By connecting the camera to a computer using the supplied USB cable.



Using a Card Reader

1: Eject the memory card from the video camera and insert it into a card reader that is connected to a computer.

- 2: Open [My Computer] or [Windows Explorer] and double-click the removable disk icon that represents the memory card.
- 3: Copy images from the card into a directory of your choice on the computer's hard disk.

Connecting the Camera to a PC with the USB Cable

- 1: Set the USB mode to [MSDC] mode.
- 2: Connect the supplied USB cable to the computer's USB port and turn on the video camera. A message "MSDC" appears on the screen when connection to the computer has been successfully completed.
- 3: Open [My Computer] or [Windows Explorer]. A "Removable Disk" appears in the drive list. Double-click the "Removable Disk" icon to view its contents. Files stored on the camera are located in the folder named "DCIM".
- 4: Copy the photos or files to your computer.

7. Specifications

Sensor	5MegaPixels CMOS
Display	2.7" TFT Color LCD
Focus range	150cm ~ Infinity
Aperture	F3.2, Fixed Focus
Shutter	Electronic Shutter: 1/2 ~ 1/1024 sec.
Resolution	Still Image 12M(4000x3000)5M(2592X1944)/3M(2048X1536)/ 1.3M(1280x960)/VGA(640X480) Video: 720X480/640X480/320X240
Sensitivity	Auto
White balance	Auto / Daylight / Tungsten / Fluorescent / Cloudy
Exposure control	-2EV to +2EV in 0.3 Step
Burst	Included
Photo effect	Normal/B&W/Sepia/Negative/Red/Green/Blue
Self-timer	2 / 10 seconds.

Storage	External Memory: SD / MMC / SDHC Memory Card Supported Up to 8GB
TV system	NTSC / PAL
Power Supply	AAA (alkaline/ 1.5V) Battery x 3
Ambient temperature	Operating: 0° C to 40° C Storage: -20 to 60° C
Microphone	Built-in
Speaker	Built-in
Dimension	Camera Body: 4.43" x 2.2" x 2.13"
Weight	Camera Body w/o battery: 0.42 lbs

Note: The product design and the specifications are subject to change without notice.

System requirements:

Windows 98SE/2000/ME/XP/Vista/Win7

CPU: Pentium III 800MHz or above

Memory: 64 MB memory or above

Disk space: Min. 128 MB space available

DECLARATION OF CONFORMITY

*easypix hereby declares that the product DVC5127 is in conformity to all the essential requirements of Directive 1999/5/EC. The declaration of conformity can be downloaded here: http://www.easypix.info/download/pdf/doc_dvc5127_trip_easypix_gmbh.pdf
For technical help please visit our support area on www.easypix.eu.*



Only EU

easypix®
LIFESTYLE ELECTRONICS