

Bird Camera and Feeder

USER MANUAL

FR : Un manuel dans votre langue est disponible sur Internet:

IT: Il manuale nella sua lingua può essere trovato su Internet:

ES: Puede encontrar un manual en su idioma en Internet:

PT: Um manual em seu idioma pode ser encontrado na Internet:

PL: Instrukcję w swoim języku możesz znaleźć na stronie:

SV: En handbok på ditt språk finns på Internet:

NL: Een handleiding in uw taal vindt u op internet:

bit.ly/birdycam



Table of content

General instructions.....	4
Explanation of symbols.....	4
Product information	5
Intended use	5
Declaration and proven safety.....	6
Restrictions	6
Safety instructions	7
Operating environment	8
Storage environment	8
Product description	9
First use.....	11
Step 1: Charge the device	11
Step 2: Insert memory card	11
Step 3: Format the memory card.....	13
Power ON/OFF	14
Switching the modes.....	15
Settings	16
Photo mode	17
Video mode.....	18
Photo + Video mode	19
Playback mode.....	20
Mounting	21
Filling the feed	23
File transfer	25
Technical specifications.....	26

Box contents 27
FAQ..... 29
Disposal..... 36
Declaration of conformity..... 38

Disclaimer

Easypix makes no representations or warranties with respect to this manual and, to the maximum extent permitted by law, expressly limits its liability for breach of any warranty that may be implied to the replacement of this manual with another.

Furthermore, Easypix reserves the right to revise this publication at any time without incurring an obligation to notify any person of the revision.

Easypix is not responsible or liable for misuse of the information that is contained herein. If you have any suggestions for improvements or amendments or have found errors in this publication, please notify us.

All pertinent state, regional, and local safety regulations must be observed when installing and using this product. For reasons of safety and to help ensure compliance with documented system data, only the manufacturer shall perform repairs to components.

Failure to observe this information can result in injury or equipment damage.

Copyright © by Easypix GmbH

All rights reserved. No part of this publication may be reproduced, distributed, or transmitted in any form or by any means, including photocopying, recording, or other electronic or mechanical methods, without the prior written permission of the publisher. For permission requests, please write to the publisher below.

Easypix GmbH, Em Parkveedel 11, 50733 Köln, Germany
support@easypix.com • www.easypix.com

General instructions

Read this manual and its safety instructions before using this product. Follow all the instructions.

This will avoid fire, explosions, electric shocks or other hazards that may result in damage to property and/or severe or fatal injuries.

The product shall only be used by persons who have fully read and understand the contents of this user manual.

Ensure that each person who uses the product has read these warnings and instructions and follows them.

Keep all safety information and instructions for future reference and pass them on to subsequent users of the product.

The manufacturer is not liable for cases of material damage or personal injury caused by incorrect handling or non-compliance with the safety instructions.

Explanation of symbols



WARNING

Warning indicates a hazard with a medium level of risk which, if not avoided, could result in serious injury.

NOTICE

"Notice" indicates information that is considered important but is not hazard-related.

Product information

This device is a bird feeder and automatic camera in one. Equipped with a highly sensitive pyroelectric PIR sensor, it detects any movement within 3 metres. When a bird or other animal moves in front of the lens, the camera is automatically activated to take photos or high-resolution video.

Intended use

This unit is designed for outdoor use. It is rainproof, so it is protected from water and can be attached to a tree, bush, etc. making it ideal for use in the garden.

In addition to the built-in rechargeable battery, the unit has a dual solar panel that provides continuous power when there is adequate sun shining.

NOTICE

The unit is designed and configured for use in daylight. Night time recordings are therefore not visible.

Declaration and proven safety

The product has been verified in accordance with the essential requirements and other relevant provisions of Directives 2014/30/EU, 2011/65/EU & (EU) 2015/863. Its safety complies with the requirements of the relevant national regulations.

Restrictions



WARNING

The product is not suitable for children under 3 years because of choking hazard.

- Contains small parts, in order to avoid swallowing, please ensure any use by children is undertaken with adult supervision.
- Ensure all parts are not exposed to extreme temperatures.

Safety instructions



WARNING

This product is only suitable for the purpose described, the manufacturer is not liable for damage caused by abnormal use.



WARNING

Please read this instruction manual carefully before use.
Keep all small parts out of the reach of small children.
If you think this product is damaged in any way, please do not use the product.

- Fill the unit with dry food only.
- Do not allow moisture to build up inside the unit or fill it.
- Clean the unit carefully with a dry cloth.

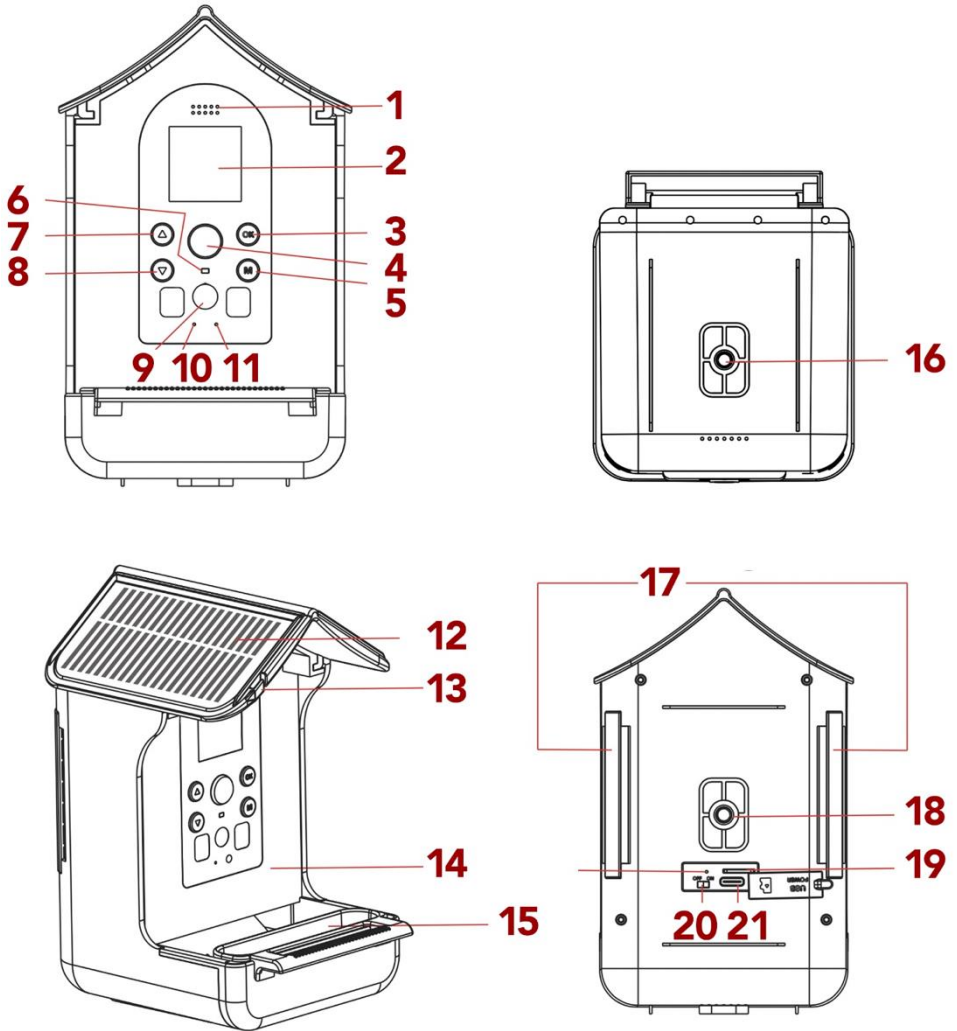
Operating environment

- Please peel off the transparent protective film from the lens and screen before first use.
- Protect the product from falls, bumps and knocks.
- Do not expose the product to abnormally high or low temperatures.
- Not suitable for night recording.

Storage environment

- Store the product at room temperature in a dry and dust-free place.
- Do not expose it to direct sunlight or unusually high or low temperatures.

Product description



- [1] Speaker**
- [2] Display**
- [3] OK/Activate Recording**
- [4] PIR Sensor**
- [5] Mode**
- [6] Indicator Light**
- [7] Up**
- [8] Down**
- [9] Lens**
- [10] Mic**
- [11] Charging Indicator**
- [12] Solar Panels**
- [13] Hole for hanging feed**
- [14] Food Bin**
- [15] Water Trough**
- [16] Bracket Screw Hole**
- [17] Strap Mounts**
- [18] Bracket Screw Hole**
- [19] Card Slot**
- [20] Power Switch**
- [21] USB (Type-C)**

First use

NOTICE

To ensure optimum performance from your device, please follow the steps below when using it for the first time.

Step 1: Charge the device

Remove the silicone protective cap on the port and charge the device with the USB cable. During the charging process, the charging indicator [11] lights up.

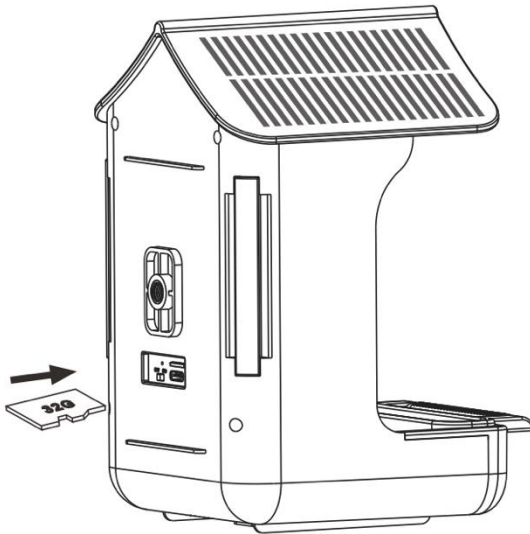
The device features a solar panel that will continuously charge it. If there are extended periods without adequate sunlight then the device must be charged again via the USB port.

Step 2: Insert memory card

The Birdy Cam supports the use of memory cards up to a maximum capacity of 32GB.

- Insert the memory card into the memory card slot [19] ensuring that the card is being inserted in the right direction.
- The card should be inserted smoothly with a small spring action required to secure it in place.

- If there is resistance when inserting the card or use of force is required, stop and check the card is being inserted the right way up.
- Close the silicone protective cap.



NOTICE

The device will not operate normally unless the TF card is inserted correctly.

Step 3: Format the memory card

- To ensure the optimum performance of the card it should be formatted before using it for the first time.
- Enter the 'Format' settings in the user menu to complete the formatting process.

NOTICE

The formatting process deletes any data or files currently on the card.

Please ensure important files are backed up before formatting the card for use with the Birdy Cam.

Power ON/OFF

Slide the power switch [20] to ON to turn the device on, then press the mode button [5] and the UP/DOWN buttons [7/8] to select the mode. Confirm with OK [3].

You can choose from the following modes:

- **Photo** (the unit will only take photos)
- **Video** (the unit will only record videos)
- **Photo + Video** (the unit takes photos and videos)
- **Playback**
- **Settings** (General settings options for use)

After selecting the mode, the device is immediately ready to use and will automatically start recording whenever there is movement in front of the lens.

During a recording, the indicator [6] lights up blue.

To turn the device off, slide the power switch [20], to the OFF position.

Switching the modes

Press the mode button [5] and the UP/DOWN buttons [7/8] to select the mode. Confirm with OK [3].

You can choose from the following modes:

- **Photo (for photos only)**
- **Video (for video only)**
- **Photo + Video (for photos and videos)**
- **Playback**
- **Settings**

To return, press the Mode button.

NOTICE

After selecting the mode, the device is immediately ready to use and will automatically start recording whenever there is movement in front of the lens.

NOTICE

If the screen is deactivated, press any button for 2-3 seconds to reactivate the screen.

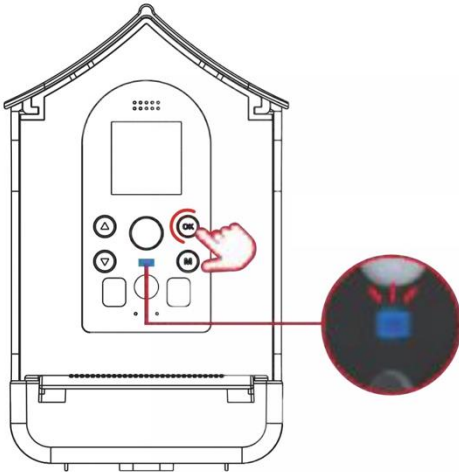
Settings

Function	
Format	Format the SD card before using it for the first time.
Default Settings	Reset the unit to factory default settings.
Language	Select your language.
Video Loop	Set the duration of video recordings. (10 sec / 30 sec / 1 min / 3 min)
Screensaver	Deactivate the screen to save energy. (Off / 1 minute / 2 min / 3 min)
Auto Power Off	Turn the unit off automatically . (Off / 3 min / 5 min)
Burst	Set the number of photos to take. (3 / 5 / 10 photos in a row)
Photo Resolution	Set the resolution of your photos. (3M / 5M / 8M / 12M)
Video Resolution	Set the resolution of your videos. (VGA / 720p / 1080p)
Date/Time	Set the date and time with the UP/DOWN keys (7/8) and confirm with OK (3).

Photo mode

NOTICE

First press the Mode button [5], go to “Settings” / “Burst” to select the number of photos to be taken: 3, 5, 10 or photos. The selected number of photos will be taken automatically when a bird moves in front of the lens.



- Press the mode button [5] and the UP/DOWN buttons [7/8] to select the **Photo mode**.
- Confirm with OK [3].

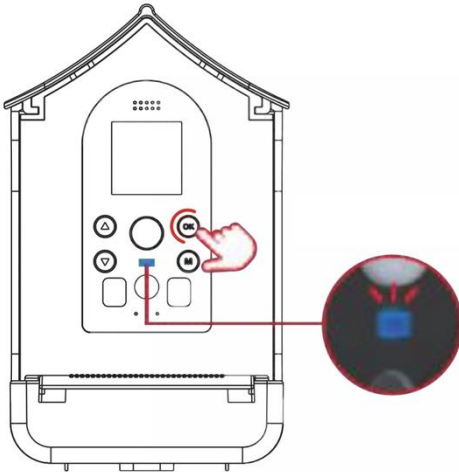
After selecting the mode, the device is immediately ready to use and will automatically start recording whenever there is movement in front of the lens.

During a recording, the indicator [6] lights up blue.

Video mode

NOTICE

First press the Mode button [5], go to “Settings” / “Video Loop” to select the duration of your videos (10 seconds / 30 seconds / 1 minute / 3 minutes). This video will be taken automatically when a bird moves in front of the lens.



- Press the mode button [5] and the UP/DOWN buttons [7/8] to select the **Video mode**.
- Confirm with OK [3].

After selecting the mode, the device is immediately ready to use and will automatically start recording whenever there is movement in front of the lens.

During recording, the indicator [6] lights up blue.

Photo + Video mode

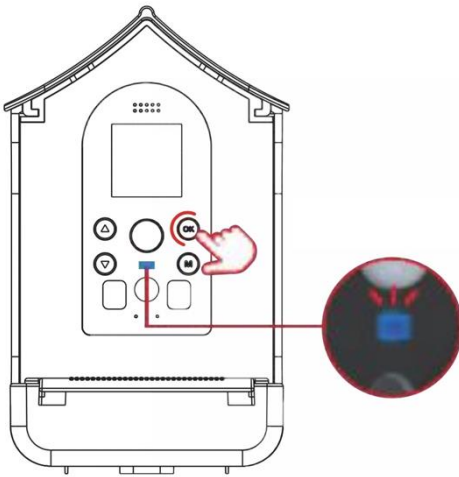
NOTICE

First press the Mode button [5], go to “Settings” / “Burst” to select the number of photos to be taken

(3, 5, 10 or photos).

Then go to “Settings” / “Video Loop” to select the length of your videos (10 sec / 30 sec / 1 min / 3 min).

If a bird moves in front of the lens, the set number of photos is taken automatically, followed by the video.



- Press the mode button [5] and the UP/DOWN buttons [7/8] to select the **Photo + Video mode**.
- Confirm with OK [3].

After selecting the mode, the device is immediately ready to use and will automatically start recording whenever there is movement in front of the lens.

During a recording, the indicator [6] lights up blue.

Playback mode

Press the mode button [5] and the UP/DOWN buttons [7/8] to select the **Playback mode**.

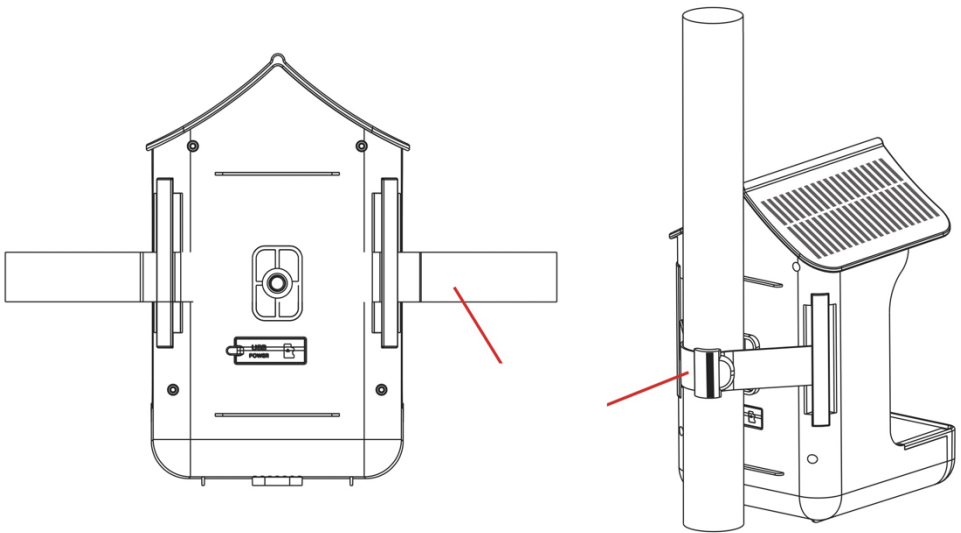
Confirm with OK [3].

- Press the UP/DOWN buttons [7/8] to view the files.
- Press the OK button [3] to start/stop playing video.
- Press the Mode Button [5] to exit a video.
- Press and hold the UP button [7] to delete a file and confirm with OK.
- Press and hold the DOWN button [8] to delete ALL files and confirm with OK.

Mounting

Option 1: Using the strap

Push the strap through the mount supports.
Attach the feeder to the tree trunk with the strap.

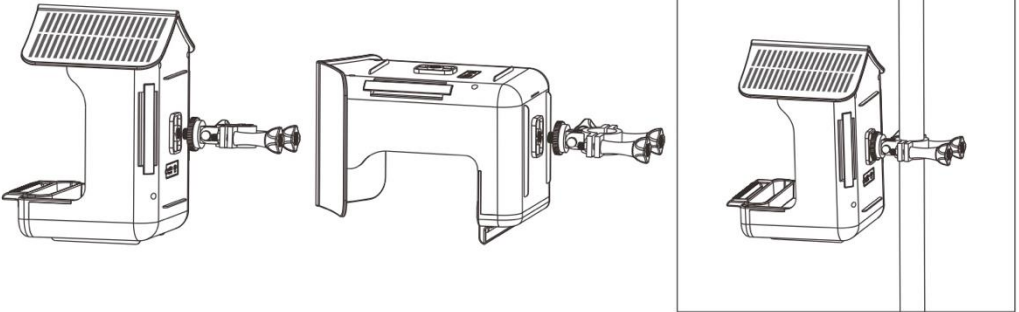
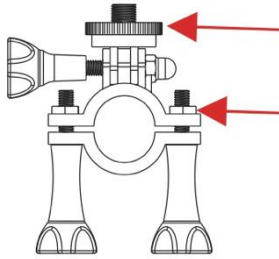


Option 2: Using the pole bracket

There are tripod mounting holes on the back and bottom of the unit.

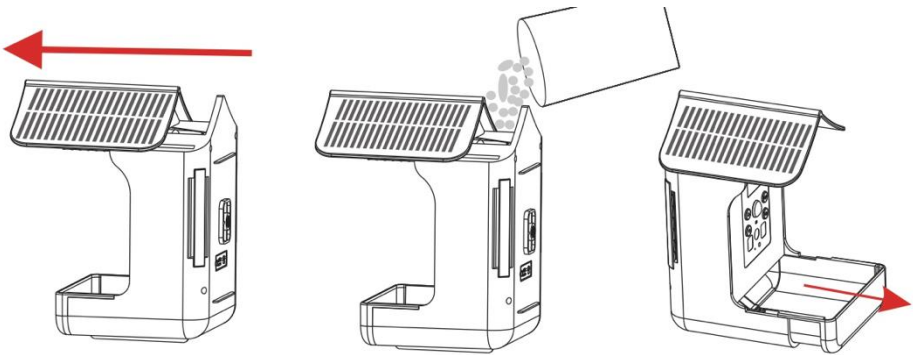
Choose a suitable mounting orientation and attach the adapters to the support, then you can easily attach it to the feed.

Attach the bracket to a tree trunk or pole.



Filling the feed

- 1) Slide the roof door from back to front to open the feed cover.
- 2) Place the food in the food container.
- 3) Slide the top roof door from front to back and close the food compartment cover.
- 4) The feed bowl can be pulled out and extended.



NOTICE

Please ensure that the food is not damp and that it is kept dry.

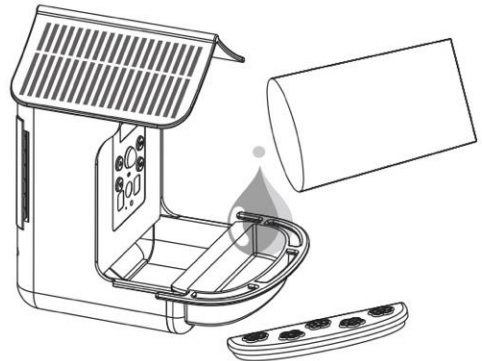
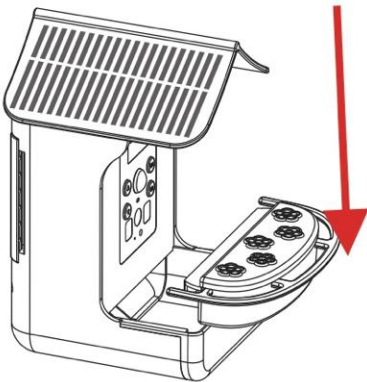


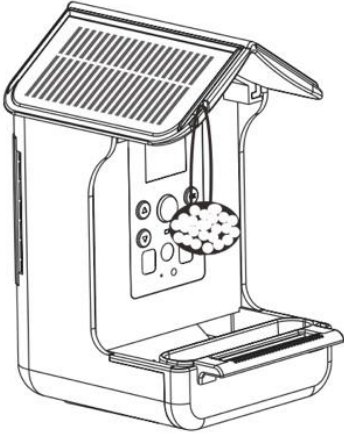
Pour water into the trough:
Attach the water trough and pour water into the trough.

[Alternatively instead of the water]

Place the nectar feeder:

Attach the nectar feeder. Remove the cap from the nectar feeder, add nectar and cover the top.





Hanging the food:

Tie the food to the rope and attach the other end of the rope to the hanging hole on the feeder [13].

File transfer

There are two options for transferring your files to your computer.

Option 1:

Leave the card in the device and connect the USB cable to the computer. The device must be switched on for data transfer.

Option 2:

Remove the SD card from the device and insert it into the USB port on your computer. Copy the videos and photos from the DCIM folder to your computer.

Technical specifications

Housing	Rain-Waterproof
Space for food	For approx. 250g of grain food
Sensor	1.3 MP CMOS
Photo Resolution	3M* / 5M* / 8M* / 12M*
Video Resolution	VGA / 720p / 1080p*
Display	1.44"/3.6cm IPS
Lens	Fixed Focus
Automatic Motion Detection	Yes
PIR Sensing Distance	Up to 3 meters
PIR Sensing Trigger Time	0.8 sec
Recording Modes	Photo / Video / Photo + Video
Video Length	10 sec / 30 sec / 1 min / 3 min
Photo Burst	3 / 5 / 10 photos
Auto Power Off	Yes
Microphone	Built-in
File Format	AVI, JPG

Interface	USB Type-C
Double Solar Panels	Light intensity: 38000-40000, about 8 hours full charge
Battery	1200mAh Lithium Battery built-in

(*by interpolation)

Box contents

- 1) Bird camera and feeder
- 2) Strap
- 3) USB cable
- 4) Water sink
- 5) Mount adaptor
- 6) Pole mount
- 7) Nectar feeder
- 8) User's instructions
(EN/DE)



①



②



③



④



⑤



⑥



⑦



⑧

Operating instructions in other languages are available for download at **bit.ly/birdycam**

or

www.easypix.info/download-manuals/download/birdycam/



FAQ

Problem: Camera does not start recording.

1. Possible cause: The camera is not turned on.

Make sure the camera is switched on. To turn on the BirdyCam, slide the on/off switch on the back to "ON". Then press the mode button on the front and use the arrow buttons to select the desired mode (Photo/Video/Photo+Video). Press OK to confirm.

2. Possible cause: The battery is empty.

The BirdyCam is equipped with a solar panel that charges the battery continuously. If there is not enough sunlight over a long period of time, you will need to take the device home to charge it via USB. Use the supplied USB cable to charge.

3. Possible cause: There is no memory card is inserted.

Please insert a MicroSD card (max. 32GB speed class U1) into the memory card slot on the back of the unit and format it by selecting "Settings" and then "Format" using the arrow buttons. Press OK to confirm.

4. Possible cause:

The size or speed class of the MicroSD card is too high.

The BirdyCam supports memory cards up to a maximum capacity of 32GB and a maximum speed class of U1. The BirdyCam will only work properly if the card does not exceed this size and is inserted correctly.

Insert the memory card into the card slot on the back of the device and format the card by selecting "Settings" and then "Format" using the arrow keys. Press OK to confirm.

Problem: The camera only captures one image/video.

Possible cause:

The size or speed class of the MicroSD card is too high.

The device will only work correctly if the memory card does not exceed the maximum capacity of 32 GB and the maximum speed class of U1. Please use a suitable MicroSD card.

Insert the card into the memory card slot on the back of the device and format the card by selecting "Settings" and then "Format" using the arrow keys. Press OK to confirm.

If the device hangs after using a larger memory card, please reset it to the factory settings. To do this, use the arrow keys to select "Settings" and then "Default settings".

Press OK to confirm.

This will reset the camera to default settings and the menu will appear in the default language of English.

You can change the language in "Settings" / "Language".

Does the "Photo+Video" mode record photos and videos simultaneously?

No. In the Photo + Video mode, the photos and the video clips are recorded one after the other. For example: With a default setting of 3 burst photos and a 10 sec video loop, 3 photos will automatically be recorded first, followed by 10 seconds of video.

Which card should I use?

The BirdyCam supports memory cards up to a maximum capacity of 32GB and a maximum speed class of U1. The device will only work correctly if the card does not exceed this size and is inserted correctly.

Do I need to format the card?

Yes, the card must be formatted in the device before first use. Insert the card into the memory card slot on the back of the device and format it by selecting "Settings" and then "Format" using the arrow keys. Press OK to confirm.

How to mount the BirdyCam?

Option 1: Strap mounting

Thread the supplied strap through the mounting holes. This is how you can attach the BirdyCam to the trunk of a tree by using the strap.

Option 2: Mounting with the bracket

There are tripod holes on the back and bottom of the unit. Attach the supplied bracket with adapter to one of the two holes and secure the bracket to a suitable branch, bush or pole.

How to view recordings?

Option 1: In playback mode on the camera.

Press the Mode button and arrow keys to switch to Playback mode. Press OK to confirm.

Use the arrow keys and OK button to select, play and stop files.

To delete a file, press and hold the Up arrow button. Press OK to confirm.

Press and hold the down arrow button to delete ALL files. Press OK to confirm.

Option 2: Using a USB cable.

Leave the memory card in the device and connect the BirdyCam to the computer using the USB cable. The device must be turned on for data transfer.

Option 3: Using the memory card.

Remove the memory card from the device and insert it into the memory card slot on your computer. Copy the videos and photos to your computer.

Does the BirdyCam battery need to be charged regularly?

The battery should always be charged before first use. To do this, connect the supplied USB cable to the USB port on the back of the device. The charging indicator on the back will light up during the charging process.

As the BirdyCam is equipped with a solar panel that charges it continuously, regular charging is not necessary. Ideally, the charging indicator on the back of the BirdyCam should light up continuously as the panel is constantly charging.

However, if there is insufficient sunlight over a long period of time, you will need to take the unit home and charge it using the USB cable supplied.

Why are there no animals in some recordings?

When a bird or other animal moves in front of the lens, the BirdyCam triggers and starts recording within 0.8 seconds. Admittedly, 0.8 seconds is fast - but some animals are even faster! It can therefore happen that an animal triggers the recording, but then flies or jumps away so quickly that it can no longer be seen in the photo or video.

Why do the recordings differ in quality?

The BirdyCam is weatherproof, that means it protects the food from rain. However, it is exposed to changing weather conditions, which can lead to differences in the quality of the recordings. In very humid conditions (such as sometimes at night or in the early hours), the lens can easily fog up. This leads to a deterioration in image quality. However, this is only temporary. The image quality will automatically improve when the weather conditions change again, for example when the air becomes warmer or drier.

Is the BirdyCam a night vision device?

Can it record at night?

No. The BirdyCam does not have an infrared function. It is therefore not possible to make recordings in the dark.

Why don't the animals eat the feed?

Make sure you are using the right food. If necessary, ask a pet shop which food is recommended for the animals in your garden.

Also check regularly that the food is still fresh and dry. If the food has not been eaten for a long period of time, you should replace it with new food or offer the animals a different type of food.

Disposal



Disposal of packaging:

Dispose of the packaging according to its type.

Add cardboard and paperboard to the waste paper, foils and plastic wrapping to the recyclable waste collection.

IMBALLAGGIO ESTERNO PAP 20 Cartone carta	IMBALLAGGIO INTERNO PAP 20 Cartone carta
RACCOLTA DIFFERENZIATA	Verifica le disposizioni del tuo Comune. Svuotare l'imballaggio. Conferisci in raccolta il contenitore vuoto.



Séparez les éléments avant de trier



Waste electrical and electronic equipment and/or batteries disposed of by users in private households in the European Union:

This symbol on the product or on its packaging indicates that it cannot be disposed of with household waste. You must dispose of your old appliance and/or battery by handing it over to the applicable collection system for the recycling of electrical and electronic equipment and/or batteries. For more information on recycling this device and/or battery, contact your local council, the shop where you purchased the device or your household waste disposal service. Recycling materials helps to conserve natural resources and ensures that it is recycled in a way that protects human health and the environment.



WARNING

Warning regarding batteries:

- Do not disassemble or hit the battery. Be careful not to short-circuit the battery. Do not expose the battery to high temperatures. Do not continue using the battery if it leaks or expands.
- Keep the battery away from children.
- Batteries can explode if exposed to an open fire. Never throw batteries into fire.
- Dispose of used batteries according to local regulations.
- Before disposing of the device, remove the battery and dispose of it separately.

Declaration of conformity



EU Declaration of conformity

We hereby declare that the product is in conformity with the essential requirements and other relevant provisions of Directives 2014/30/EU and 2011/65/EU & (EU) 2015/863.

The full text of the EU Declaration of Conformity can be found in German and English at:

www.easypix.info/download/pdf/doc-birdycam.pdf

EASYPIX | LIFESTYLE
ELECTRONICS